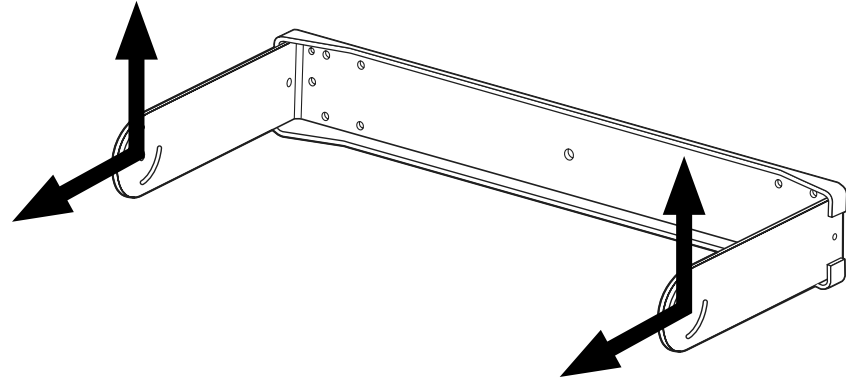


Working Load Limits

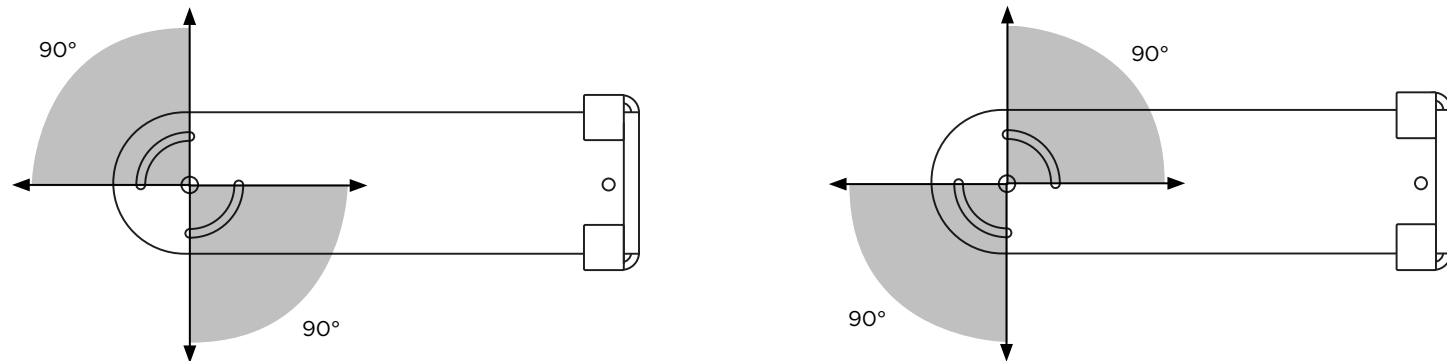
Single Point, 10:1 Working Load Limit (in accordance with ANSI E1.8-2012)



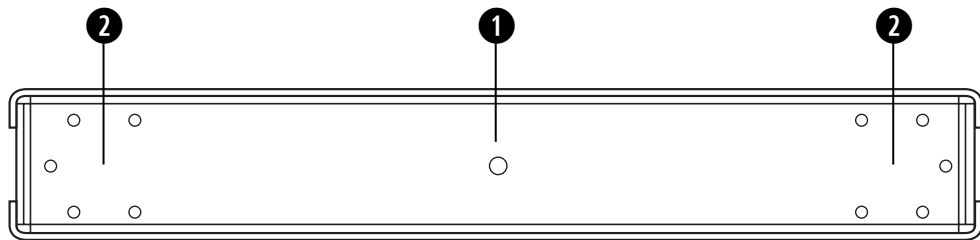
ArenaMatch Full-Range DeltaQ Array
AMUBRKT - U-bracket
for use with AM10, AM20, AM40
WLL = one AM module (40 kg [85 lbs])

Pitch Adjustment Range

The length of the bracket arms allow for 360° of rotation. However, the loudspeaker cannot be secured unless it is within the 90° rotation of each curved slot. The bracket orientation must be selected prior to installation to allow the loudspeaker to be fixed at your desired pitch. See the diagram below for example bracket orientations.



Mounting Methods



The center mounting hole (1) is intended for single-point attachment to third-party support structures such as lighting-pole mounting kits. Use both the left and right mounting holes (2) to attach bracket to wall and ceiling surfaces.

Installing the U-bracket



WARNING: The loudspeaker and all mounting components must be inspected annually by a qualified professional who is trained and certified in suspending loudspeaker systems. All rigging parts and components used in the suspension of the loudspeaker system should be visually inspected for signs of cracking, bending, water damage, corrosion, de-lamination, or any other condition that could compromise the system's integrity and create a dangerous falling hazard.

1. Secure the U-bracket via your chosen mounting method.
Note: Ensure the bracket is installed in the correct orientation to allow for desired direction of loudspeaker install. Ensure that your chosen mounting method meets any necessary safety requirements.
2. Remove the plastic plugs in the center of either side of your loudspeaker module.
3. Apply adhesive-backed rubber gaskets aligned over mounting holes.
4. Secure the loudspeaker module to the bracket using the center inserts and included M10 hardware.
5. Adjust the loudspeaker module to your desired angle.
6. Secure the loudspeaker module by inserting the two M6 rotation-locking screws into the correct curved slots.
Note: Torque all the screws to 20.3 to 27.1 newton-meters (15 to 20 pound-feet).

