



FreeSpace 3

Series II Acoustimass Bass Module
Flush-mount Satellites
Surface-mount Satellites


Installation Guide	2	Monteringsveiledning	56
Guía de instalación	11	Instrukcja montażu	65
Notice d'installation	20	安裝指南	74
Installationsanleitung	29	安裝指南	83
Guida all'installazione	38	設置ガイド	92
Installatiehandleiding	47	101	دليل التركيب

Please read and keep all safety and use instructions.


This product is intended for installation by professional installers only! This document is intended to provide professional installers with basic installation and safety guidelines for this product in typical fixed-installation systems. Please read this document and all safety warnings before attempting installation.

Do not attempt to service this product yourself. Refer all servicing to authorized service centers, installers, technicians, dealers or distributors. To contact Bose Professional or to find a dealer or distributor near you, visit **PRO.BOSE.COM**.

1. Read these instructions.
2. Keep these instructions.
3. Heed all warnings.
4. Follow all instructions.
5. Do not use this apparatus near water.
6. Clean only with a dry cloth.
7. Do not block any ventilation openings. Install in accordance with the manufacturer's instructions.
8. Do not install near any heat sources such as radiators, heat registers, stoves, or other apparatus (including amplifiers) that produces heat.
9. Only use attachments/accessories specified by the manufacturer.



WARNINGS/CAUTIONS



This product contains magnetic material. Consult your physician on whether this might affect your implantable medical device.

- All Bose products must be installed in accordance with local, state, federal and industry regulations. It is the installer's responsibility to ensure installation of the loudspeakers and mounting system is performed in accordance with all applicable codes, including local building codes and regulations. Consult the local authority having jurisdiction before installing this product.
- Unsafe mounting or overhead suspension of any heavy load can result in serious injury or death, and property damage. It is the installer's responsibility to evaluate the reliability of any mounting method used for their application. Only professional installers with the knowledge of proper hardware and safe mounting techniques should attempt to install any loudspeaker overhead.
- Do not mount the product in locations where it may be exposed to water or condensation.
- This product is not intended for installation or use in indoor water facility areas (including, without limitation, indoor pools, indoor water parks, hot tub rooms, saunas, steam rooms and indoor skating rinks).
- Do not mount on surfaces that are not sturdy, or that have hazards concealed behind them, such as electrical wiring or plumbing. If you are not sure about installing the bracket, contact a qualified professional installer.
- Use only the hardware and accessories included or specified by Bose. Hardware for securing the mounting bracket to the mounting surface is not supplied. For information on compatible accessories, see the product's technical data sheet at **PRO.BOSE.COM**.
- Do not place or install the product near any heat sources, such as fireplaces, radiators, heat registers or other apparatus (including amplifiers) that produce heat.
- Keep the product away from fire and heat sources. Do not place naked flame sources, such as lighted candles, on or near the product.
- Do not make unauthorized alterations to this product.
- Do not expose loudspeaker or mounting components to any chemical substances that are not specified by Bose, including but not limited to lubricants, cleaning agents, contact sprays, or other hydrocarbon-based solvents. Exposure to such substances can lead to degradation of the plastic material, resulting in cracking and creating a falling hazard.
- Clean speakers using only a dry cloth. Do not expose loudspeaker to soap, detergent, mineral oil, alcohol or other cleaning agents or chemicals.


Product Ratings

	Input Voltage	Impedance	Current/Power
Series II Acoustimass Bass Module	70V/100V	6 Ω mono direct, transformer bypassed	25W, 50W, 100W, 200W
Flush-mount Satellites	Not applicable	6 Ω	Not applicable
Surface-mount Satellites	Not applicable	6 Ω per channel (4-satellite system); 5 Ω per channel (2-satellite system)	Not applicable

Regulatory Information

CE This product conforms to all applicable EU directive requirements. The complete declaration of conformity can be found at: **www.Bose.com/compliance**.


UK CA This product conforms to all applicable Electromagnetic Compatibility Regulations 2016 and all other applicable UK regulations. The complete declaration of conformity can be found at: **www.Bose.com/compliance**

 This symbol means the product must not be discarded as household waste, and should be delivered to an appropriate collection facility for recycling. Proper disposal and recycling helps protect natural resources, human health and the environment. For more information on disposal and recycling of this product, contact your local municipality, disposal service, or the shop where you bought this product.

China Restriction of Hazardous Substances Table

Names and Contents of Toxic or Hazardous Substances or Elements						
Part Name	Toxic or Hazardous Substances and Elements					
	Lead (Pb)	Mercury (Hg)	Cadmium (Cd)	Hexavalent (CR(VI))	Polybrominated Biphenyl (PBB)	Polybrominated diphenylether (PBDE)
PCBs	X	0	0	0	0	0
Metal Parts	X	0	0	0	0	0
Plastic Parts	0	0	0	0	0	0
Speakers	X	0	0	0	0	0
Cables	X	0	0	0	0	0

This table is prepared in accordance with the provisions of SJ/T 11364.
 0: Indicates that this toxic or hazardous substance contained in all of the homogeneous materials for this part is below the limit requirement of GB/T 26572.
 X: Indicates that this toxic or hazardous substance contained in at least one of the homogeneous materials used for this part is above the limit requirement of GB/T 26572.



Taiwan Restriction of Hazardous Substances Table

Equipment name:		Type designation:				
FreeSpace 3 Series II Acoustimass Bass Module		040147, 040148				
FreeSpace 3 Flush-mount Satellites		040150, 040149				
FreeSpace 3 Surface-mount Satellites		040144, 040143				
Restricted substances and its chemical symbols						
Unit	Lead (Pb)	Mercury (Hg)	Cadmium (Cd)	Hexavalent chromium (Cr+6)	Polybrominated biphenyls (PBB)	Polybrominated diphenyl ethers (PBDE)
PCBs	-	o	o	o	o	o
Metal Parts	-	o	o	o	o	o
Plastic Parts	o	o	o	o	o	o
Speakers	-	o	o	o	o	o
Cables	-	o	o	o	o	o

Note 1: "o" indicates that the percentage content of the restricted substance does not exceed the percentage of reference value of presence.
Note 2: The "-" indicates that the restricted substance corresponds to the exemption.

Date of Manufacture: The eighth digit in the serial number indicates the year of manufacture; "7" is 2007 or 2017.

China Importer: Bose Electronics (Shanghai) Company Limited, Level 6, Tower D, No. 2337 Gudai Rd. Minhang District, Shanghai 201100

UK Importer: Bose Limited Bose House, Quayside Chatham Maritime, Chatham, Kent, ME4 4QZ, United Kingdom

EU Importer: Bose Products B.V., Gorslaan 60, 1441 RG Purmerend, The Netherlands

Mexico Importer: Bose de México, S. de R.L. de C.V., Paseo de las Palmas 405-204, Lomas de Chapultepec, 11000 México, D.F. For importer & service information: +5255 (5202) 3545

Taiwan Importer: Bose Taiwan Branch, 9F-A1, No. 10, Section 3, Minsheng East Road, Taipei City 104, Taiwan. Phone Number: +886-2-2514 7676

Bose Corporation Headquarters: 1-877-230-5639

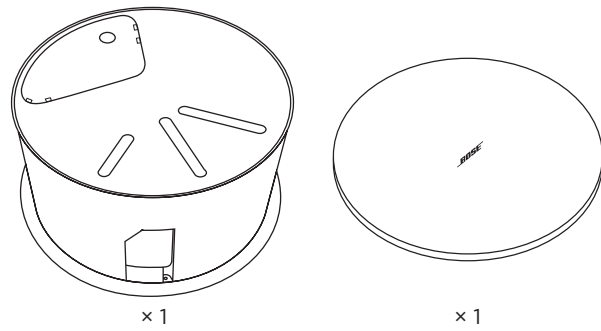
Bose, Acoustimass, DesignMax, FreeSpace, and Panaray are trademarks of Bose Corporation. ©2022 Bose Corporation. No part of this work may be reproduced, modified, distributed or otherwise used without prior written permission.

Warranty Information

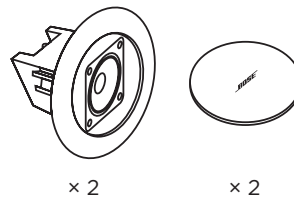
This product is covered by a limited warranty. For warranty details, visit **PRO.BOSE.COM**.

Package Contents

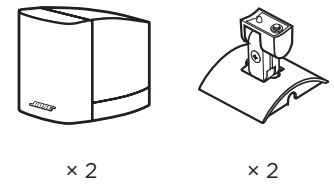
Series II Acoustimass Bass Module



Flush-mount Satellites

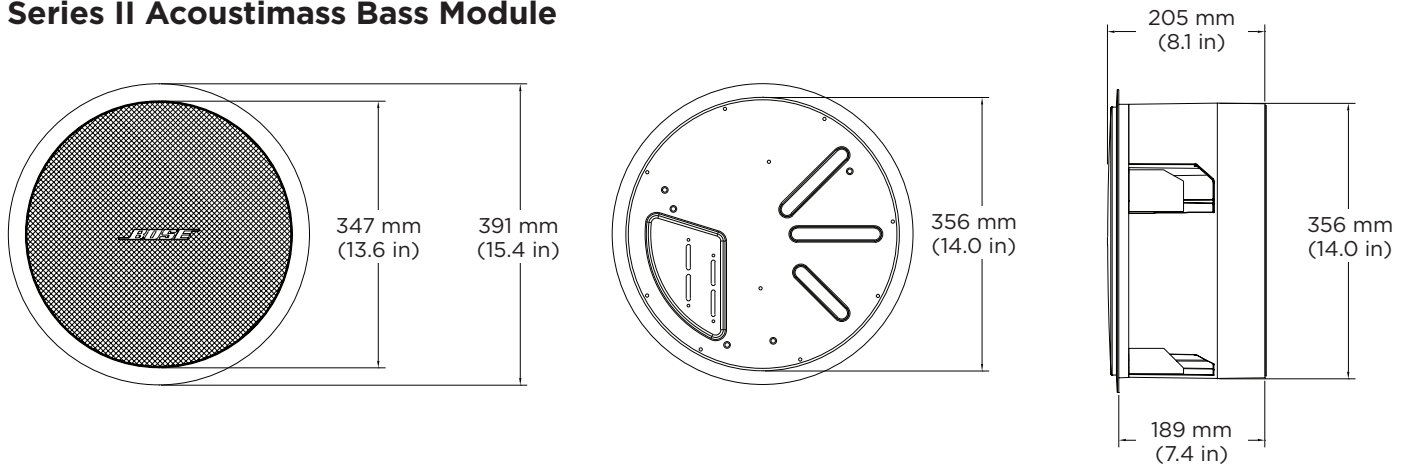


Surface-mount Satellites

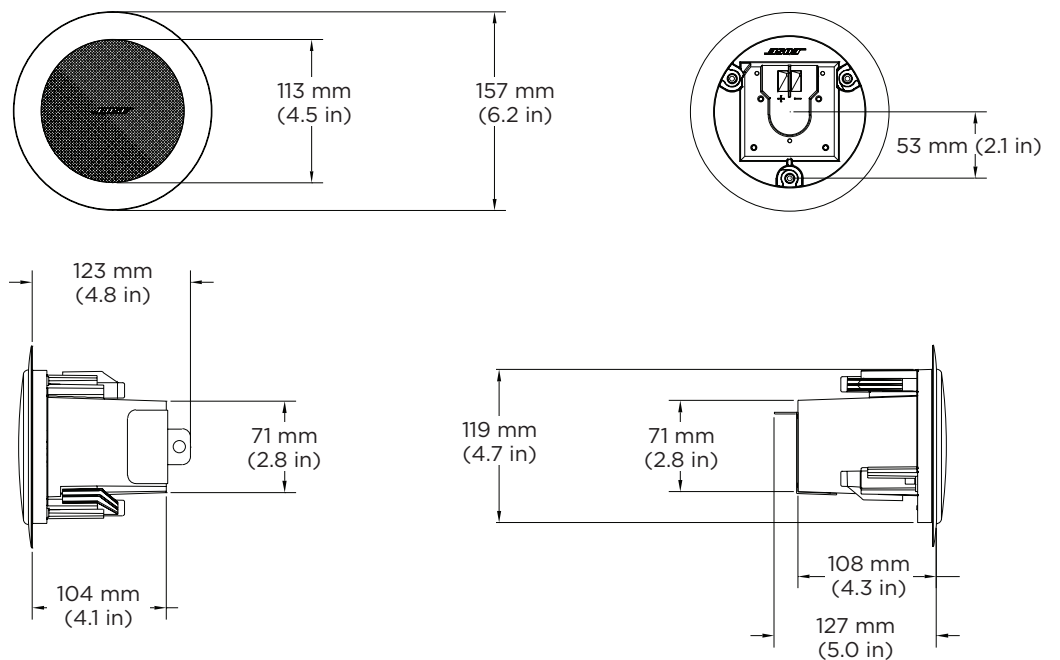


Product Dimensions

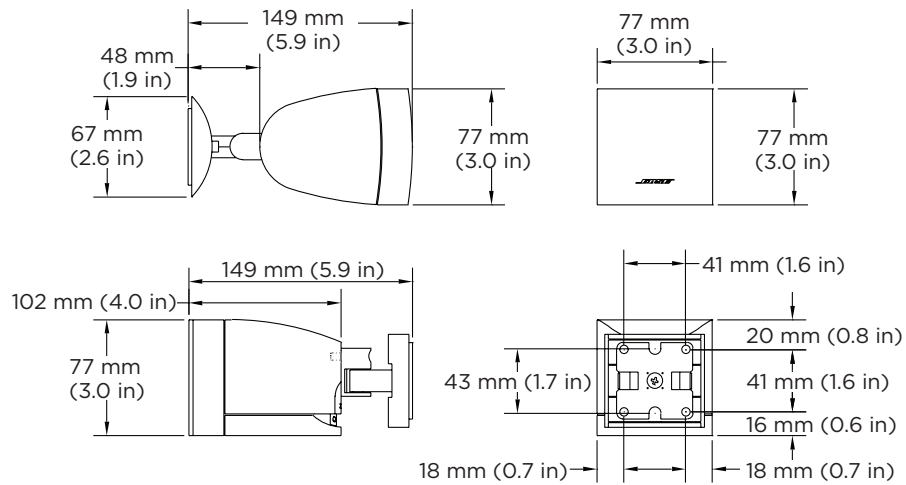
Series II Acoustimass Bass Module



Flush-mount Satellites



Surface-mount Satellites



Technical Specifications

For additional specification, instructions, and technical information about any FreeSpace loudspeaker, visit [bosepro.link/freespace](https://www.bosepro.link/freespace).

	Series II Acoustimass Bass Module	Flush-mount Satellites	Surface-mount Satellites
Product Dimensions			
Height × Width	391 mm (15.4 in.) (outer flange diameter)	157 mm (6.2 in.) (outer flange diameter)	77 × 77 mm (3.0 × 3.0 in.)
Depth	190 mm (7.5 in.)	123 mm (4.8 in.)	Without bracket: 102 mm (4.0 in.) With bracket: 149 mm (5.9 in.)
Ceiling Dimensions			
Hole Diameter	362 mm (14.3 in.)	127 mm (5.0 in.)	Not applicable
Maximum Thickness	48 mm (1.8 in.)	38 mm (1.5 in.)	Not applicable
Weight			
Net	6.4 kg (14.0 lb)	0.9 kg (1.9 lb)	0.8 kg (1.8 lb)
Shipping	9.1 kg (20.0 lb)	2.3 kg (5.0 lb)	1.8 kg (4.0 lb)

Safety & Regulatory Compliance

The Bose Freespace-3 Series II Acoustimass Module and Flush-mount Satellites are UL listed for safety as:

- General Purpose Loudspeakers per UL1480, UL Category UEAY, File Number S 5591
- Suitable for use indoors in damp locations.

Suitable for installation using Class 1, Class 2 or Class 3 wiring methods in accordance with NFPA 70, National Electric Code, 2002, Article 640

Suitable for use in air handling plenum spaces when used with the PC-FS3B and PC-FS3F Plenum Cover Accessories:

- UL-2043, Fire Test and Visible Smoke Release for Discrete Products and their Accessories Installed in Air Handling Spaces
- NFPA-70, National Electrical Code, 2002, Article 300.22(C)
- NFPA 90A, 2002, Installation of Air Conditioning and Ventilation Systems, Paragraph 4.3.10.2.6.5

The Bose Freespace 3 Surface-mount Satellites described in this guide are not UL listed.



Important Installation Information



It is the installer's responsibility to ensure installation of the loudspeakers and mounting system is performed in accordance with all applicable codes, including local building codes and regulations. Consult the local authority having jurisdiction before installing this product.

It is the responsibility of the installer to ensure the safety of the loudspeaker installation. Failure to properly install the loudspeaker could result in damage, injury, or death.

Do not mount the product in locations where it may be exposed to water or condensation.

This product is not intended for installation or use in indoor water facility areas (including, without limitation, indoor pools, indoor water parks, hot tub rooms, saunas, steam rooms and indoor skating rinks).

Do not block any ventilation openings. Install in accordance with the manufacturer's instructions.

Do not install near any heat sources such as radiators, heat registers, stoves, or other apparatus (including amplifiers) that produces heat. Keep the product away from fire and heat sources. Do not place naked flame sources, such as lighted candles, on or near the product.

Do not mount on surfaces that are not sturdy, or that have hazards concealed behind them, such as electrical wiring or plumbing. If you are not sure about installing the bracket, contact a qualified professional installer. Ensure the bracket is installed according to local building codes.

The hardware for securing the loudspeaker to the mounting surface is not supplied. Consult a building professional for the proper mounting hardware before installing the loudspeaker.

Do not expose loudspeaker or mounting components to any chemical substances that are not specified by Bose, including but not limited to lubricants, cleaning agents, contact sprays, or other hydrocarbon-based solvents. Exposure to such substances can lead to degradation of the plastic material, resulting in cracking and creating a falling hazard.

Installation Options

Series II Acoustimass Bass Module

Required

- ❶ FreeSpace 3BF Bass Loudspeaker Rough-In Pan or
- ❷ FreeSpace 3BF Bass Loudspeaker Tile Bridge

Optional

- ❸ FreeSpace 3BF Bass Loudspeaker Pendant-mounting Kit
- ❹ FreeSpace 3BF Bass Loudspeaker Surface-mount Kit
- ❺ FreeSpace 3BF Bass Loudspeaker Plenum Cover
- ❻ FreeSpace Omni Pendant-mount Kit

Flush-mount Satellites

Required

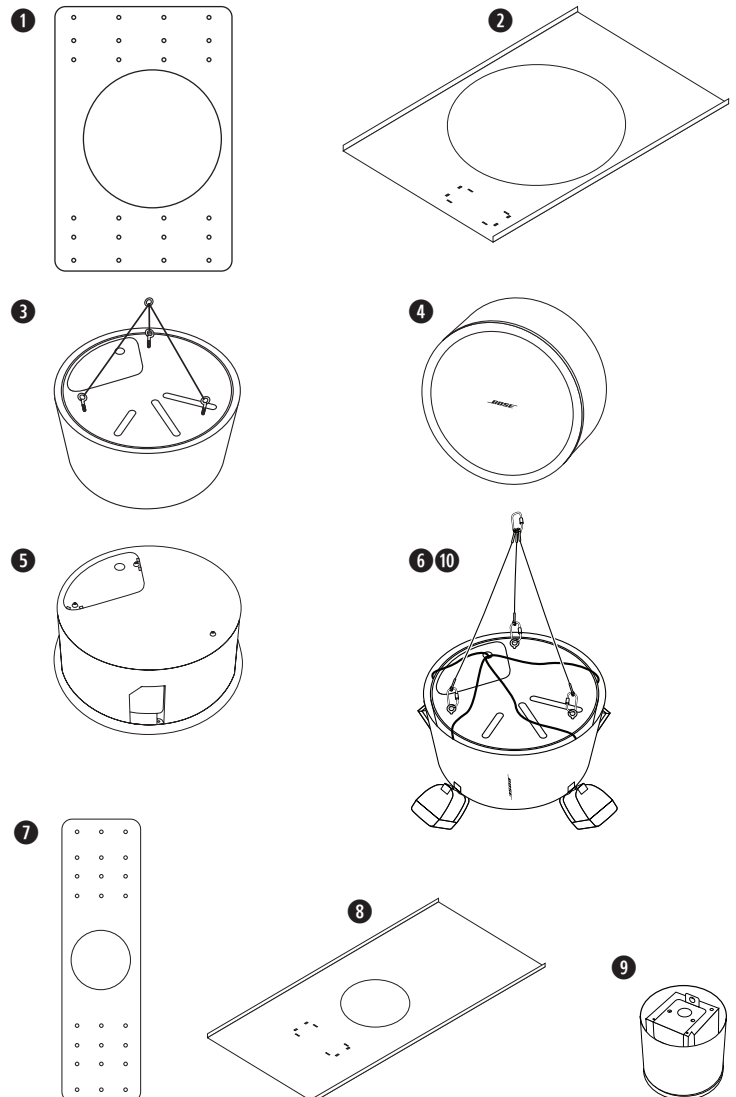
- ❷ FreeSpace 3F Satellite Loudspeaker Rough-in Pan or
- ❸ FreeSpace 3F Satellite Loudspeaker Tile Bridge

Optional

- ❹ FreeSpace 3F Satellite Loudspeaker Cosmetic Covers

Surface-mount Satellites

- ❺ FreeSpace Omni Pendant-mount Kit



Wiring the Loudspeaker

Wire Gauge

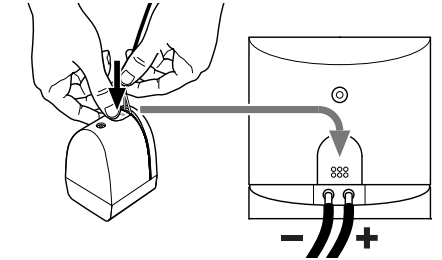
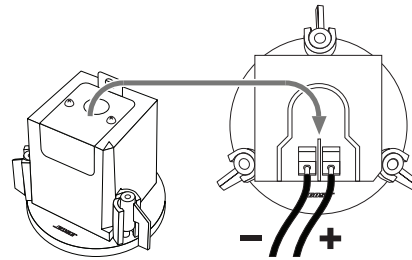
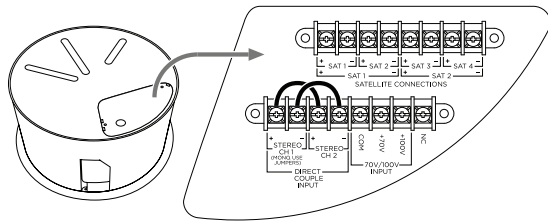
FreeSpace 3 loudspeakers are designed to work with 18 AWG (0.8 mm²) to 14 AWG (2.1 mm²) size wire only.

Wiring Terminals

Series II Acoustimass bass module: Remove the rear cover plate to access the wiring terminals. Reattach the rear cover plate after completing all wiring connections.

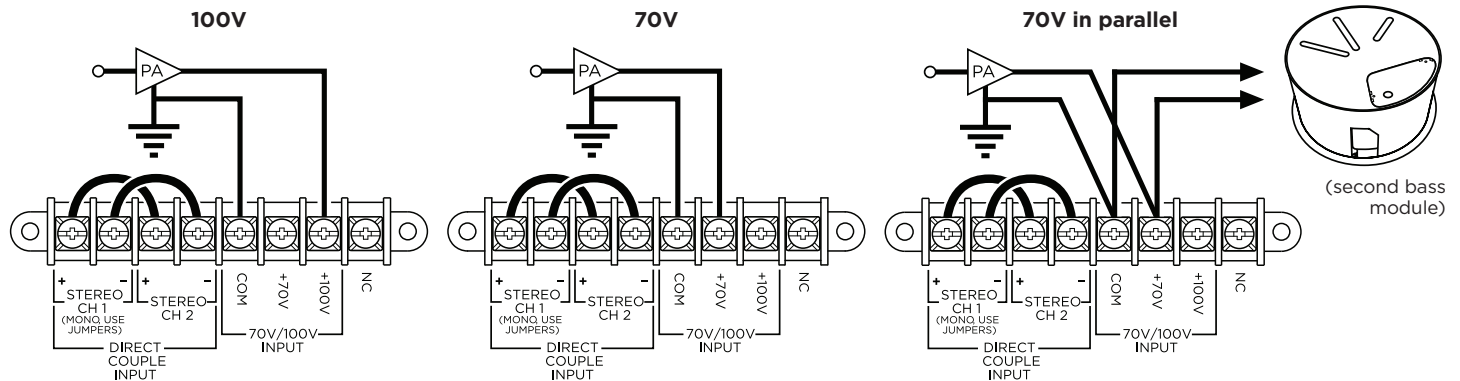
Flush-mount Satellites: Remove the rear cover plate to access the wiring terminals. Reattach the rear cover plate after completing all wiring connections.

Surface-mount Satellites: Push and hold the button on the rear panel while inserting the wire to insert the wire fully.



Amplifier Output Connection

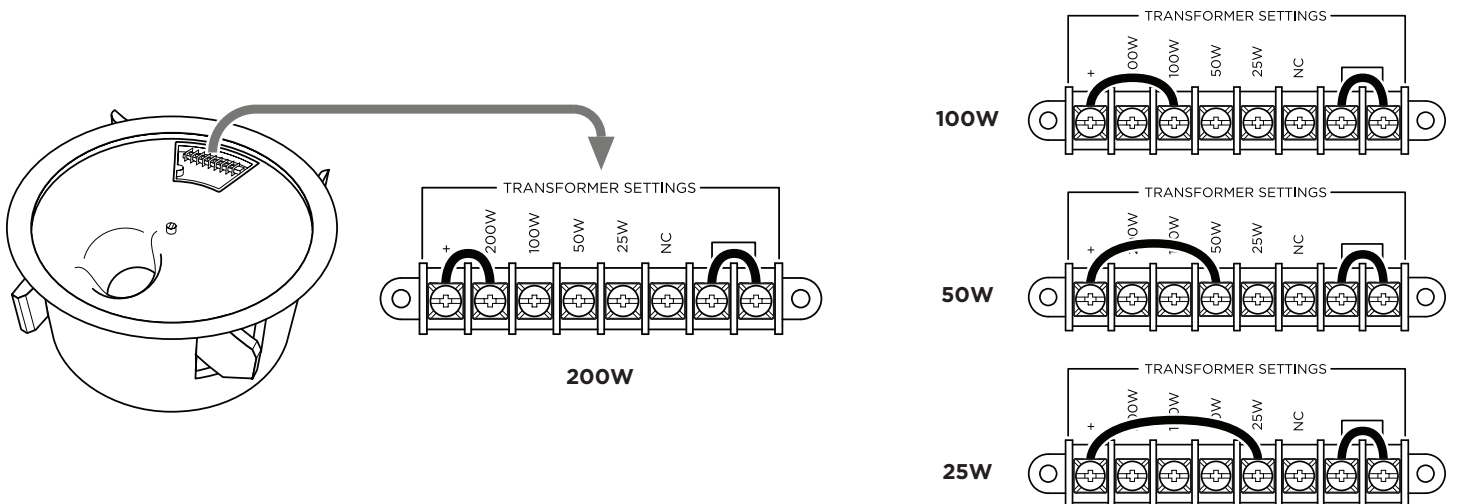
CAUTION: Complete all wiring connections before connecting an amplifier to power or powering it on.



Transformer Tap Settings

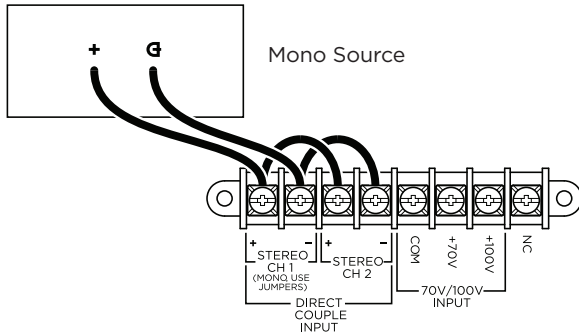
The transformer tap is set at the factory for **200W** use. To set it for a lower wattage, remove the end of the + jumper wire that is connected to the **200W** terminal and reattach it to the appropriate tap: **100W**, **50W**, or **25W**.

Note: The jumper wires are required for 70V/100V operation. For 6Ω operation (transformer bypass/direct), remove both jumper wires.



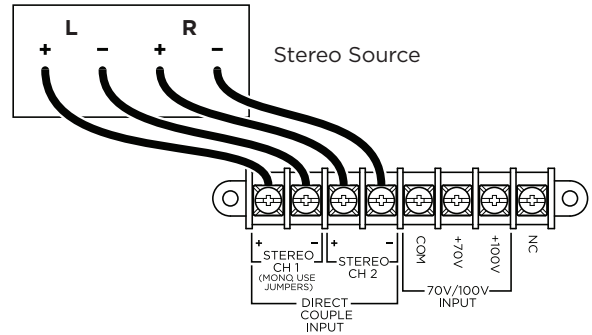
Transformer Bypass (Direct Mono)

To bypass the transformer and prepare the loudspeaker for **4Ω** use and mono sound input, remove the two jumpers from the transformer settings on the front of the loudspeakers. Leave the **CH1** and **CH2** input jumpers on the back of the loudspeaker as they are.



Transformer Bypass (Direct Stereo)

To bypass the transformer and prepare the loudspeaker for **6Ω** use and stereo sound input, remove all jumper wires.



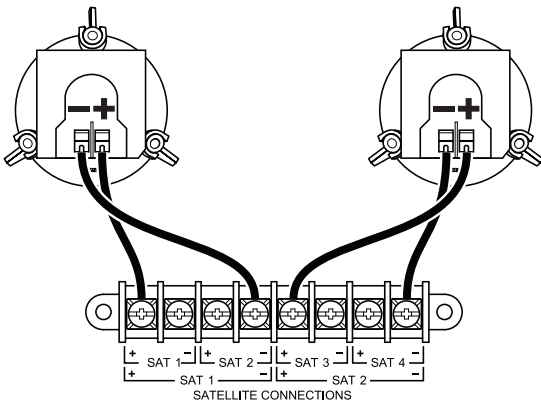
Satellite Loudspeaker Connection

CAUTION: Do not connect any loudspeakers other than FreeSpace 3 satellite loudspeakers directly to the module.

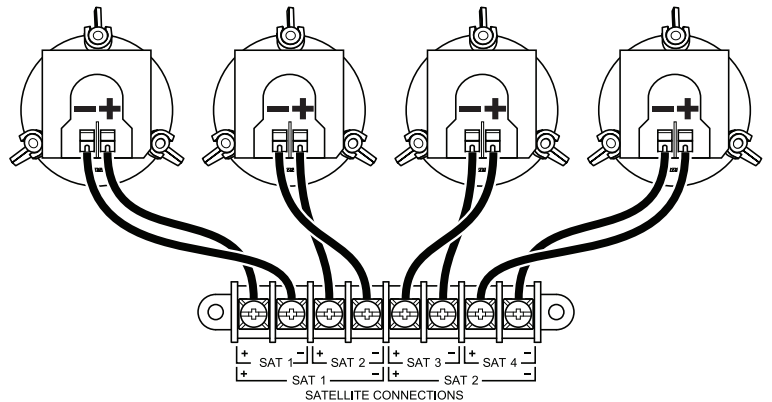
Connect the FreeSpace 3 Series II Acoustimass bass module to FreeSpace 3 Flush-mount Satellites or Surface-mount Satellites. (On this page, the Series II Acoustimass module is shown connected to the Flush-mount Satellites. You may substitute Surface-mount Satellites for any Flush-mount Satellites as long as you wire them with the correct polarity.)

You can use the FreeSpace 3 Series II Acoustimass module with other Bose loudspeakers, including but not limited to FreeSpace, DesignMax, or Panaray models. If you do this, connect both the loudspeakers and the module directly to the amplifier, using separate channels. Ensure that you apply appropriate band-pass filtering and/or the recommended equalization (if available) to all other loudspeakers. Visit PRO.BOSE.COM and refer to the technical data sheet for each model.

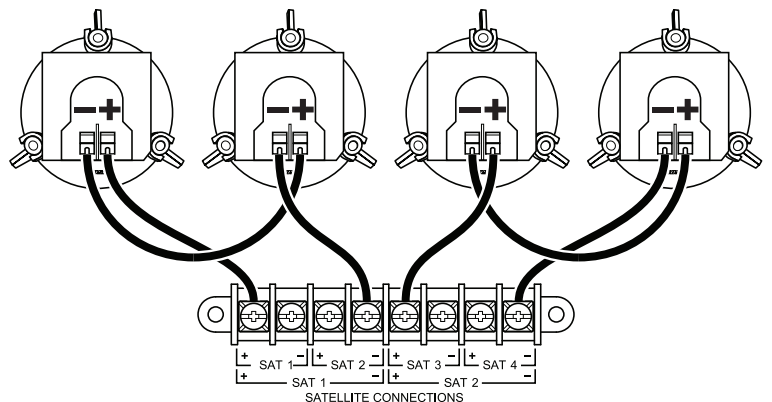
2 satellites



4 satellites



4 satellites (alternative, series method)



Preparing the Installation

Loudspeaker Placement

Note: Installation in close proximity to cooking surfaces where the loudspeaker may be directly exposed to cooking oils, steam, vapor, or high heat such as in commercial cooking environments may decrease the performance or reliability of the loudspeaker.

Using a Safety Cable

Some regional construction codes require the use of a secondary method of securing loudspeakers to support structures to provide additional safety. Choose a mounting position, method, and hardware consistent with local building codes and regulations.

Bose recommends using a safety wire or a safety cable as a secondary securing mechanism for the Series II Acoustimass bass module and Flush-mount Satellites. Follow the manufacturer's instructions for any secondary securing mechanism implemented.

Each loudspeaker model has one or more possible attachment points:

- Series II Acoustimass Bass Module** Remove an M6 screw from the rear cover plate, and attach a safety cable to that screw hole.
- Flush-mount Satellites** Attach a safety cable to the opening in the metal tab on the rear cover plate.

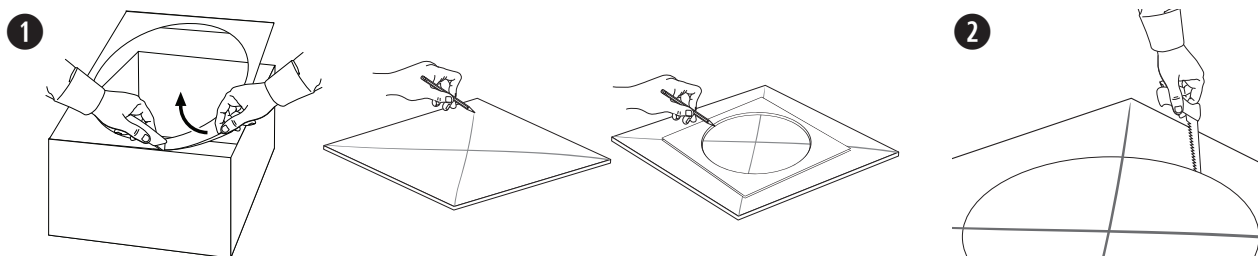
Preparing the Ceiling & Accessories

Before installing a bass module or satellite loudspeakers, follow the instructions to prepare the ceiling and any accessories you will use in the installation. See **Installation Options** (Page 5) for a list of required or optional accessories for each loudspeaker model.

Preparing Acoustic Ceiling Tile

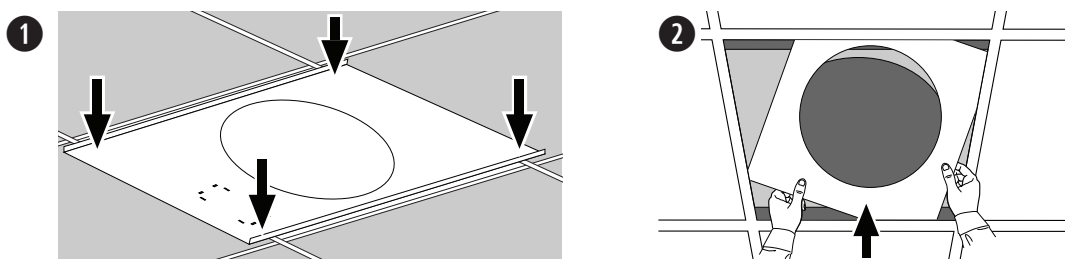
Cutting the Ceiling Tile

1. Remove the tile and use the template to trace a loudspeaker hole onto the tile. To center the template on the tile, draw an **X** by connecting the corners diagonally and center the template using the crossing point.
2. Cut a hole into the tile.



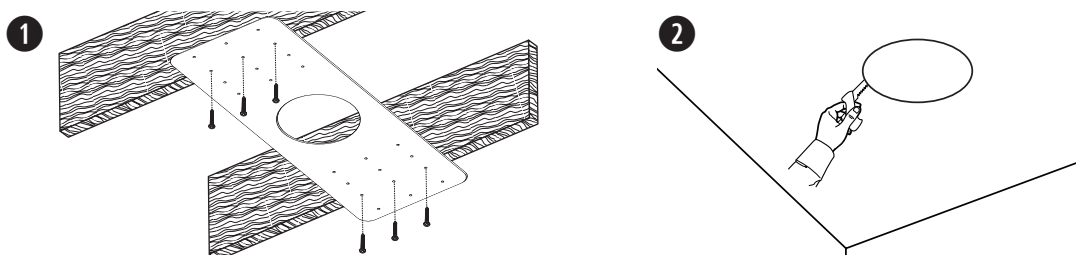
Installing the Tile Bridge

1. Place the tile bridge across the ceiling grid. If necessary, adjust the tile bridge so the rails rest on the ceiling grid.
2. Replace the tile in the ceiling.



Preparing Hard Ceiling Using a Rough-in Pan (New Construction)

1. Attach rough-in pan to the ceiling furring or wood studs. The rough-in pan includes multiple pre-drilled holes to accommodate different stud spacing, loudspeaker orientations, and loudspeaker placements.
2. After the ceiling is finished, cut a hole in the finished ceiling, using the rough-in pan as a guide.



Mounting the Loudspeaker

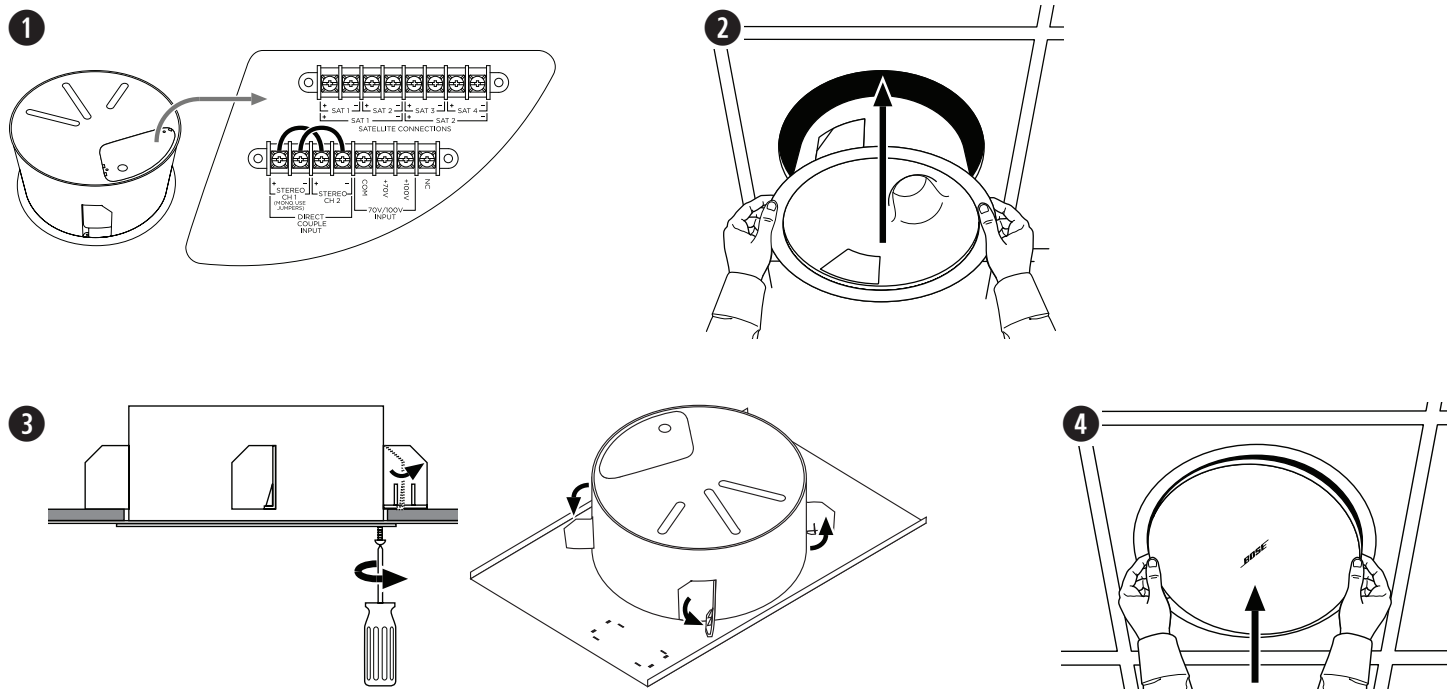
Series II Acoustimass Bass Module

1. Make sure all loudspeaker wiring connections are complete. For wiring information, see **Wiring the Loudspeaker** (Page 6).
2. Insert the loudspeaker through the hole and into the tile bridge or rough-in pan. Continue to hold the loudspeaker in place.
3. Tighten the anchor arm screws to secure the loudspeaker. If using a power drill, set to a low torque setting. Make sure all of the anchors are tightened before loosening your grip on the loudspeaker.



WARNING: Over-tightening the screws may result in damage to the anchor attachment point or the ceiling, which could lead to a falling hazard.

4. Using both hands, position the grille against the loudspeaker. Gently push the grille against the loudspeaker to secure it. You can rotate the logo when the grille is secured.



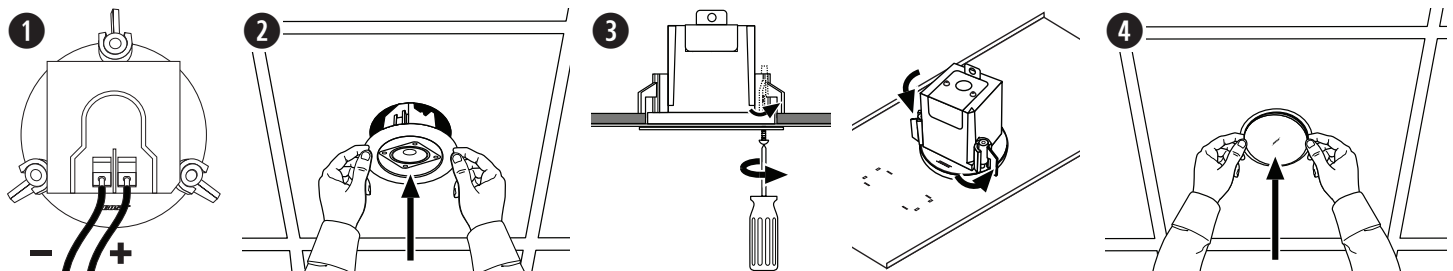
Flush-mount Satellites

1. Make sure all loudspeaker wiring connections are complete. For wiring information, see **Wiring the Loudspeaker** (Page 6).
2. Insert the loudspeaker through the hole and into the tile bridge or rough-in pan. Continue to hold the loudspeaker in place.
3. Tighten the anchor arm screws to secure the loudspeaker. If using a power drill, set to a low torque setting. Make sure all of the anchors are tightened before loosening your grip on the loudspeaker.



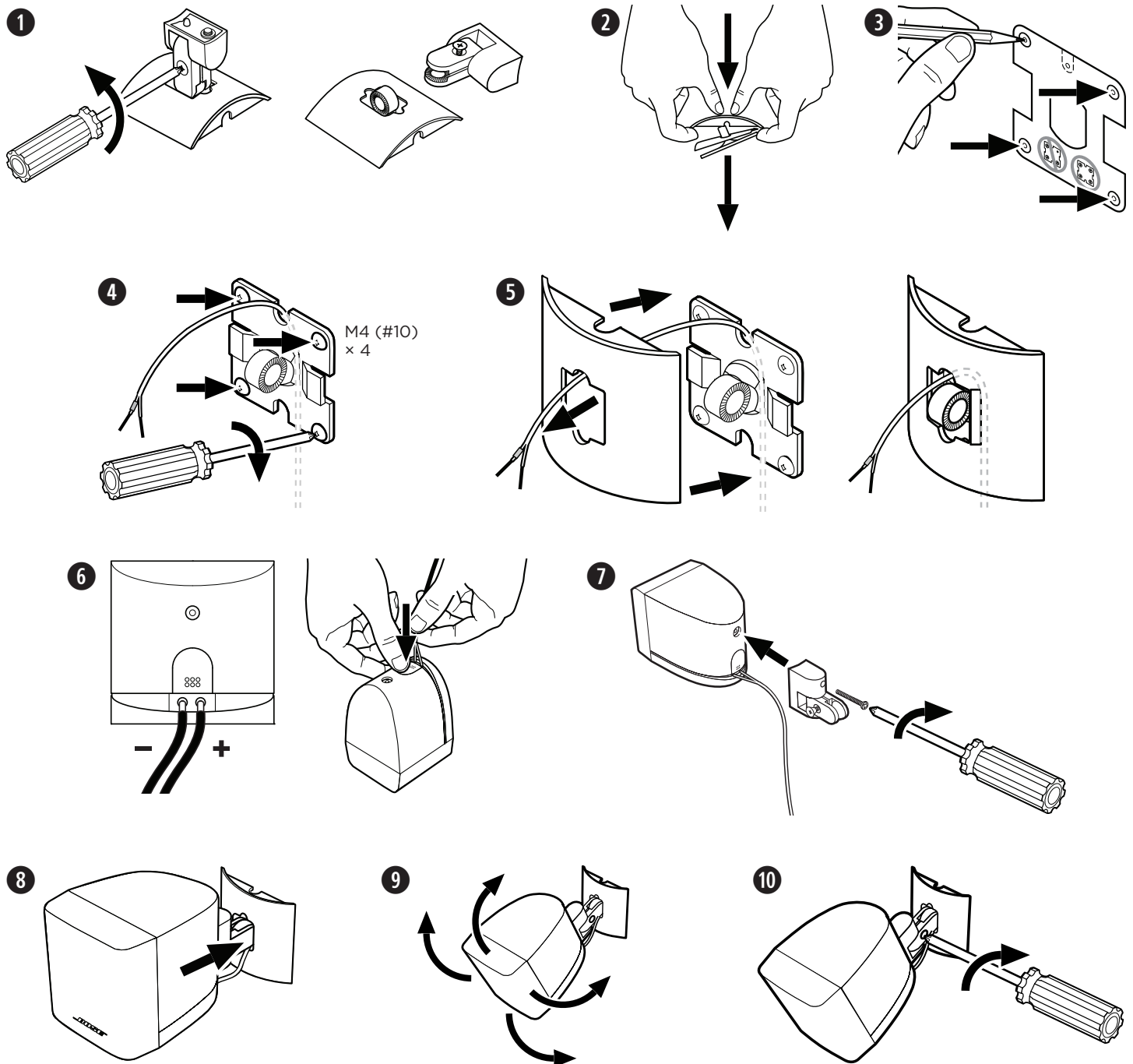
WARNING: Over-tightening the screws may result in damage to the anchor attachment point or the ceiling, which could lead to a falling hazard.

4. Using both hands, position the grille against the loudspeaker. Gently push the grille against the loudspeaker to secure it.



Surface-mount Satellites

1. Loosen the screw connecting the loudspeaker arm to the wall-mount bracket, and separate the two parts.
2. Separate the rear plate from the cover the wall-mount bracket.
3. Use the template to mark the center of all four screw holes on the wall.
4. Insert four M4 (#10) screws to attach the wall-mount bracket plate to the wall. Make sure the point where the loudspeaker wire exits the wall is aligned with a notch of the plate.
5. Reattach the wall-mount bracket cover to the plate, threading the loudspeaker wire through the center hole of the wall-mount bracket cover.
6. Connect the wire to the loudspeaker. For wiring information, see **Wiring the Loudspeaker** (Page 6).
7. Use the included screw to attach the loudspeaker arm to the threaded insert on the rear panel of the loudspeaker.
8. Place the loudspeaker arm on the wall-mount bracket by aligning the two parts of the rotating joint (which you separated in Step 1).
9. Adjust the vertical and horizontal angles of the loudspeaker as desired.
10. Insert the screw (which you removed in Step 1) into the rotating joint. Tighten the screw to secure the loudspeaker to the wall-mount bracket at the desired angle.



Lea y conserve todas las instrucciones de uso y seguridad.

Este producto está diseñado para ser instalado únicamente por instaladores profesionales. Este documento está diseñado para proveer las pautas de seguridad e instalación básicas a los instaladores profesionales de este producto en sistemas de instalación fija comunes. Lea este documento y todas las advertencias de seguridad antes de comenzar la instalación.

No intente reparar este producto por su cuenta. Remita todas las reparaciones a centros de servicio, instaladores, técnicos o distribuidores autorizados. Para comunicarse con Bose Professional o para encontrar un distribuidor cerca de usted, visite **PRO.BOSE.COM**.

1. Lea estas instrucciones.
2. Guarde estas instrucciones.
3. Preste atención a las advertencias.
4. Siga todas las instrucciones.
5. No use este aparato cerca del agua.
6. Limpíelo solamente con un paño seco.
7. No obstruya ninguna abertura de ventilación. Realice la instalación conforme a las instrucciones del fabricante.
8. No lo instale cerca de una fuente de calor, como radiadores, rejillas de calefacción, estufas u otros aparatos (incluidos los amplificadores) que produzcan calor.
9. Utilice solamente los accesorios especificados por el fabricante.

ADVERTENCIAS/PRECAUCIONES

Este producto contiene materiales magnéticos. Consulte con su médico si esto podría llegar a afectar un dispositivo médico implantado.

- Todos los productos Bose deben instalarse conforme a las leyes locales, estatales, federales y del sector. Es responsabilidad del instalador garantizar que la instalación del sistema de soporte y los altavoces se realice conforme a los códigos aplicables, incluidos los códigos y las reglamentaciones de construcción locales. Consulte a la autoridad local competente antes de instalar este producto.
- El montaje inseguro o la suspensión en altura de cualquier carga pesada pueden provocar lesiones graves o la muerte, además de daños a la propiedad. Es responsabilidad del instalador evaluar la confiabilidad de cualquier método de montaje utilizado para su aplicación. Únicamente los instaladores profesionales con conocimiento de las herramientas adecuadas y las técnicas de montaje seguro deberían intentar instalar cualquier altavoz en altura.
- No monte el producto en lugares donde pueda estar expuesto al agua o a la condensación.
- Este producto no está diseñado para ser instalado ni utilizado en zonas de instalaciones acuáticas en interiores (incluidos, entre otros, piscinas techadas, parques acuáticos techados, jacuzzis, saunas, salas de vapor y pistas de patinaje techadas).
- Monte únicamente en superficies que sean resistentes o que no presenten peligros ocultos, como cableado eléctrico o plomería. Si no está seguro acerca de cómo instalar el soporte, comuníquese con un instalador profesional cualificado.
- Utilice solo el hardware y los accesorios incluidos o especificados por Bose. No se suministran los componentes para fijar el soporte de montaje a la superficie de montaje. Para obtener información sobre los accesorios compatibles, consulte la hoja de datos técnicos del producto en **PRO.BOSE.COM**.
- No instale ni coloque el producto cerca de fuentes de calor, como chimeneas, radiadores, rejillas de calefacción u otros aparatos (incluidos amplificadores) que produzcan calor.
- Mantenga el producto lejos del fuego y de fuentes de calor. No coloque sobre el producto, o en su proximidad, fuentes de llamas sin protección; por ejemplo, velas encendidas.
- No realice alteraciones no autorizadas a este producto.
- No exponga el altavoz ni los componentes de montaje a sustancias químicas que no hayan sido especificadas por Bose, incluidos, entre otros, lubricantes, productos de limpieza, aerosoles de contacto u otros disolventes a base de hidrocarburos. La exposición a estas sustancias puede degradar el plástico, lo que produce grietas y el riesgo de que se caiga el dispositivo.
- Limpie los altavoces solo con un paño seco. No exponga los altavoces a detergentes, aceite mineral, alcohol ni otros agentes o químicos de limpieza.

Especificaciones del producto

	Voltaje de entrada	Impedancia	Corriente/potencia
Módulo de graves Acoustimass Serie II	70 V/100 V	6 Ω mono directo, con transformador anulado	25 W, 50 W, 100 W, 200 W
Satélites para montaje al ras	No corresponde	6 Ω	No corresponde
Satélites para montaje en superficie	No corresponde	6 Ω por canal (sistema de 4 satélites); 5 Ω por canal (sistema de 2 satélites)	No corresponde

Información normativa

CE Este producto cumple con todos los requisitos correspondientes de la Directiva de la UE. La declaración de conformidad completa se puede encontrar en: **www.bose.com/compliance**.

UK CA Este producto cumple con todas las regulaciones aplicables de compatibilidad electromagnética de 2016 y todas las demás regulaciones aplicables del Reino Unido. La declaración de conformidad completa se puede encontrar en: **www.bose.com/compliance**

Este símbolo indica que el producto no se debe desechar como residuo doméstico y se debe enviar a una planta para tratamiento de residuos apropiada para su reciclado. Una eliminación y un reciclado adecuados ayudan a proteger los recursos naturales, la salud humana y el medioambiente. Para obtener más información acerca de la eliminación y el reciclado de este producto, comuníquese con su municipalidad local, un centro de servicios de desecho o la tienda donde compró este producto.

Tabla de sustancias peligrosas restringidas en China

Nombres y contenido de elementos o sustancias tóxicas o peligrosas						
Nombre de la pieza	Elementos o sustancias tóxicas o peligrosas					
	Plomo (Pb)	Mercurio (Hg)	Cadmio (Cd)	Cromo hexavalente (Cr(VI))	Bifenilo polibromado (PBB)	Difenil éter polibromado (PBDE)
PCB	X	0	0	0	0	0
Piezas metálicas	X	0	0	0	0	0
Piezas plásticas	0	0	0	0	0	0
Altavoces	X	0	0	0	0	0
Cables	X	0	0	0	0	0

Esta tabla se preparó conforme a las cláusulas de SJ/T 11364.

O: Indica que dicha sustancia peligrosa contenida en todos los materiales homogéneos de esta pieza se encuentra por debajo del requisito límite de GB/T 26572.

X: Indica que esta sustancia tóxica o peligrosa que está presente en al menos uno de los materiales homogéneos utilizados para esta parte se encuentra por encima del requisito de límite de GB/T 26572.

Tabla de sustancias peligrosas restringidas en Taiwán

Nombre del equipo:	Designación de tipo:
Módulo de graves Acoustimass FreeSpace 3 Serie II	040147, 040148
Altavoces tipo satélite para montaje al ras FreeSpace 3	040150, 040149
Altavoces tipo satélite para montaje en superficie FreeSpace 3	040144, 040143

Sustancias restringidas y símbolos químicos						
Unidad	Plomo (Pb)	Mercurio (Hg)	Cadmio (Cd)	Cromo hexavalente (Cr+6)	Bifenilos polibromados (PBB)	Éteres difenil polibromados (PBDE)
PCB	-	o	o	o	o	o
Piezas metálicas	-	o	o	o	o	o
Piezas plásticas	o	o	o	o	o	o
Altavoces	-	o	o	o	o	o
Cables	-	o	o	o	o	o

Nota 1: "o" indica que el contenido porcentual de la sustancia restringida no excede el porcentaje de valor de referencia de presencia.

Nota 2: El "-" indica que la sustancia restringida corresponde a la exención.

Fecha de fabricación: El octavo dígito del número de serie indica el año de fabricación; p. ej., "7" es 2007 o 2017.

Importador en China: Bose Electronics (Shanghai) Company Limited, Level 6, Tower D, No. 2357 Gudai Rd. Minhang District, Shanghai 201100, China

Importador en el Reino Unido: Bose Limited, Bose House, Quayside Chatham Maritime, Chatham, Kent, ME4 4QZ, Reino Unido

Importador para la UE: Bose Products B.V., Gorslaan 60, 1441 RG Purmerend, Países Bajos

Importador para México: Bose de México, S. de R.L. de C.V., Paseo de las Palmas 405-204, Lomas de Chapultepec, 11000 México, D.F. Para obtener información sobre el servicio y el importador, comuníquese al: +5255 (5202) 3545

Importador para Taiwán: Bose Taiwan Branch, 9F-A1, N° 10, Section 3, Minsheng East Road, Taipei City 104, Taiwán. Número telefónico: +886-2-2514 7676

Oficinas centrales de Bose Corporation: 1-877-230-5639

Bose, Acoustimass, DesignMax, FreeSpace y Panaray son marcas comerciales de Bose Corporation.

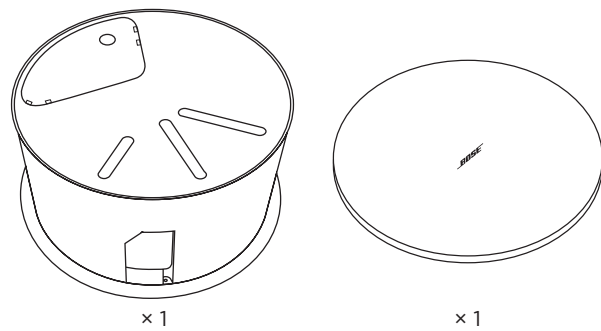
©2022 Bose Corporation. Ninguna parte de este trabajo podrá reproducirse, modificarse, distribuirse ni usarse sin un permiso previo por escrito.

Información de la garantía

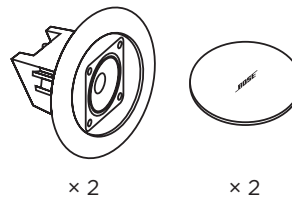
Este producto está cubierto con una garantía limitada. Para ver los detalles de la garantía, visite **PRO.BOSE.COM**.

Contenido de la caja

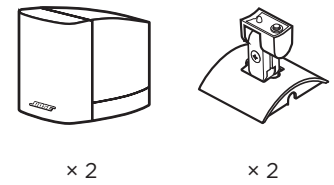
Módulo de graves Acoustimass Serie II



Satélites para montaje al ras

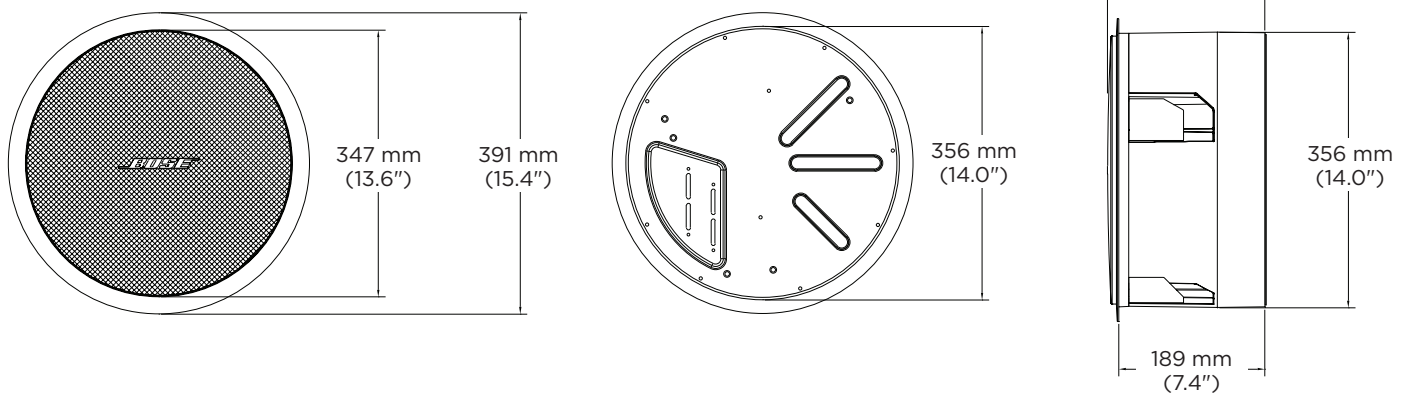


Satélites para montaje en superficie

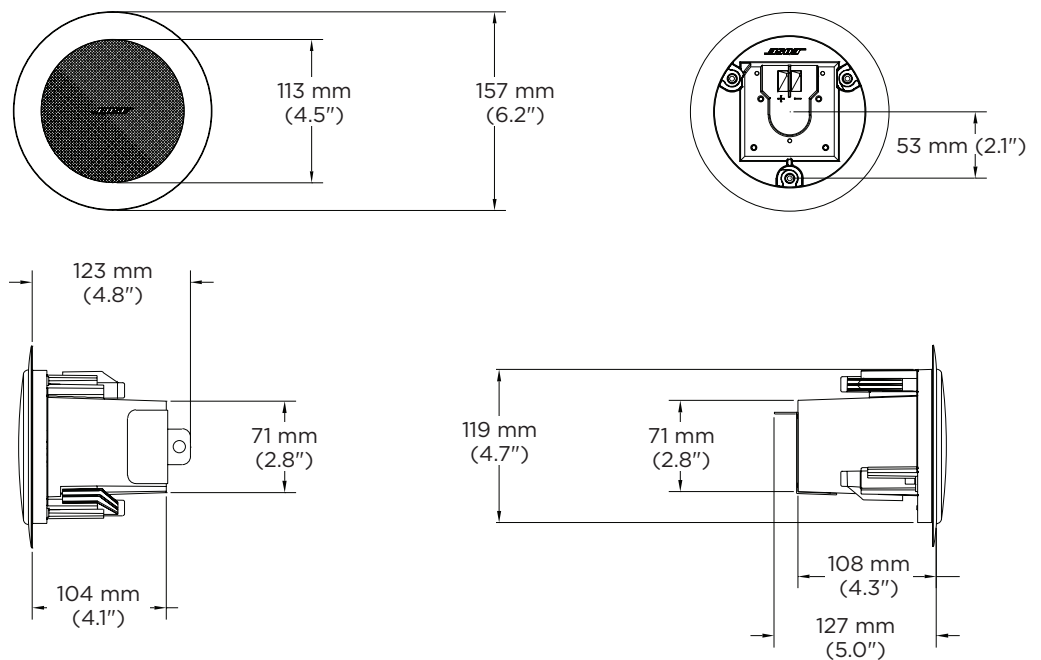


Dimensiones del producto

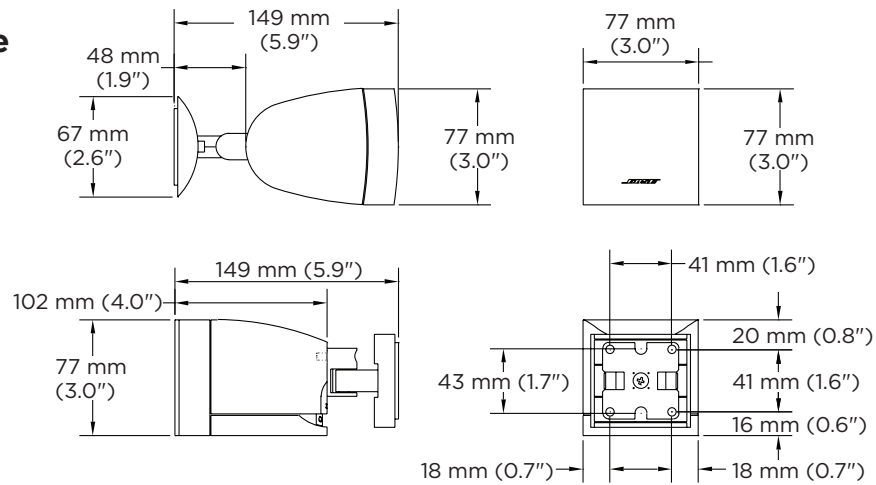
Módulo de graves Acoustimass Serie II



Satélites para montaje al ras



Satélites para montaje en superficie



Especificaciones técnicas

Para obtener especificaciones, instrucciones e información técnica adicionales sobre cualquier altavoz FreeSpace, visite [bosepro.link/freespace](https://www.bosepro.link/freespace).

	Módulo de graves Acoustimass Serie II	Satélites para montaje al ras	Satélites para montaje en superficie
Dimensiones del producto			
Altura × Ancho	391 mm (15.4") (diámetro de borde externo)	157 mm (6.2") (diámetro de borde externo)	77 × 77 mm (3.0 × 3.0")
Profundidad	190 mm (7.5")	123 mm (4.8")	Sin soporte: 102 mm (4.0") Con soporte: 149 mm (5.9")
Dimensiones del techo			
Diámetro del orificio	362 mm (14.3")	127 mm (5.0")	No corresponde
Espesor máximo	48 mm (1.8")	38 mm (1.5")	No corresponde
Peso			
Neto	6.4 kg (14.0 lb)	0.9 kg (1.9 lb)	0.8 kg (1.8 lb)
Envío	9.1 kg (20.0 lb)	2.3 kg (5.0 lb)	1.8 kg (4.0 lb)

Cumplimiento de las normativas y los reglamentos de seguridad

El módulo Acoustimass Bose FreeSpace-3 Serie II y los satélites para montaje al ras están en la lista de UL como:

Altavoces de uso general según UL1480, estándar UL categoría UEAY, número de archivo S 5591

Apto para su uso en zonas interiores en lugares húmedos.

Apto para su instalación con métodos de cableado Clase 1, Clase 2 o Clase 3 en conformidad con el estándar NFPA 70, Código Eléctrico Nacional, 2002, Artículo 640

Adecuado para su uso en espacios con circulación de aire exterior cuando se utiliza con accesorios de cubierta Plenum modelo PC-FS3B y PC-FS3F:

Estándar UL-2043, prueba contra incendios y liberación de humo visible para productos diferenciados y sus accesorios instalados en espacios con circulación de aire exterior.

Estándar NFPA -70, Código Eléctrico Nacional, 2002, Artículo 300.22(C)

Estándar NFPA 90A, 2002, instalación de sistemas de aire acondicionado y ventilación, Párrafo 4.3.10.2.6.5

Los satélites para montaje en superficie Bose FreeSpace 3 descritos en esta guía no aparecen en la lista de UL.



Información importante sobre la instalación



Es responsabilidad del instalador garantizar que la instalación del sistema de soporte y los altavoces se realice conforme a los códigos aplicables, incluidos los códigos y las reglamentaciones de construcción locales. Consulte a la autoridad local competente antes de instalar este producto.

Es responsabilidad del instalador garantizar que la instalación de los altavoces sea segura. Si no se instala el altavoz correctamente, podría provocar daños, lesiones o la muerte.

No monte el producto en lugares donde pueda estar expuesto al agua o a la condensación.

Este producto no está diseñado para ser instalado ni utilizado en zonas de instalaciones acuáticas en interiores (incluidos, entre otros, piscinas techadas, parques acuáticos techados, jacuzzis, saunas, salas de vapor y pistas de patinaje techadas).

No obstruya ninguna abertura de ventilación. Realice la instalación conforme a las instrucciones del fabricante.

No lo instale cerca de una fuente de calor, como radiadores, rejillas de calefacción, estufas u otros aparatos (incluidos los amplificadores) que produzcan calor. Mantenga el producto lejos del fuego y de fuentes de calor. No coloque sobre el producto, o en su proximidad, fuentes de llamas sin protección; por ejemplo, velas encendidas.

Monte únicamente en superficies que sean resistentes o que no presenten peligros ocultos, como cableado eléctrico o plomería. Si no está seguro acerca de cómo instalar el soporte, comuníquese con un instalador profesional cualificado. Asegúrese de que el soporte esté instalado de acuerdo con los códigos locales de construcción.

No se suministran los componentes para fijar el altavoz a la superficie de montaje. Consulte a un profesional de la construcción para obtener información sobre los componentes de montaje adecuados antes de instalar el altavoz.

No exponga el altavoz ni los componentes de montaje a sustancias químicas que no hayan sido especificadas por Bose, incluidos, entre otros, lubricantes, productos de limpieza, aerosoles de contacto u otros disolventes a base de hidrocarburos. La exposición a estas sustancias puede degradar el plástico, lo que produce grietas y el riesgo de que se caiga el dispositivo.

Opciones de instalación

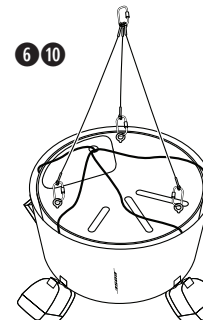
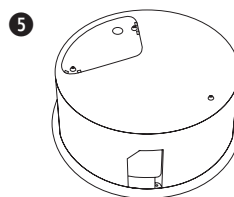
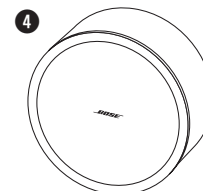
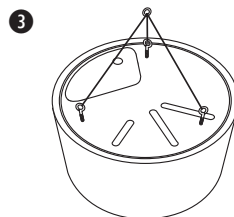
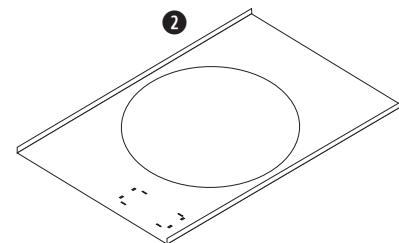
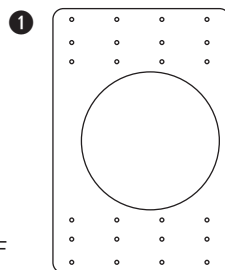
Módulo de graves Acoustimass Serie II

Necesario

- 1 Bandeja empotrada para los altavoces de graves FreeSpace 3BF
- 2 Puente de mosaico para los altavoces de graves FreeSpace 3BF

Opcional

- 3 Kit de montaje colgante para los altavoces de graves FreeSpace 3BF
- 4 Kit de montaje en superficie para los altavoces de graves FreeSpace 3BF
- 5 Cubierta Plenum para los altavoces de graves FreeSpace 3BF
- 6 Kit de montaje colgante FreeSpace Omni



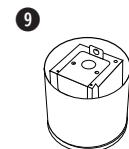
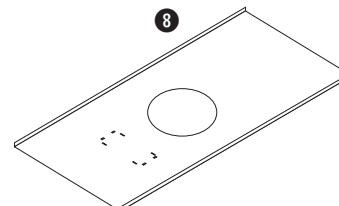
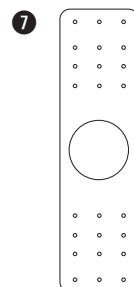
Satélites para montaje al ras

Necesario

- 7 Bandeja empotrada para los altavoces satelitales FreeSpace 3F
- 8 Puente de mosaico para los altavoces satelitales FreeSpace 3F

Opcional

- 9 Cubiertas estéticas para los altavoces satelitales FreeSpace 3F



Cableado de los altavoces

Calibre de cable

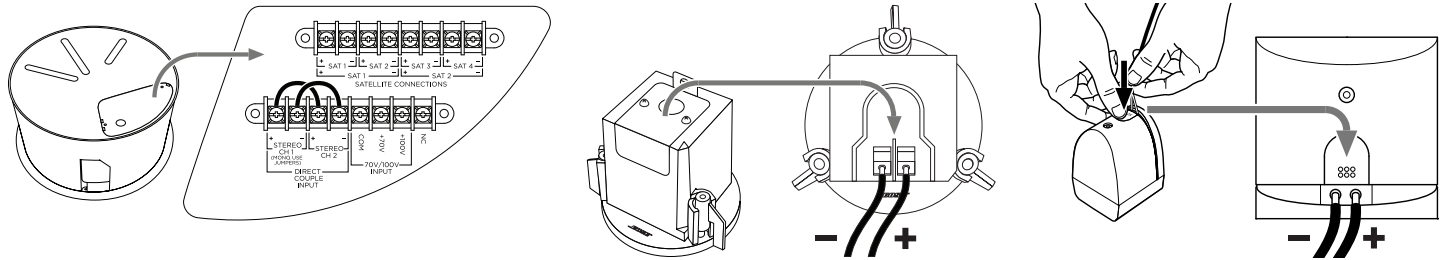
Los altavoces FreeSpace 3 están diseñados para funcionar únicamente con cables que midan de 18 AWG (0.8 mm²) a 14 AWG (2.1 mm²).

Terminales de cableado

Módulo de graves Acoustimass Serie II: Quite la placa de la cubierta trasera para acceder a los terminales de cableado. Vuelva a colocar la placa de la cubierta trasera después de completar todas las conexiones de cableado.

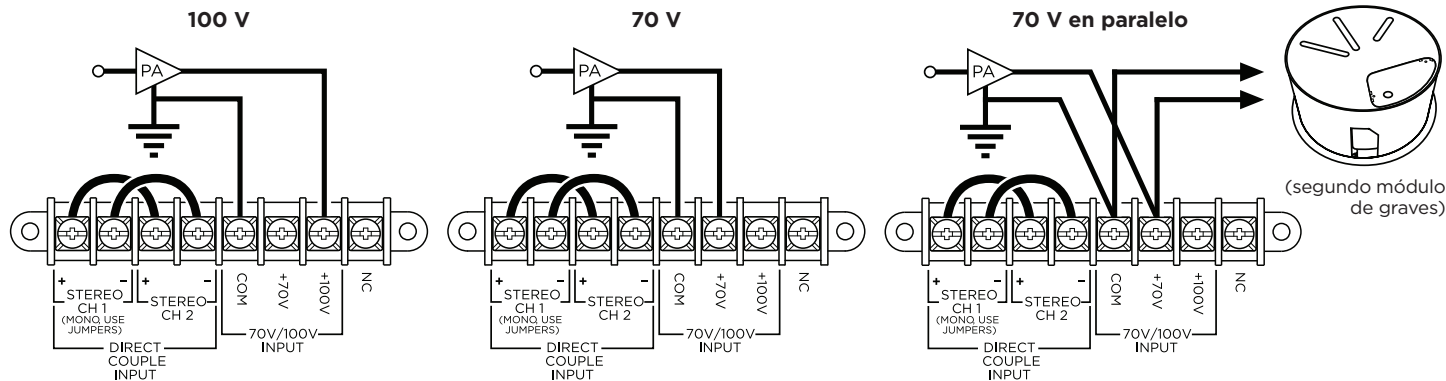
Satélites para montaje al ras: Quite la placa de la cubierta trasera para acceder a los terminales de cableado. Vuelva a colocar la placa de la cubierta trasera después de completar todas las conexiones de cableado.

Satélites para montaje en superficie: Mantenga presionado el botón en el panel trasero mientras inserta el cable para insertarlo completamente.



Conexión de salida del amplificador

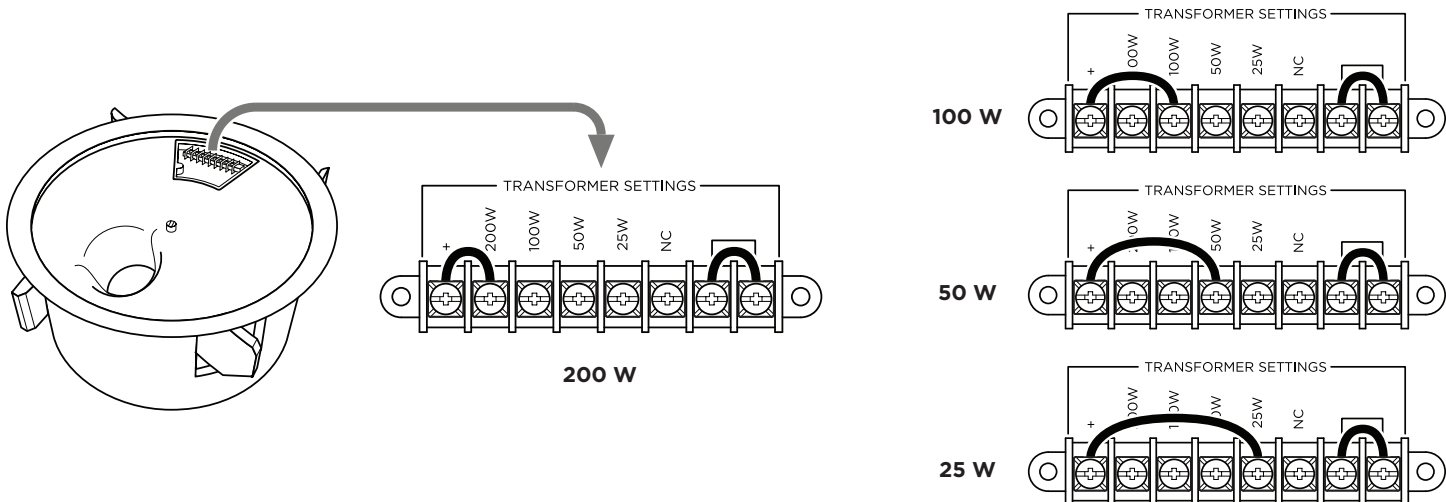
PRECAUCIÓN: Complete todas las conexiones de cables antes de conectar un amplificador a la alimentación o de encenderlo.



Configuración de la toma del transformador

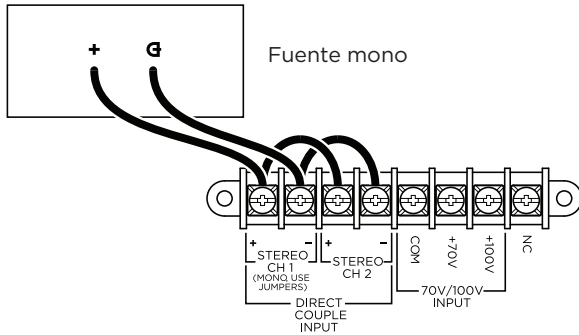
La toma del transformador se ajusta en fábrica para el uso con **200 W**. Para establecer una potencia menor, quite el extremo del cable puente + que está conectado al terminal de **200 W** y vuelva a conectarlo a la toma correspondiente: **100 W**, **50 W** o **25 W**.

Nota: Los cables puente son necesarios para el funcionamiento con 70 V/100 V. Para el funcionamiento con 6 Ω (derivación del transformador/directo), quite ambos cables puente.



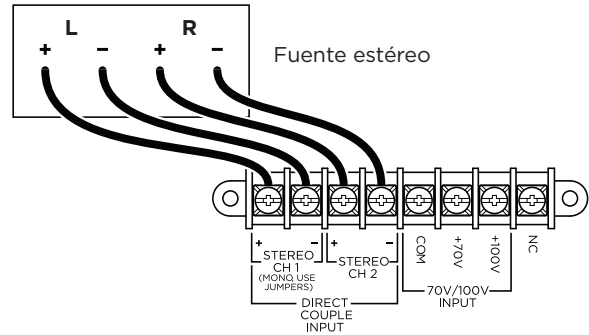
Anulación del transformador (mono directo)

Para anular el transformador y preparar el altavoz para una entrada de sonido mono y un uso de **4 Ω**, quite los dos puentes de la configuración del transformador en la parte frontal de los altavoces. Deje los puentes de entrada **CH1** y **CH2** en la parte posterior del altavoz como están.



Anulación del transformador (estéreo directo)

Para anular el transformador y preparar el altavoz para un uso de **6 Ω** y entrada de sonido estéreo, quite todos los cables puente.



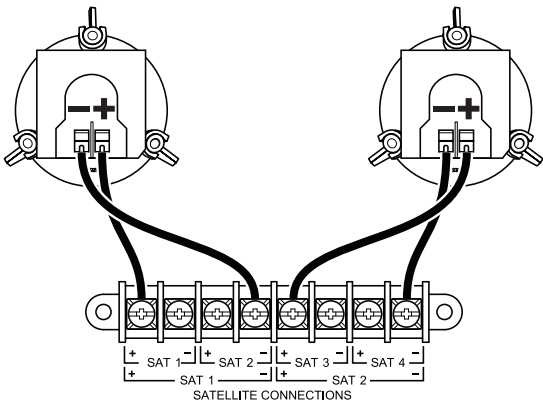
Conexión de altavoz satelital

PRECAUCIÓN: No conecte directamente al módulo ningún altavoz que no sean los altavoces satelitales FreeSpace 3.

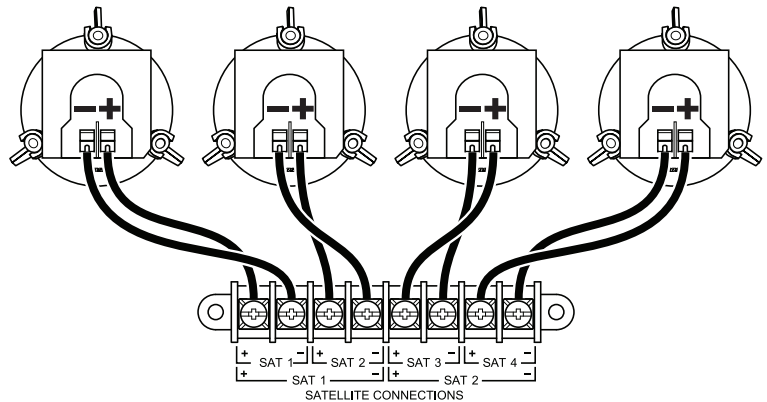
Conecte el módulo de graves Acoustimass FreeSpace 3 Serie II a los satélites para montaje al ras o montaje en superficie FreeSpace 3. (En esta página, el módulo Acoustimass Serie II se muestra conectado a los satélites para montaje al ras. Puede sustituir los satélites para montaje en superficie por cualquier satélite para montaje al ras, siempre y cuando los conecte con la polaridad correcta).

Puede utilizar el módulo Acoustimass FreeSpace 3 Serie II con otros altavoces Bose, incluidos, entre otros, los modelos FreeSpace, DesignMax o Panaray. Si lo hace, conecte los altavoces y el módulo directamente al amplificador mediante canales independientes. Asegúrese de aplicar un filtro pasabanda adecuado o la ecualización recomendada (si está disponible) a todos los demás altavoces. Visite **PRO.BOSE.COM** y consulte la hoja de datos técnicos de cada modelo.

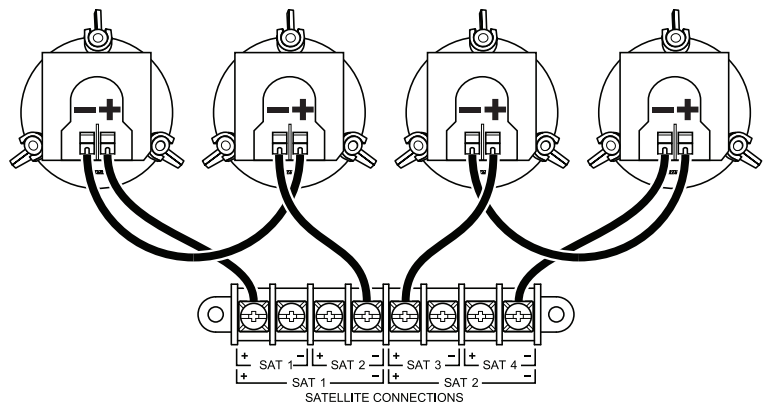
2 satélites



4 satélites



4 satélites (alternativa, método en serie)



Preparación de la instalación

Ubicación del altavoz

Nota: Si el altavoz se instala cerca de superficies de cocina, como entornos comerciales de cocina en los que quede expuesto directamente a aceites, vapores o altos niveles de calor, es posible que disminuya el rendimiento o la confiabilidad del dispositivo.

Uso de un cable de seguridad

En algunos códigos regionales de construcción se exige el uso de un método secundario de fijación de los altavoces a estructuras de apoyo con el propósito de brindar mayor seguridad. Elija una posición de montaje, un método y los componentes que cumplan con los códigos y los reglamentos locales de construcción.

Bose recomienda utilizar un cable de seguridad como un mecanismo secundario de seguridad para el módulo de graves Acoustimass Serie II y los satélites para montaje al ras. Siga las instrucciones del fabricante en la instalación de cualquier mecanismo de fijación secundario que desee implementar.

Cada modelo de altavoz tiene uno o más puntos de fijación posibles:

Módulo de graves Acoustimass Serie II Quite un tornillo M6 de la placa de la cubierta trasera y fije un cable de seguridad al orificio del tornillo.

Satélites para montaje al ras Fije un cable de seguridad a la abertura de la lengüeta metálica de la placa de la cubierta trasera.

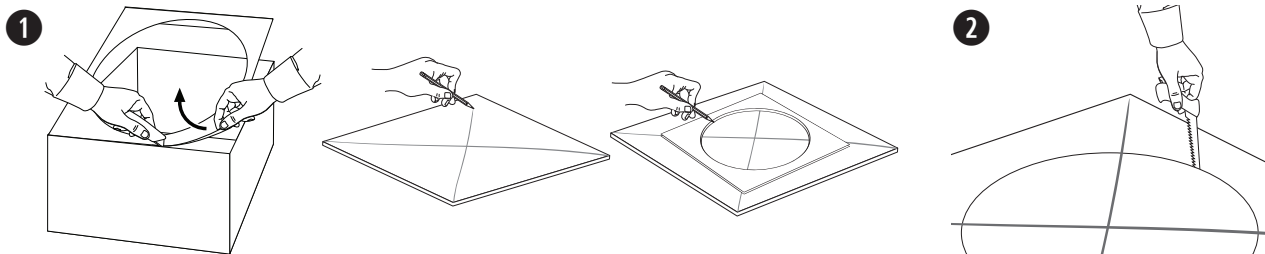
Preparación del techo y los accesorios

Antes de instalar un módulo de graves o altavoces satelitales, siga las instrucciones para preparar el techo y los accesorios que utilizará en la instalación. Consulte las **opciones de instalación** (Página 14) para obtener una lista de los accesorios necesarios u opcionales para cada modelo de altavoz.

Preparación del mosaico acústico para techo

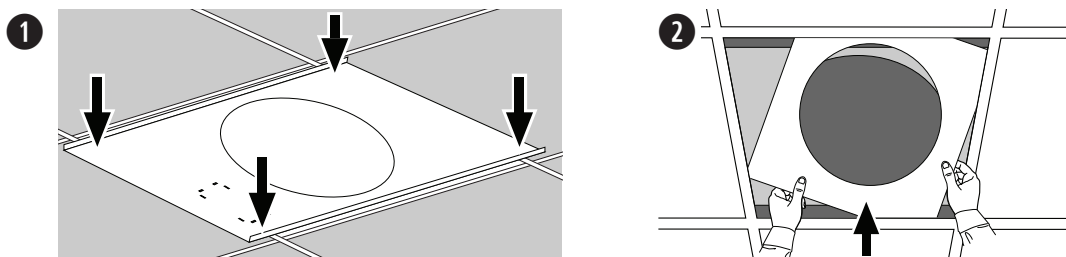
Corte del mosaico de techo

1. Retire el mosaico y utilice la plantilla para marcar un orificio para el altavoz en el mosaico. Para centrar la plantilla sobre el mosaico, conecte las esquinas diagonalmente dibujando una **X**, luego alinee la plantilla utilizando el punto de cruce.
2. Haga un orificio en el mosaico.



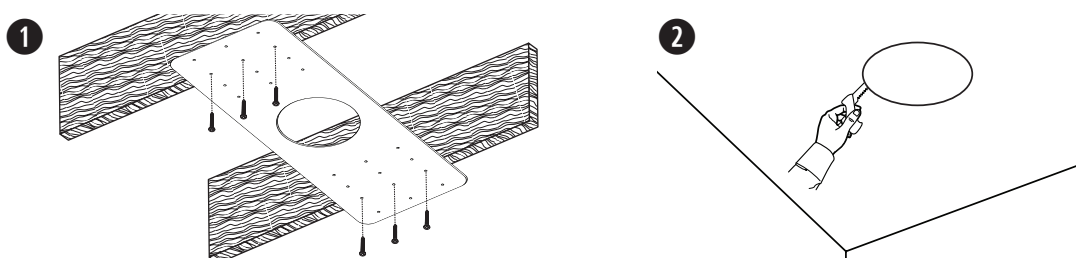
Instalación del puente de mosaico

1. Ubique el puente de mosaico en la cuadrícula del techo. Si es necesario, ajuste el puente de mosaico de modo que los rieles descansen sobre la cuadrícula del techo.
2. Reemplace el mosaico del techo.



Preparación de techos duros con una bandeja empotrada (construcción nueva)

1. Fije la bandeja empotrada en el enrasado del techo o en los montantes de madera. La bandeja empotrada incluye múltiples orificios preperforados para acomodar diferentes espacios entre pasadores, orientaciones de los altavoces y ubicaciones de estos.
2. Después de que el techo esté terminado, corte un agujero en el techo utilizando la bandeja empotrada como guía.



Montaje del altavoz

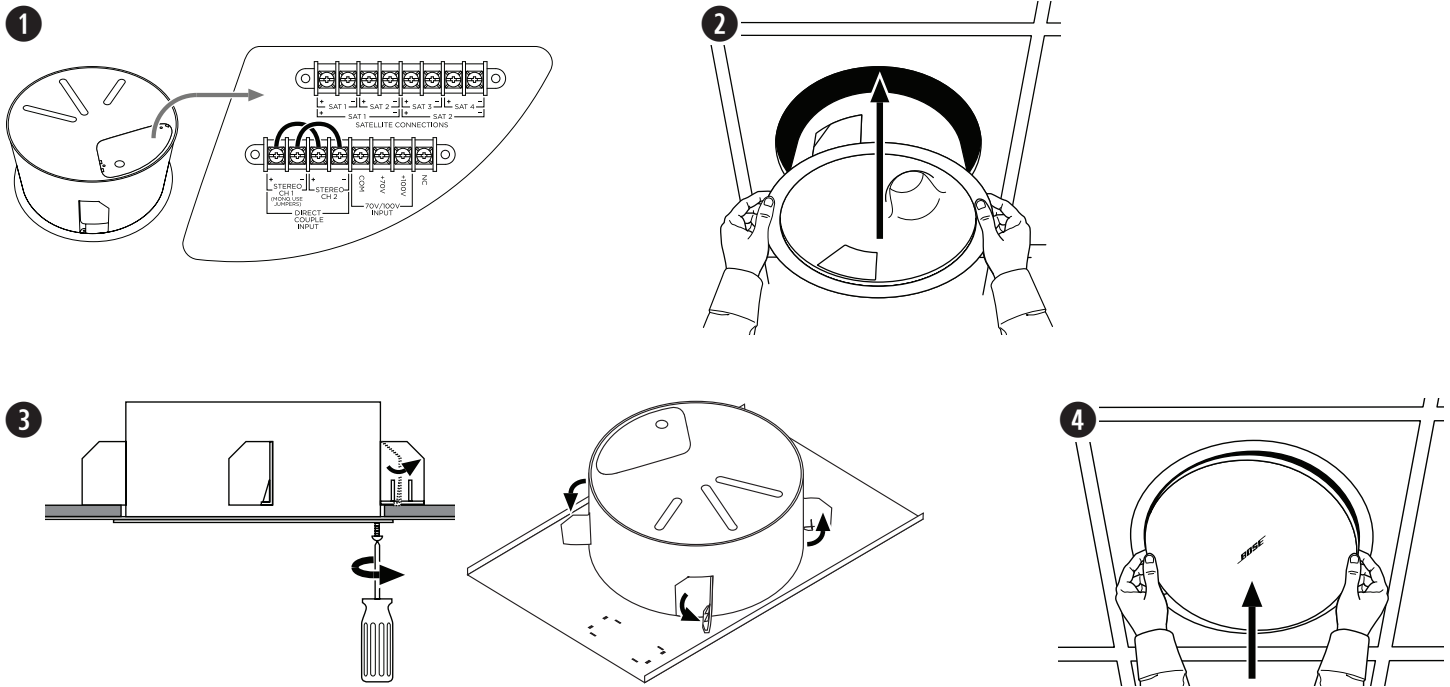
Módulo de graves Acoustimass Serie II

1. Asegúrese de que todas las conexiones del cableado de los altavoces estén completas. Para obtener información sobre el cableado, consulte **Cableado de los altavoces** (Página 15).
2. Inserte el altavoz a través del orificio y en el puente de mosaico o la bandeja empotrada. Continúe sujetando el altavoz en su lugar.
3. Fije los tornillos del brazo de anclaje para sujetar el altavoz. Si utiliza un taladro eléctrico, ajústelo a una posición para torque bajo. Asegúrese de que todos los anclajes estén ajustados antes de aflojar la sujeción del altavoz.



ADVERTENCIA: Apretar demasiado los tornillos puede dañar el punto de conexión del anclaje o el techo, lo que puede generar el riesgo de que se caiga el dispositivo.

4. Coloque la rejilla frente al altavoz usando ambas manos. Empuje suavemente la rejilla contra el altavoz para asegurarla. Puede girar el logotipo cuando la rejilla esté asegurada.



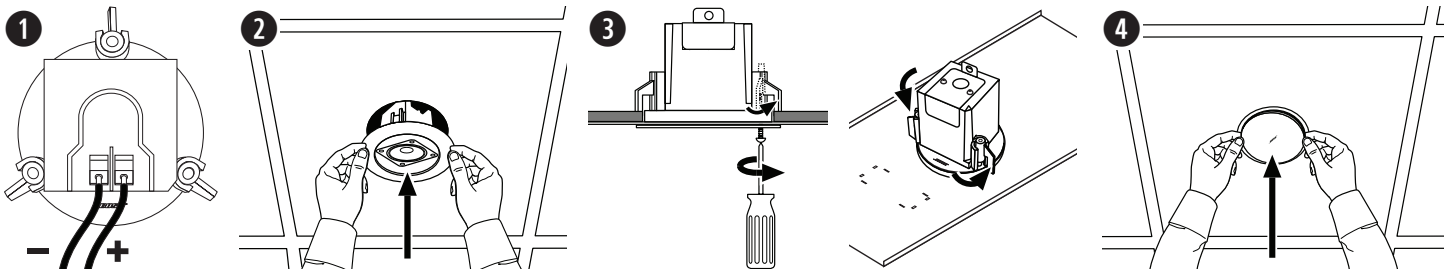
Satélites para montaje al ras

1. Asegúrese de que todas las conexiones del cableado de los altavoces estén completas. Para obtener información sobre el cableado, consulte **Cableado de los altavoces** (Página 15).
2. Inserte el altavoz a través del orificio y en el puente de mosaico o la bandeja empotrada. Continúe sujetando el altavoz en su lugar.
3. Fije los tornillos del brazo de anclaje para sujetar el altavoz. Si utiliza un taladro eléctrico, ajústelo a una posición para torque bajo. Asegúrese de que todos los anclajes estén ajustados antes de aflojar la sujeción del altavoz.



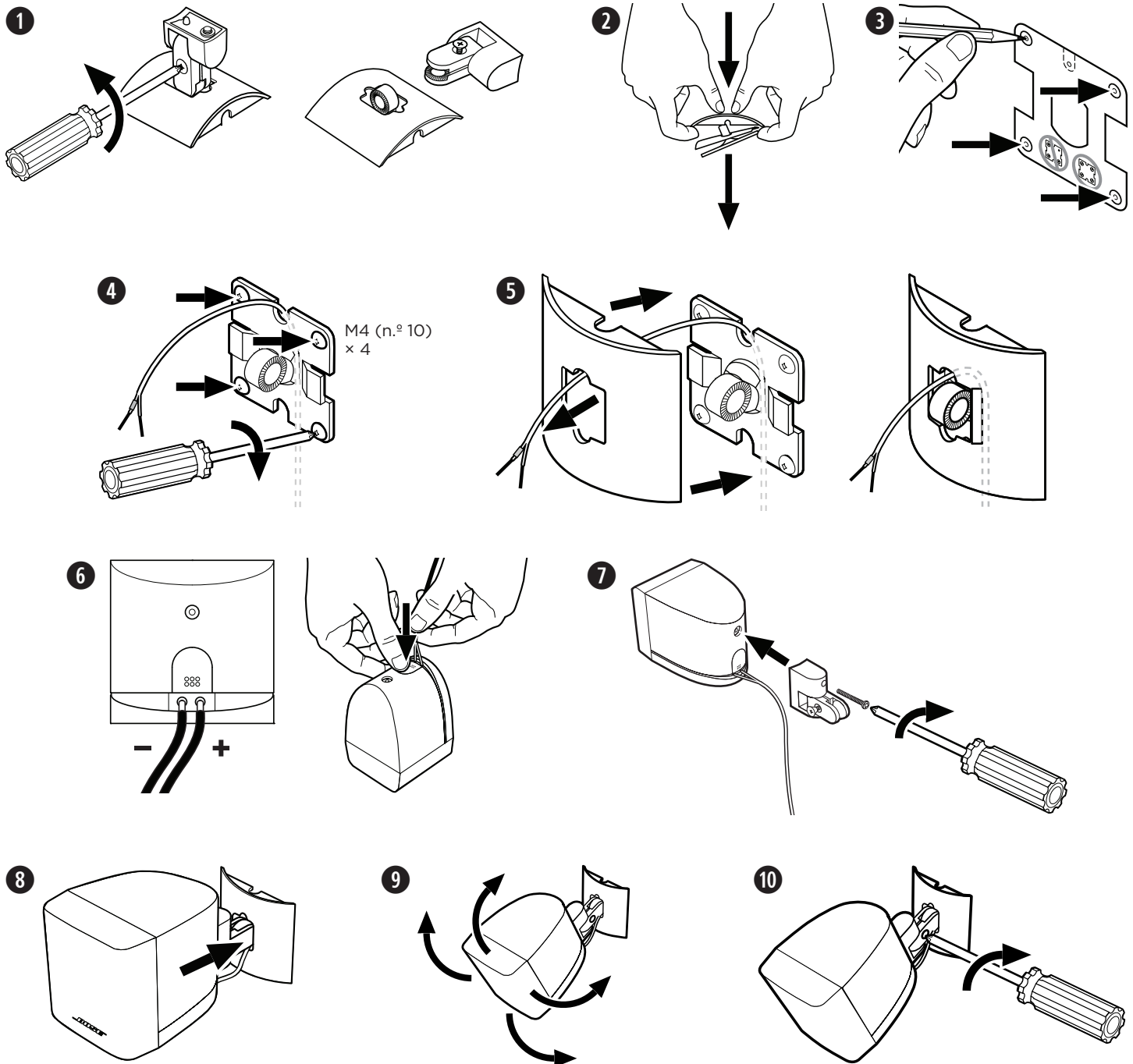
ADVERTENCIA: Apretar demasiado los tornillos puede dañar el punto de conexión del anclaje o el techo, lo que puede generar el riesgo de que se caiga el dispositivo.

4. Coloque la rejilla frente al altavoz usando ambas manos. Empuje suavemente la rejilla contra el altavoz para asegurarla.



Satélites para montaje en superficie

1. Afloje el tornillo que conecta el brazo del altavoz al soporte de montaje en pared y separe las 2 piezas.
2. Separe la placa trasera de la cubierta del soporte para montaje en pared.
3. Utilice la plantilla para marcar el centro de los 4 orificios para tornillos en la pared.
4. Inserte 4 tornillos M4 (n.º 10) para fijar la placa del soporte para montaje en pared a la pared. Asegúrese de que el punto donde el cable del altavoz sale de la pared esté alineado con la muesca de la placa.
5. Vuelva a colocar la cubierta del soporte para montaje en pared en la placa y pase el cable del altavoz a través del orificio central de la cubierta del soporte para montaje en pared.
6. Conecte el cable al altavoz. Para obtener información sobre el cableado, consulte **Cableado de los altavoces** (Página 15).
7. Utilice el tornillo incluido para fijar el brazo del altavoz a la inserción roscada en el panel trasero del altavoz.
8. Coloque el brazo del altavoz en el soporte para montaje en pared alineando las 2 partes de la junta giratoria (que separó en el paso 1).
9. Ajuste los ángulos verticales y horizontales del altavoz según lo desee.
10. Inserte el tornillo (que quitó en el paso 1) en la junta giratoria. Apriete el tornillo para fijar el altavoz al soporte para montaje en pared en el ángulo deseado.



Merci de lire et de conserver le manuel d'instruction et de respecter les consignes de sécurité.

Ce produit doit être installé par un technicien professionnel ! Ce document est destiné à fournir aux techniciens professionnels les directives de montage et de sécurité relatives à ce produit dédié à une installation fixe. Veuillez lire ce document, ainsi que l'ensemble des avertissements de sécurité avant de procéder à l'installation.

Ne tentez pas de réparer ce produit vous-même. Confiez toutes les opérations de maintenance à des centres de service, installateurs, techniciens, revendeurs ou distributeurs agréés. Pour contacter Bose Professional ou pour trouver un revendeur ou un distributeur près de chez vous, rendez-vous à l'adresse **PRO.BOSE.COM**.

1. Veuillez lire ces consignes.
2. Veuillez conserver ces consignes.
3. Respectez tous les avertissements.
4. Suivez toutes les consignes.
5. N'utilisez pas cet appareil à proximité d'eau ou de toute autre source d'humidité.
6. Utilisez uniquement un chiffon sec pour le nettoyage.
7. Ne bloquez jamais les orifices d'aération. Suivez les instructions du fabricant pour l'installation.
8. N'installez pas cet appareil à proximité d'une quelconque source de chaleur, telle qu'un radiateur, une arrivée d'air chaud, un four ou tout autre appareil (notamment les amplificateurs) produisant de la chaleur.
9. Utilisez uniquement les accessoires spécifiés par le fabricant.

AVERTISSEMENTS/PRÉCAUTIONS

Ce produit contient des composants magnétiques. Consultez votre médecin afin de savoir si ces composants peuvent avoir une incidence sur votre dispositif médical implanté.

- Tous les produits Bose doivent être installés dans le respect des réglementations locales et nationales. L'installateur est responsable du respect de tous les codes et règlements locaux et nationaux en vigueur applicables à l'installation et au montage des enceintes. Consultez les autorités locales compétentes avant d'installer ce produit.
- Tout montage non sécurisé ou suspension d'une lourde charge peut provoquer des dégâts matériels et des blessures graves, voire la mort. Il est de la responsabilité de l'installateur d'évaluer la fiabilité de la méthode de montage utilisée, en fonction de l'application. Seul un installateur professionnel connaissant les accessoires et techniques de montage adaptés est qualifié pour installer des enceintes suspendues.
- Ne montez pas le produit dans des endroits où il peut être exposé à l'eau ou à la condensation.
- Ce produit n'est pas destiné à être monté ou utilisé dans des installations humides en intérieur (par exemple piscine intérieure, parc aquatique intérieur, baignoire à remous, sauna, hammam, patinoire intérieure, etc.).
- Veillez à ne pas installer sur des surfaces peu résistantes ou dans lesquelles peuvent être intégrés des éléments dangereux, tels que des fils électriques ou des tuyaux de plomberie. En cas de doute, faites appel à un installateur professionnel.
- Utilisez exclusivement le matériel et les accessoires fournis ou spécifiés par Bose. Le matériel de fixation du support de montage à la surface de montage n'est pas fourni. Pour plus d'informations sur les accessoires compatibles, reportez-vous à la fiche technique du produit sur **PRO.BOSE.COM**.
- N'installez pas le produit à proximité d'une source de chaleur, telle qu'une cheminée, un radiateur, une arrivée d'air chaud ou tout autre appareil (notamment les amplificateurs) produisant de la chaleur.
- Tenez le produit à l'écart du feu et des sources de chaleur. Ne placez jamais d'objets enflammés, tels que des bougies allumées, sur l'appareil.
- Veillez à ne pas effectuer de modifications non autorisées sur ce produit.
- N'exposez pas l'enceinte ou les accessoires de montage à des substances chimiques qui ne sont pas spécifiées par Bose, y compris, mais sans s'y limiter, les lubrifiants, les produits de nettoyage, les sprays de contact ou autres solvants à base d'hydrocarbures. L'exposition à de telles substances peut provoquer une dégradation du matériau plastique, se traduisant par des fêlures pouvant conduire à une chute de l'enceinte.
- Nettoyez uniquement les enceintes avec un chiffon sec. N'exposez pas l'enceinte au savon, des détergents, des huiles minérales, de l'alcool ou d'autres agents nettoyants ou chimiques.

Spécifications du produit

	Tension d'entrée	Impédance	Courant ou puissance
Module de basses Acoustimass série II	70 V/100 V	6 Ω en mono direct, transformateur contourné	25 W, 50 W, 100 W, 200 W
Enceintes satellites encastrables	Non applicable	6 Ω	Non applicable
Enceintes satellites pour montage en surface	Non applicable	6 Ω par canal (système de quatre satellites) ; 5 Ω par canal (système de deux enceintes)	Non applicable

Informations réglementaires

CE Ce produit est conforme à toutes les directives de l'Union européenne qui s'y appliquent. La déclaration de conformité complète est disponible à l'adresse suivante : **www.bose.com/compliance**.

UK CA Ce produit est conforme à toutes les réglementations de 2016 en matière de compatibilité électromagnétique et à toutes les autres réglementations britanniques applicables. L'attestation complète de conformité est disponible à l'adresse **www.bose.com/compliance**

Ce symbole signifie que le produit ne doit pas être jeté avec les déchets ménagers, mais doit être déposé dans un centre de collecte approprié pour recyclage. La mise au rebut adéquate et le recyclage permettent de protéger les ressources naturelles, la santé humaine et l'environnement. Pour plus d'informations sur l'élimination et le recyclage de ce produit, contactez votre mairie, votre service d'enlèvement des ordures ou le magasin où vous avez acheté ce produit.

Tableau des restrictions concernant les substances dangereuses en Chine

Contient des substances ou éléments toxiques ou dangereux						
Substances ou éléments toxiques ou dangereux						
Nom	Plomb (Pb)	Mercure (Hg)	Cadmium (Cd)	Chrome hexavalent (CR(VI))	Biphényle polybromé (PBB)	Éther de diphényle polybromé (PBDE)
Polychloro-biphényles (PCB)	X	0	0	0	0	0
Pièces métalliques	X	0	0	0	0	0
Pièces en plastique	0	0	0	0	0	0
Enceintes	X	0	0	0	0	0
Câbles	X	0	0	0	0	0

Les données de ce tableau sont conformes aux dispositions de la norme SJ/T 11364.

0 : indique que la quantité de cette substance toxique ou dangereuse contenue dans tous les composants homogènes de cette pièce est inférieure à la limite définie dans la norme GB/T 26572.

X : indique que la quantité de cette substance toxique ou dangereuse contenue dans au moins un des composants homogènes de cette pièce est supérieure à la limite définie dans GB/T 26572.

Tableau des restrictions concernant les substances dangereuses à Taïwan

Nom de l'appareil :	Désignation du type :
Module de basses Acoustimass FreeSpace 3 série II	040147, 040148
Enceintes satellites FreeSpace 3 encastrables	040150, 040149
Enceintes satellites FreeSpace 3 pour montage en surface	040144, 040143

Substances réglementées et leurs symboles chimiques						
Élément	Plomb (Pb)	Mercure (Hg)	Cadmium (Cd)	Chrome hexavalent (Cr+6)	Biphényles polybromés (PBB)	Éthers de diphényle polybromés (PBDE)
Polychloro-biphényles (PCB)	-	o	o	o	o	o
Pièces métalliques	-	o	o	o	o	o
Pièces en plastique	o	o	o	o	o	o
Enceintes	-	o	o	o	o	o
Câbles	-	o	o	o	o	o

Remarque 1 : « o » indique que le pourcentage de la substance réglementée ne dépasse pas le pourcentage de la valeur de référence de présence de cette substance.

Remarque 2 : « - » indique l'absence de cette substance réglementée.

Date de fabrication : le huitième chiffre du numéro de série indique l'année de fabrication ; par exemple, « 7 » correspond à 2007 ou à 2017.

Importateur pour la Chine : Bose Electronics (Shanghai) Company Limited, Level 6, Tower D, No. 2337 Gudai Rd. Minhang District, Shanghai 201100

Importateur pour le Royaume-Uni : Bose Limited, Bose House, Quayside Chatham Maritime, Chatham, Kent, ME4 4QZ, Royaume-Uni

Importateur pour l'UE : Bose Products B.V., Gorslaan 60, 1441 RG Purmerend, Pays-Bas

Importateur pour le Mexique : Bose de México, S. de R.L. de C.V., Paseo de las Palmas 405-204, Lomas de Chapultepec, 11000 México, D.F. Pour plus d'informations sur l'importateur et le service : +5255 (5202) 3545

Importateur pour Taïwan : Bose Taiwan Branch, 9F-A1, No. 10, Section 3, Minsheng East Road, Taipei City 104, Taïwan. Numéro de téléphone : +886-2-2514 7676

Siège de Bose Corporation : 1-877-230-5639

Bose, Acoustimass, DesignMax, FreeSpace et Panaray sont des marques déposées de Bose Corporation.

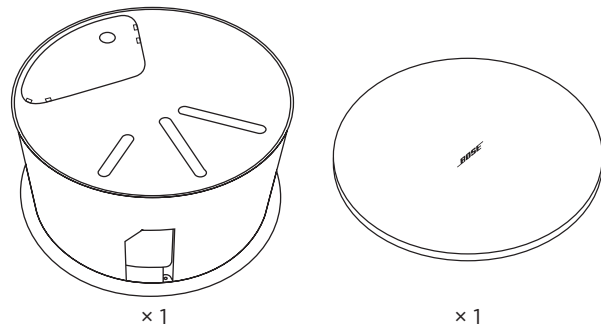
©2022 Bose Corporation. Toute reproduction, modification, distribution ou autre utilisation, même partielle, de ce document est interdite sans autorisation écrite préalable.

Informations relatives à la garantie

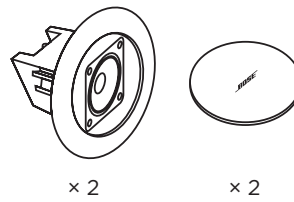
Cet appareil est couvert par une garantie limitée. Pour avoir plus d'information sur la garantie, visitez **PRO.BOSE.COM**.

Contenu de l'emballage

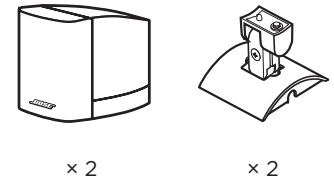
Module de basses Acoustimass série II



Enceintes satellites encastrables

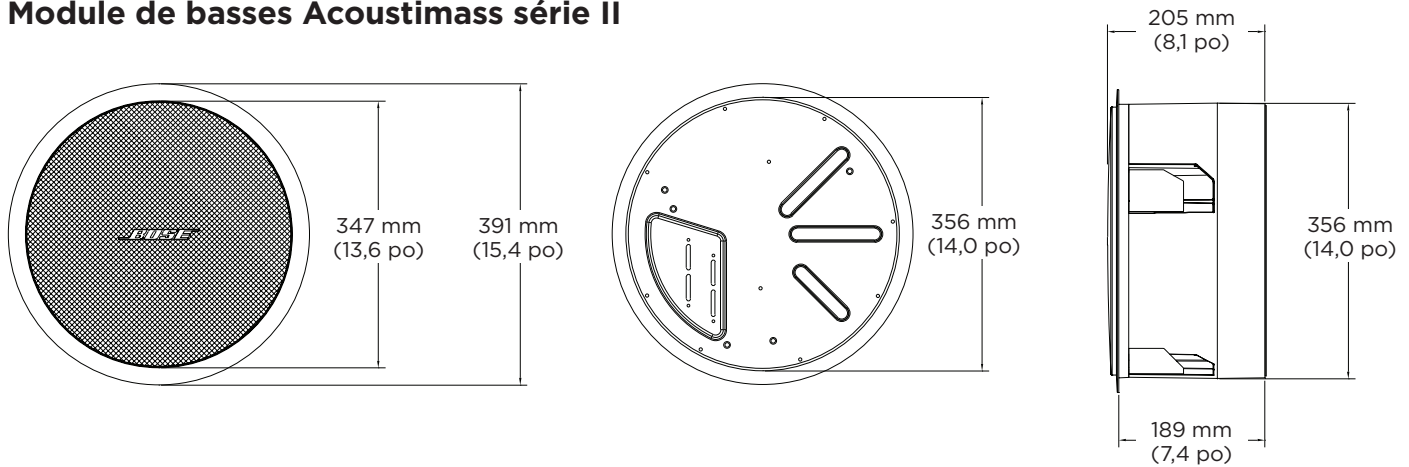


Enceintes satellites pour montage en surface

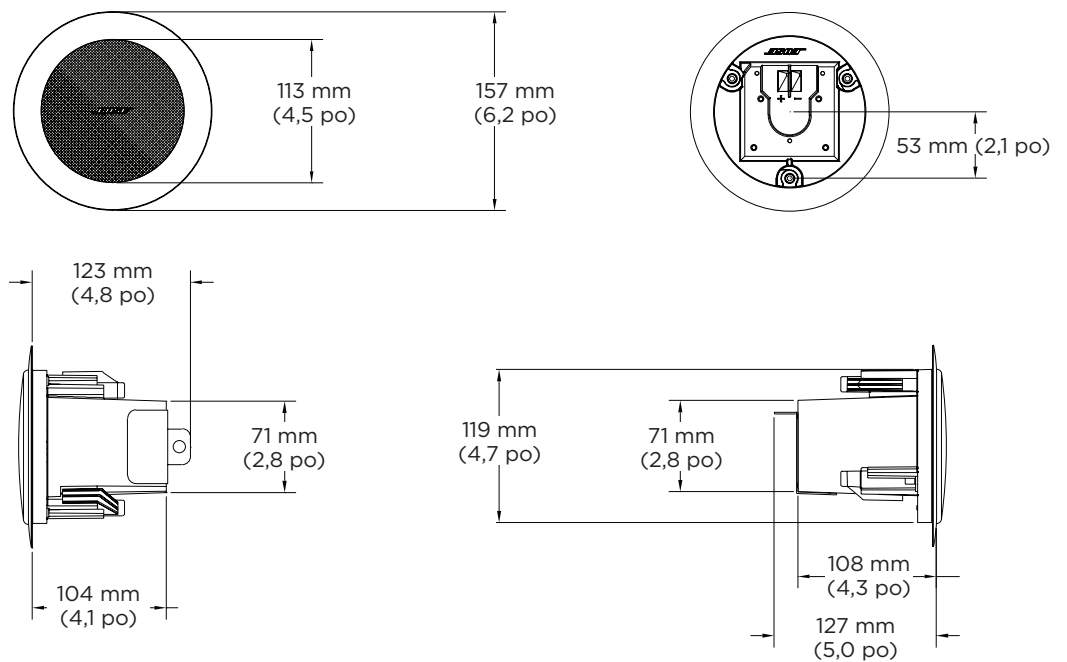


Dimensions du produit

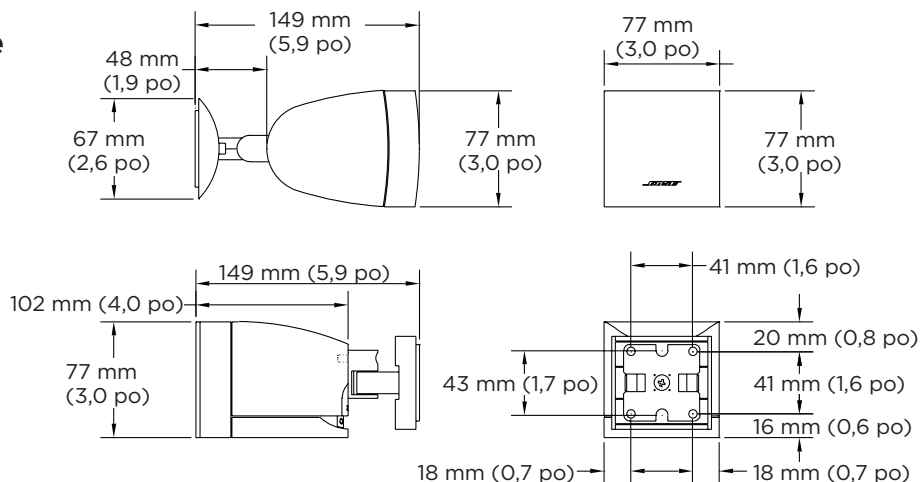
Module de basses Acoustimass série II



Enceintes satellites encastrables



Enceintes satellites pour montage en surface



Caractéristiques techniques

Vous trouverez des informations techniques, des instructions et des spécifications supplémentaires sur toutes les enceintes FreeSpace sur le site bosepro.link/freespace.

	Module de basses Acoustimass série II	Enceintes satellites encastrables	Enceintes satellites pour montage en surface
Dimensions du produit			
Hauteur x largeur	391 mm (15,4 po) (diamètre extérieur du boîtier)	157 mm (6,2 po) (diamètre extérieur du boîtier)	77 × 77 mm (3,0 × 3,0 po)
Profondeur	190 mm (7,5 po)	123 mm (4,8 po)	Sans le support : 102 mm (4,0 po) Avec le support : 149 mm (5,9 po)
Dimensions au plafond			
Diamètre de l'ouverture dans le plafond	362 mm (14,3 po)	127 mm (5,0 po)	Non applicable
Épaisseur maximale	48 mm (1,8 po)	38 mm (1,5 po)	Non applicable
Poids			
Net	6,4 kg (14,0 lb)	0,9 kg (1,9 lb)	0,8 kg (1,8 lb)
Livraison	9,1 kg (20,0 lb)	2,3 kg (5,0 lb)	1,8 kg (4,0 lb)

Conformité aux réglementations et aux normes de sécurité en vigueur

Les enceintes satellites encastrables et les modules Acoustimass FreeSpace 3 série II de Bose possèdent la certification de sécurité UL dans les cas suivants :

Utilisation générale conformément à la norme UL1480, catégorie UEAY, dossier S 5591

Utilisation à l'intérieur dans des endroits humides.

Installation suivant les méthodes de câblage de classe 1, 2 ou 3 selon la norme NFPA 70, National Electric Code, 2002, article 640

Leur utilisation convient aux espaces en plein air avec des couvercles de boîtier PC-FS3B et PC-FS3F :

UL-2043, Essai de réaction au feu et dégagement de fumée visible pour les produits autonomes et leurs accessoires installés dans des emplacements ventilés

NFPA 70, National Electrical Code, 2002, article 300.22(C)

NFPA 90A, 2002, Installation de systèmes de climatisation et de ventilation, paragraphe 4.3.10.2.6.5

Les enceintes satellites pour montage en surface FreeSpace 3 de Bose décrites dans le présent guide ne sont pas certifiées UL.



Informations importantes concernant l'installation



L'installateur est responsable du respect de tous les codes et règlements locaux et nationaux en vigueur applicables à l'installation et au montage des enceintes. Consultez les autorités locales compétentes avant d'installer ce produit.

Il incombe à l'installateur d'assurer la sécurité de l'installation de l'enceinte. L'installation incorrecte de l'enceinte est susceptible d'entraîner des dommages et des blessures, voire la mort.

Ne montez pas le produit dans des endroits où il peut être exposé à l'eau ou à la condensation.

Ce produit n'est pas destiné à être monté ou utilisé dans des installations humides en intérieur (par exemple, piscine intérieure, parc aquatique intérieur, baignoire à remous, sauna, hammam, patinoire intérieure, etc.).

Ne bloquez jamais les orifices d'aération. Suivez les instructions du fabricant pour l'installation.

N'installez pas cet appareil à proximité d'une quelconque source de chaleur, telle qu'un radiateur, une arrivée d'air chaud, un four ou tout autre appareil (notamment les amplificateurs) produisant de la chaleur. Tenez le produit à l'écart du feu et des sources de chaleur. Ne placez jamais d'objets enflammés, tels que des bougies allumées, sur l'appareil.

Veillez à ne pas installer sur des surfaces peu résistantes ou dans lesquelles peuvent être intégrés des éléments dangereux, tels que des fils électriques ou des tuyaux de plomberie. En cas de doute, faites appel à un installateur professionnel. Veillez à installer le support conformément aux normes de construction locales.

Le matériel de fixation de l'enceinte sur la surface de montage n'est pas fourni. Consultez un professionnel du bâtiment pour connaître le matériel de montage approprié avant d'installer l'enceinte.

N'exposez pas l'enceinte ou les accessoires de montage à des substances chimiques qui ne sont pas spécifiées par Bose, y compris, mais sans s'y limiter, les lubrifiants, les produits de nettoyage, les sprays de contact ou autres solvants à base d'hydrocarbures. L'exposition à de telles substances peut provoquer une dégradation du matériau plastique, se traduisant par des fêlures pouvant conduire à une chute de l'enceinte.

Options d'installation

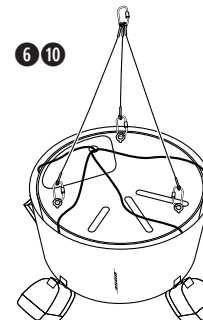
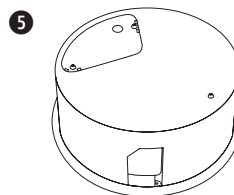
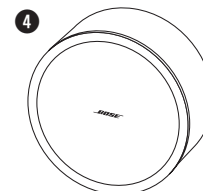
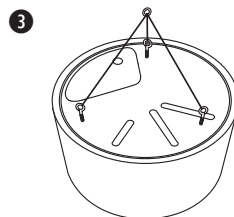
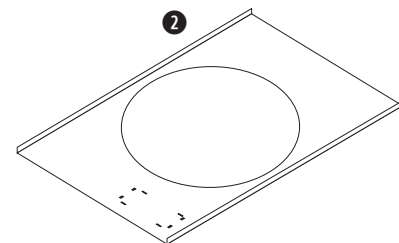
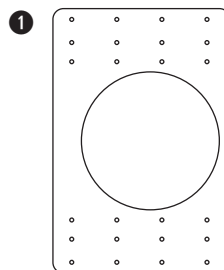
Module de basses Acoustimass série II

Nécessaire

- ❶ Plaque de montage en faux plafond pour enceinte de basses FreeSpace 3BF
ou
- ❷ Plaque de renfort pour enceinte de basses FreeSpace 3BF

En option

- ❸ Kit de montage suspendu pour enceinte de basses FreeSpace 3BF
- ❹ Kit de montage en surface pour enceinte de basses FreeSpace 3BF
- ❺ Couverture de boîtier pour enceinte de basses FreeSpace 3BF
- ❻ Kit de montage suspendu omni FreeSpace



Enceintes satellites encastrables

Nécessaire

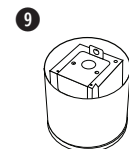
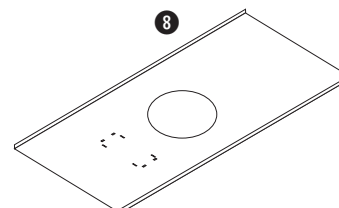
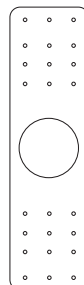
- ❷ Plaque de montage en faux plafond pour enceinte satellite FreeSpace 3F
ou
- ❸ Plaque de renfort pour enceinte satellite FreeSpace 3F

En option

- ❹ Couverture esthétique pour enceinte satellite FreeSpace 3F

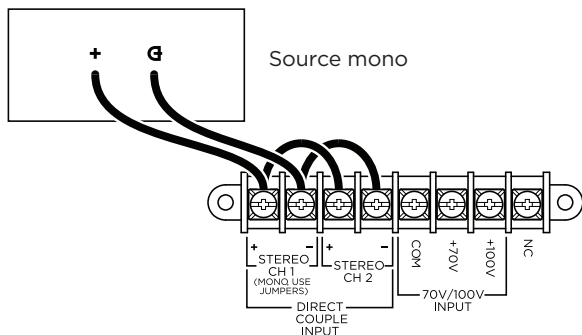
Enceintes satellites pour montage en surface

- ❺ Kit de montage suspendu omni FreeSpace



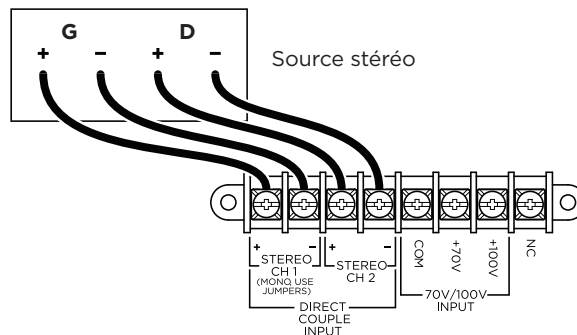
Transformateur contourné (mono direct)

Pour contourner le transformateur et préparer l'enceinte à une utilisation en **4 Ω** et à une entrée mono, retirez les deux câbles de pontage des connexions du transformateur sur l'avant des enceintes. Laissez tels quels les câbles de pontage des entrées **CH1** et **CH2** à l'arrière de l'enceinte.



Transformateur contourné (stéréo directe)

Pour contourner le transformateur et préparer l'enceinte à une utilisation en **6 Ω** et en stéréo, retirez tous les câbles de pontage.



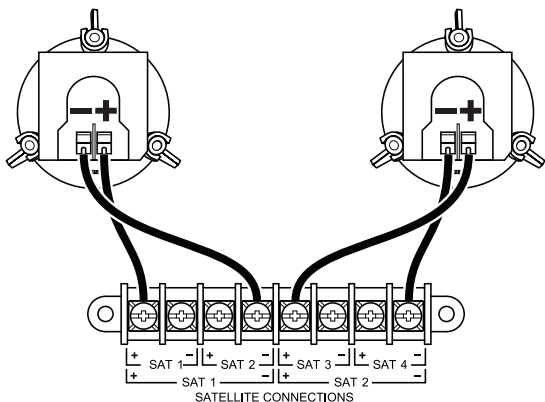
Connexion de l'enceinte satellite

ATTENTION : veillez à ne connecter directement au module aucune enceinte autre que les enceintes satellites FreeSpace 3.

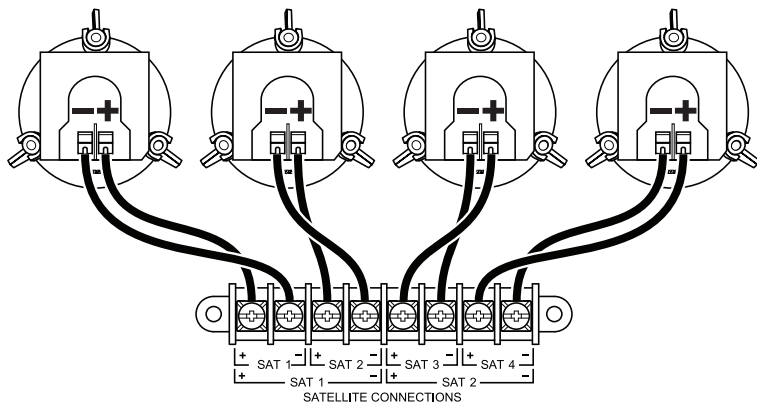
Connectez le module de basses Acoustimass FreeSpace 3 série II aux enceintes satellites FreeSpace 3 encastrables ou pour un montage en surface. (Sur cette page, le module Acoustimass série II est connecté aux enceintes satellites encastrables. Vous pouvez remplacer les enceintes satellites pour montage en surface par des enceintes satellites encastrables du moment que vous respectez la polarité du câblage.)

Vous pouvez utiliser le module Acoustimass FreeSpace 3 série II avec d'autres enceintes Bose, y compris mais sans s'y limiter les modèles FreeSpace, DesignMax ou Panaray. Dans ce cas, veuillez connecter directement les deux enceintes et le module à l'amplificateur en utilisant des canaux distincts. Assurez-vous d'avoir mis en œuvre le filtrage passe-bande adéquat et/ou l'égalisation recommandée (si disponible) pour toutes les autres enceintes. Visitez le site **PRO.BOSE.COM** et reportez-vous à la fiche technique de chaque modèle.

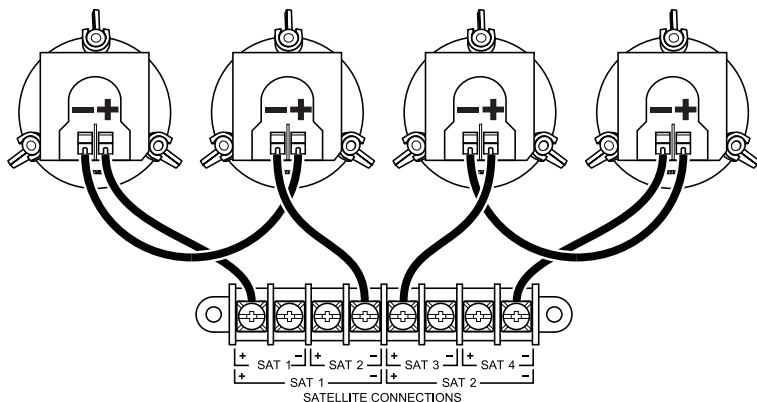
Deux enceintes satellites



Quatre enceintes satellites



Quatre enceintes satellites (méthode alternative en série)



Préparation de l'installation

Positionnement de l'enceinte

Remarque : une installation à proximité immédiate de surfaces de cuisson, où l'enceinte peut être exposée directement à des huiles de cuisson, de la vapeur ou des températures élevées, comme dans une cuisine en milieu professionnel, peut réduire les performances ou la fiabilité de l'enceinte.

Utilisation d'un câble de sécurité

Le code de l'urbanisme de certaines régions impose l'utilisation d'une méthode secondaire de fixation des enceintes aux structures porteuses pour apporter une sécurité supplémentaire. Pour le montage, choisissez une position, une méthode et des accessoires compatibles avec le code de l'urbanisme local.

Bose recommande l'utilisation d'un fil de sécurité ou d'un câble de sécurité comme dispositif de sécurité secondaire pour le module de basses Acoustimass série II et les enceintes satellites encastrables. Suivez les instructions du fabricant pour toute mise en œuvre d'un dispositif de sécurité secondaire.

Chaque modèle d'enceinte dispose d'un ou de plusieurs points de fixation :

Module de basses Acoustimass série II Retirez la vis M6 de la plaque arrière, puis fixez un câble de sécurité au niveau du trou de vis.

Enceintes satellites encastrables Fixez un câble de sécurité au niveau de l'ouverture sur l'onglet métallique de la plaque arrière.

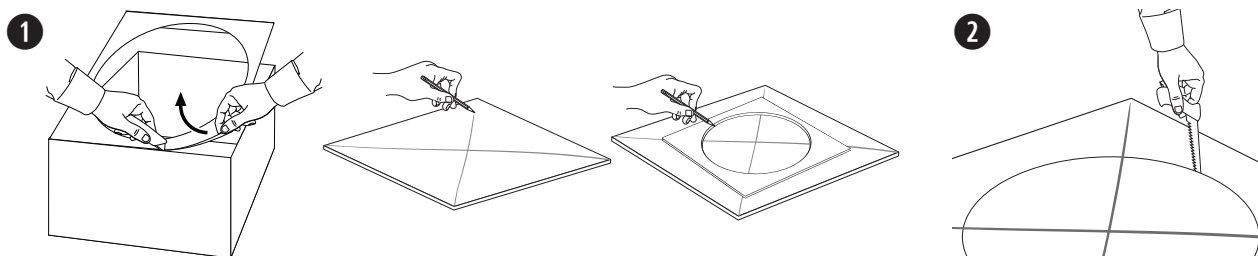
Préparation du plafond et accessoires

Avant d'installer le module de basses ou les enceintes satellites, suivez les instructions ci-dessous pour préparer le plafond et les accessoires nécessaires à l'installation. Consultez les **options d'installation** (page 23) pour prendre connaissance de la liste des accessoires nécessaires ou facultatifs pour chaque modèle d'enceinte.

Préparation de la dalle acoustique de plafond

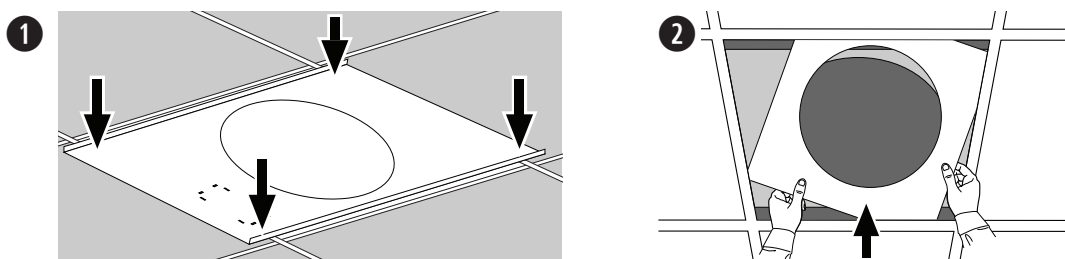
Découpe de la dalle du plafond

1. Retirez la dalle et utilisez le gabarit pour tracer le contour d'une enceinte sur la dalle. Pour centrer le gabarit sur la dalle, dessinez une croix (X) en reliant les angles en diagonale et centrez le gabarit au point d'intersection.
2. Découpez une ouverture dans la dalle.



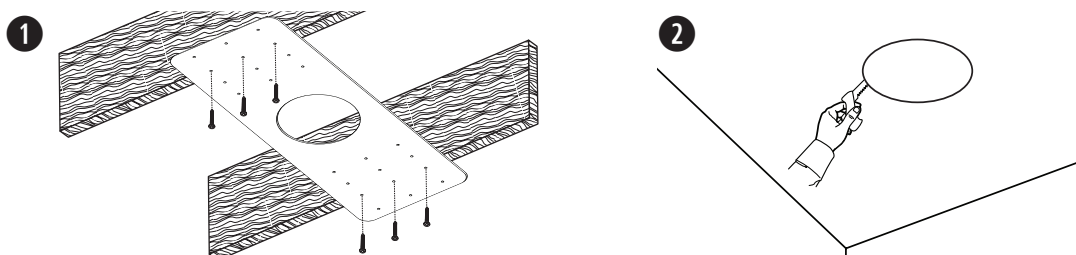
Installation de la plaque de renfort pour plafond à dalles

1. Placez la plaque de renfort sur l'ossature du plafond. Si nécessaire, ajustez la plaque de renfort de sorte que les bras reposent sur l'ossature.
2. Remettez en place la dalle au plafond.



Préparation d'un plafond dur pour une installation avec plaque de montage (nouvelle construction)

1. Fixez la plaque de montage à la fourrure ou aux poutres en bois du plafond. La plaque de montage comprend plusieurs trous pré-perçés correspondant à différents espacements de poutres, ainsi que différentes configurations d'enceintes (orientation et positionnement).
2. Une fois le faux plafond terminé, découpez une ouverture dans le plafond en vous servant de la plaque de montage comme guide.



Montage de l'enceinte

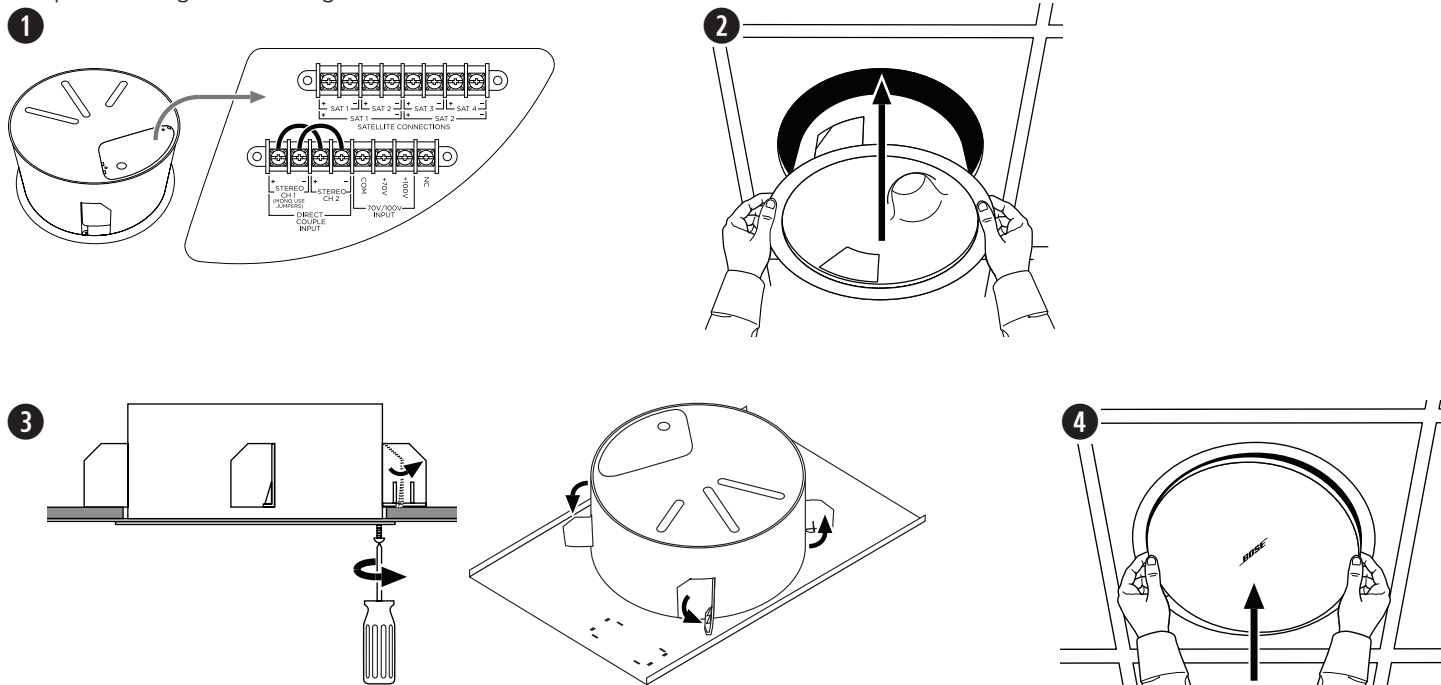
Module de basses Acoustimass série II

1. Vérifiez que vous avez effectué tous les câblages nécessaires au niveau de l'enceinte. Consultez la section **Câblage des enceintes** (page 24) pour plus d'informations sur le câblage.
2. Insérez l'enceinte dans l'ouverture et à l'intérieur de la plaque de renfort ou de la plaque de montage en faux plafond. Maintenez l'enceinte en place.
3. Serrez les vis des bras de fixation pour fixer l'enceinte. En cas d'utilisation d'une visseuse électrique, réglez celle-ci sur un couple faible. Vérifiez que les fixations sont bien serrées avant de relâcher l'enceinte.



AVERTISSEMENT : un serrage excessif des vis peut endommager les points de fixation ou le plafond, ce qui pourrait créer un risque de chute.

4. Avec vos deux mains, positionnez la grille sur l'enceinte. Placez délicatement la grille contre l'enceinte pour la fixer. Vous pouvez faire pivoter le logo une fois la grille fixée.



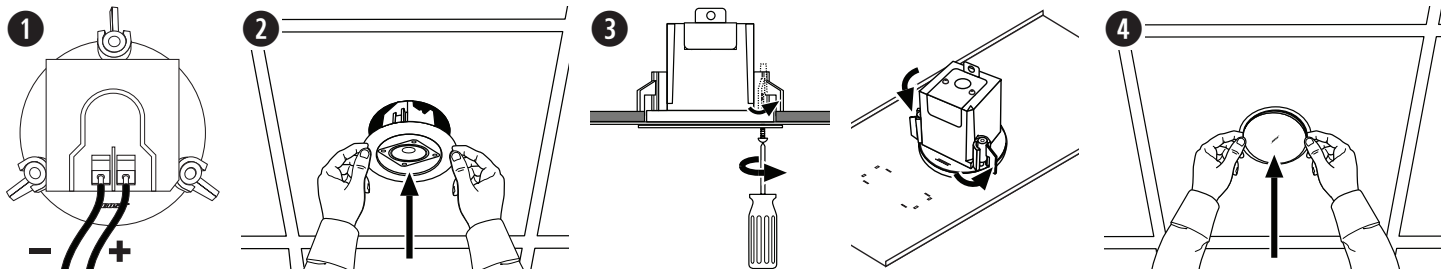
Enceintes satellites encastrables

1. Vérifiez que vous avez effectué tous les câblages nécessaires au niveau de l'enceinte. Consultez la section **Câblage des enceintes** (page 24) pour plus d'informations sur le câblage.
2. Insérez l'enceinte dans l'ouverture et à l'intérieur de la plaque de renfort ou de la plaque de montage en faux plafond. Maintenez l'enceinte en place.
3. Serrez les vis des bras de fixation pour fixer l'enceinte. En cas d'utilisation d'une visseuse électrique, réglez celle-ci sur un couple faible. Vérifiez que les fixations sont bien serrées avant de relâcher l'enceinte.



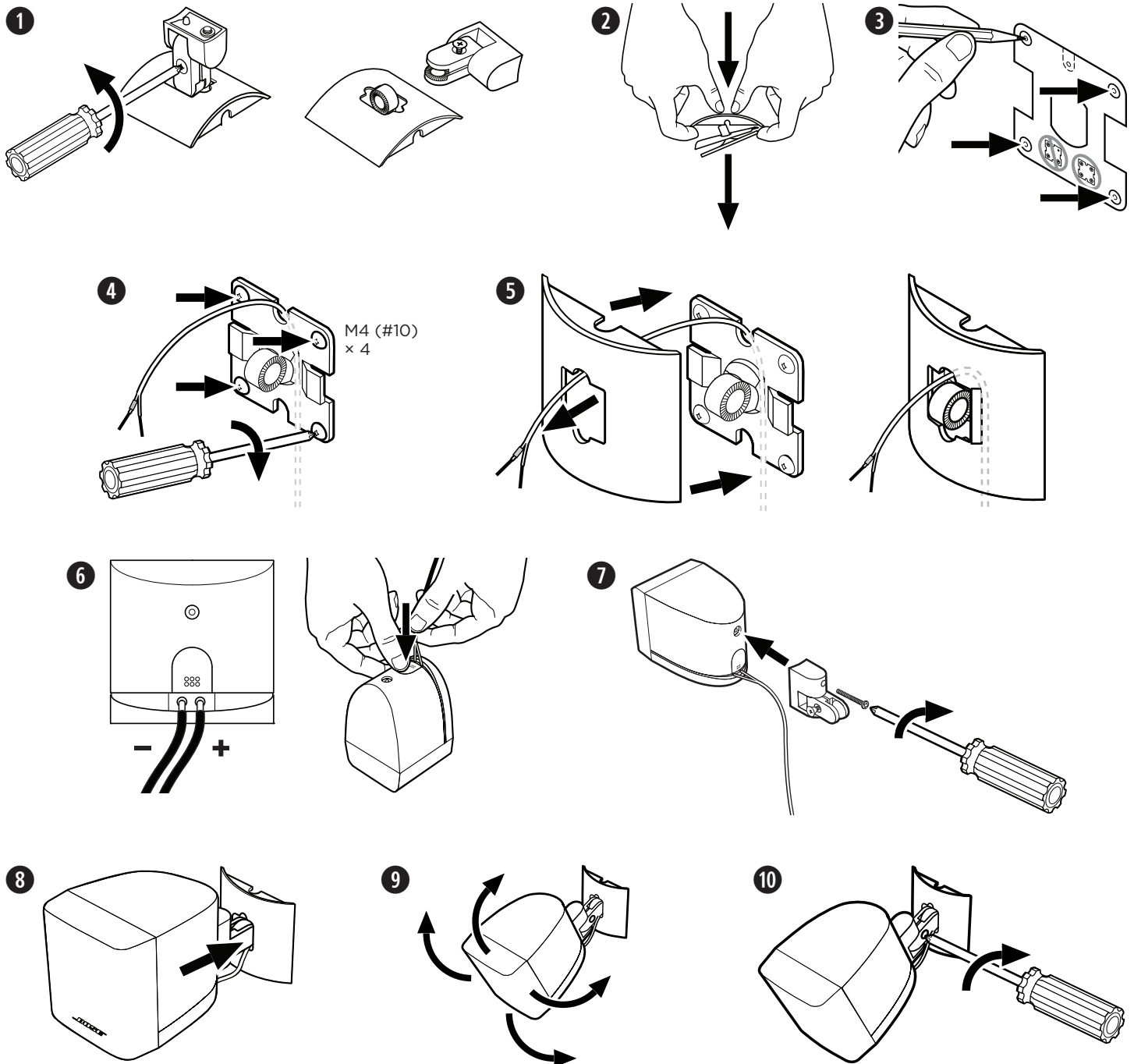
AVERTISSEMENT : un serrage excessif des vis peut endommager les points de fixation ou le plafond, ce qui pourrait créer un risque de chute.

4. Avec vos deux mains, positionnez la grille sur l'enceinte. Placez délicatement la grille contre l'enceinte pour la fixer.



Enceintes satellites pour montage en surface

1. Dévissez la vis qui permet de fixer le bras de l'enceinte au support de montage mural, puis séparez les deux parties.
2. Séparez la plaque arrière du support de montage mural.
3. Utilisez le gabarit pour marquer sur le mur le centre de chaque trou de vis.
4. Insérez les quatre vis M4 (#10) pour fixer au mur la plaque du support de montage mural. Vérifiez que l'emplacement de sortie du câble de l'enceinte au niveau du mur est bien en face de l'encoche située sur la plaque.
5. Remplacez le couvercle du support de montage mural sur la plaque en faisant passer le câble de l'enceinte par son ouverture centrale.
6. Raccordez le câble à l'enceinte. Consultez la section **Câblage des enceintes** (page 24) pour plus d'informations sur le câblage.
7. Utilisez la vis fournie pour fixer le bras de l'enceinte au niveau de l'insert fileté situé sur le panneau arrière de l'enceinte.
8. Placez le bras de l'enceinte sur le support de montage mural en prenant soin d'aligner les deux parties de l'axe pivotant (que vous avez dissociées à l'étape 1).
9. Réglez l'inclinaison verticale et horizontale de l'enceinte selon vos envies.
10. Insérez la vis (que vous avez retirée à l'étape 1) dans l'axe pivotant. Serrez la vis pour fixer l'enceinte au support mural selon l'inclinaison souhaitée.




Bitte lesen Sie alle Sicherheitshinweise und Gebrauchsanleitungen durch und bewahren Sie sie auf.

Dieses Produkt darf nur von fachkundigen Monteuren installiert werden! Dieses Dokument soll fachkundigen Monteuren grundlegende Installations- und Sicherheitsrichtlinien für dieses Produkt in typischen Festinstallationen bieten. Bitte lesen Sie dieses Dokument und alle Sicherheitshinweise vor der Installation durch.


Versuchen Sie nicht, dieses Produkt selbst zu warten. Lassen Sie jegliche Reparatur- und Wartungsarbeiten nur von autorisierten Servicepartnern, Monteuren, Technikern, Händlern oder Distributoren durchführen.

Die Bose Professional Kontaktdaten für Ihr Land finden Sie auf **PRO.BOSE.COM**.

1. Lesen Sie die folgenden Anweisungen.
2. Bewahren Sie die Anweisungen auf.
3. Beachten Sie alle Warn- und Sicherheitshinweise.
4. Befolgen Sie alle Anweisungen.
5. Verwenden Sie dieses Gerät nicht in der Nähe von Wasser.
6. Reinigen Sie das Gerät nur mit einem sauberen, trockenen Tuch.
7. Achten Sie darauf, dass die Lüftungsöffnungen nicht blockiert sind. Stellen Sie das Gerät nur in Übereinstimmung mit den Herstelleranweisungen auf.
8. Stellen Sie das Gerät nicht in der Nähe von Wärmequellen auf, wie zum Beispiel Heizkörpern, Wärmespeichern, Öfen oder anderen Geräten (auch Verstärkern), die Wärme erzeugen.
9. Verwenden Sie nur Zubehör-/Anbauteile, die vom Hersteller zugelassen sind.




WARNHINWEISE



Dieses Produkt enthält magnetische Materialien. Wenden Sie sich an Ihren Arzt, wenn Sie wissen möchten, ob dies den Betrieb Ihres implantierten medizinischen Geräts beeinflussen kann.

- Alle Produkte von Bose müssen gemäß den örtlichen und staatlichen Vorschriften sowie gemäß allen Branchenbestimmungen installiert werden. Der Monteur ist dafür verantwortlich, sicherzustellen, dass die Installation der Lautsprecher und der Halterung gemäß allen geltenden Vorschriften durchgeführt wird, einschließlich örtlicher Bauvorschriften und -bestimmungen. Wenden Sie sich vor der Installation dieses Produkts an die zuständige abnehmende Behörde.
- Eine nicht ausreichend gesicherte Montage schwerer Lasten oder deren Aufhängung über Kopf kann zu schweren oder tödlichen Verletzungen und Sachschäden führen. Der Monteur ist dafür verantwortlich, die Zuverlässigkeit der für die Anwendung verwendeten Befestigungstechniken zu prüfen. Nur fachkundige Monteure mit Wissen über sachgemäße Befestigungselemente und sichere Befestigungstechniken sollten Lautsprecher über Kopf installieren.
- Montieren Sie das Produkt nicht an Orten, an denen es starker Feuchtigkeit ausgesetzt ist oder Kondenswasser auftreten kann.
- Dieses Produkt ist nicht für die Installation oder Verwendung in Feuchtbereichen (zum Beispiel Schwimmbädern, Wasserparks, Räumen mit Whirlpools, Saunas, Dampfbädern und Eislaufbahnen) gedacht.
- Bei der Montage ist auf eine tragfähige Oberfläche zu achten, in deren Nähe sich keine Einrichtungen wie strom- oder wasserführende Leitungen befinden. Wenden Sie sich im Zweifelsfall mit der Montage der Halterung an einen fachkundigen Monteur.
- Verwenden Sie ausschließlich die im Lieferumfang enthaltene oder von Bose zugelassene Hardware und entsprechende Zubehörteile. Befestigungselemente für das Anbringen der Montagehalterung auf der Montagefläche sind nicht im Lieferumfang enthalten. Informationen zu kompatiblen Zubehörteilen finden Sie in den technischen Datenblättern auf **PRO.BOSE.COM**.
- Platzieren oder montieren Sie das Produkt nicht in der Nähe von Wärmequellen, zum Beispiel Kaminen, Radiatoren, Heizkörpern oder anderen Apparaten (zum Beispiel Verstärkern), die Wärme produzieren.
- Halten Sie das Produkt von Feuer und Wärmequellen fern. Stellen Sie keine brennenden Kerzen oder ähnliches auf das Gerät oder in die Nähe des Geräts.
- Nehmen Sie keine nicht genehmigten Änderungen an diesem Produkt vor.
- Stellen Sie sicher, dass der Lautsprecher und die Montagekomponenten nicht mit chemischen Substanzen in Berührung kommen, die nicht von Bose zugelassen sind. Dies umfasst unter anderem Schmiermittel, Reinigungsmittel, Kontaktspray oder andere Lösungsmittel auf Kohlenwasserstoffbasis. Der Kontakt mit solchen Mitteln kann zu Rissen im Kunststoffmaterial und infolgedessen zum Herunterfallen führen.
- Die Lautsprecher nur mit einem weichen, trockenen Tuch reinigen. Verwenden Sie zur Reinigung niemals Seife, Spülmittel, Mineralöl, Alkohol oder sonstige Reinigungsmittel oder Chemikalien.



Leistungsdaten

	Eingangsspannung	Impedanz	Nennleistung
Series II Acoustimass Bassmodul	70 V/100 V	6 Ω Mono direkt, Übertrager überbrückt	25 W, 50 W, 100 W, 200 W
Flush-Mount Satellites	-	6 Ω	-
Surface-Mount Satellites	-	6 Ω pro Kanal (4-Satelliten-System); 5 Ω pro Kanal (2-Satelliten-System)	-

Gesetzliche Hinweise

CE Dieses Produkt entspricht allen Anforderungen der geltenden EU-Richtlinien. Die vollständige Konformitätserklärung ist einsehbar unter: www.bose.com/compliance.

UKCA Dieses Produkt erfüllt alle geltenden Vorschriften zur elektromagnetischen Verträglichkeit 2016 und alle anderen zutreffenden UK-Richtlinien. Die vollständige Konformitätserklärung ist einsehbar unter www.bose.com/compliance

 Dieses Symbol bedeutet, dass das Produkt nicht mit dem Hausmüll entsorgt werden darf, sondern bei einer geeigneten Sammelstelle für das Recycling abgegeben werden muss. Die ordnungsgemäße Entsorgung und das Recycling tragen dazu bei, die natürlichen Ressourcen, die Gesundheit und die Umwelt zu schützen. Weitere Informationen zur Entsorgung und zum Recycling dieses Produkts erhalten Sie von Ihrer zuständigen Kommune, Ihrem Entsorgungsdienst oder dem Geschäft, in dem Sie dieses Produkt gekauft haben.

Tabelle zur Einschränkung gefährlicher Stoffe für China

Namen und Inhalt der giftigen oder gefährlichen Stoffe oder Elemente						
Name des Teils	Gefährliche Stoffe oder Elemente					
	Blei (Pb)	Quecksilber (Hg)	Kadmium (Cd)	Sechswertig (CR(VI))	Polybromiertes Biphenyl (PBB)	Polybromierter Diphenylether (PBDE)
PCBs	X	0	0	0	0	0
Metallteile	X	0	0	0	0	0
Kunststoffteile	0	0	0	0	0	0
Lautsprecher	X	0	0	0	0	0
Kabel	X	0	0	0	0	0

Diese Tabelle wurde in Übereinstimmung mit den Bestimmungen von SJ/T 11364 erstellt.

O: Gibt an, dass dieser giftige oder gefährliche Stoff, der in allen homogenen Materialien für dieses Teil enthalten ist, unter den Grenzwerten gemäß GB/T 26572 liegt.

X: Gibt an, dass dieser giftige oder gefährliche Stoff, der in mindestens einem der homogenen Materialien enthalten ist, die für dieses Teil verwendet wurden, über den Grenzwerten gemäß GB/T 26572 liegt.

Tabelle mit Vorgaben zur Einschränkung der Verwendung bestimmter gefährlicher Stoffe in Taiwan

Gerätebezeichnung:	Typenbezeichnung:
FreeSpace 3 Series II Acoustimass Bassmodul	040147, 040148
FreeSpace 3 Flush-Mount Satellites	040150, 040149
FreeSpace 3 Surface-Mount Satellites	040144, 040143

Stoffe mit eingeschränkter Verwendung und ihre chemischen Symbole						
Einheit	Blei (Pb)	Quecksilber (Hg)	Kadmium (Cd)	Sechswertiges Chrom (Cr+6)	Polybromierte Biphenyle (PBB)	Polybromierte Diphenylether (PBDE)
PCBs	-	o	o	o	o	o
Metallteile	-	o	o	o	o	o
Kunststoffteile	o	o	o	o	o	o
Lautsprecher	-	o	o	o	o	o
Kabel	-	o	o	o	o	o

Hinweis 1: „o“ zeigt an, dass der prozentuale Gehalt des Stoffes mit eingeschränkter Verwendung den Prozentsatz des Referenzwertes des Vorhandenseins nicht überschreitet.

Hinweis 2: „-“ gibt an, dass der Stoff mit eingeschränkter Verwendung der Ausnahme entspricht.

Herstellungsdatum: Die achte Ziffer in der Seriennummer gibt das Herstellungsjahr an: „7“ ist 2007 oder 2017.

Importeur aus China: Bose Electronics (Shanghai) Company Limited, Level 6, Tower D, No. 2337 Gudai Rd. Minhang District, Shanghai 201100

Importeur aus UK: Bose Limited, Bose House, Quayside Chatham Maritime, Chatham, Kent, ME4 4QZ, Vereinigtes Königreich

Importeur aus der EU: Bose Products B.V., Gorslaan 60, 1441 RG Purmerend, Niederlande

Importeur aus Mexiko: Bose de México, S. de R.L. de C.V., Paseo de las Palmas 405-204, Lomas de Chapultepec, 11000 México, D.F. Importeur- und Serviceinformationen erhalten Sie unter: +5255 (5202) 3545

Importeur aus Taiwan: Bose Taiwan Branch, 9F-A1, No. 10, Section 3, Minsheng East Road, Taipei City 104, Taiwan. Tel.: +886-2-2514 7676

Hauptsitz der Bose Corporation: 1-877-230-5639

Bose, Acoustimass, DesignMax, FreeSpace und Panaray sind Marken der Bose Corporation.

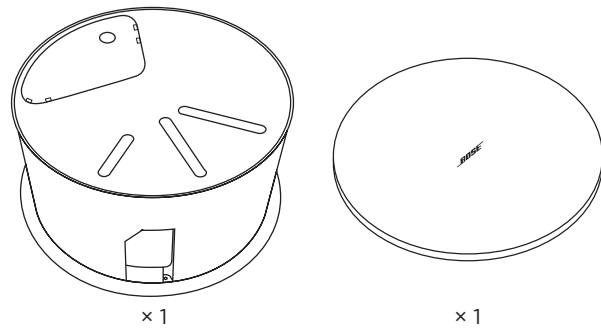
©2022 Bose Corporation. Dieses Dokument darf ohne vorherige schriftliche Genehmigung weder ganz noch teilweise reproduziert, verändert, vertrieben oder in anderer Weise verwendet werden.

Garantiehinweise

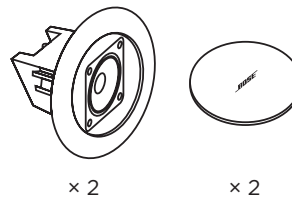
Für dieses Produkt gilt eine eingeschränkte Garantie.
Informationen zur Gewährleistung finden Sie unter **PRO.BOSE.COM**.

Verpackungsinhalt

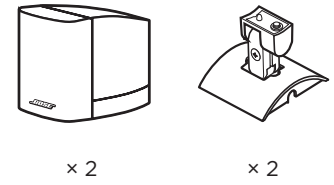
Series II Acoustimass Bassmodul



Flush-Mount Satellites

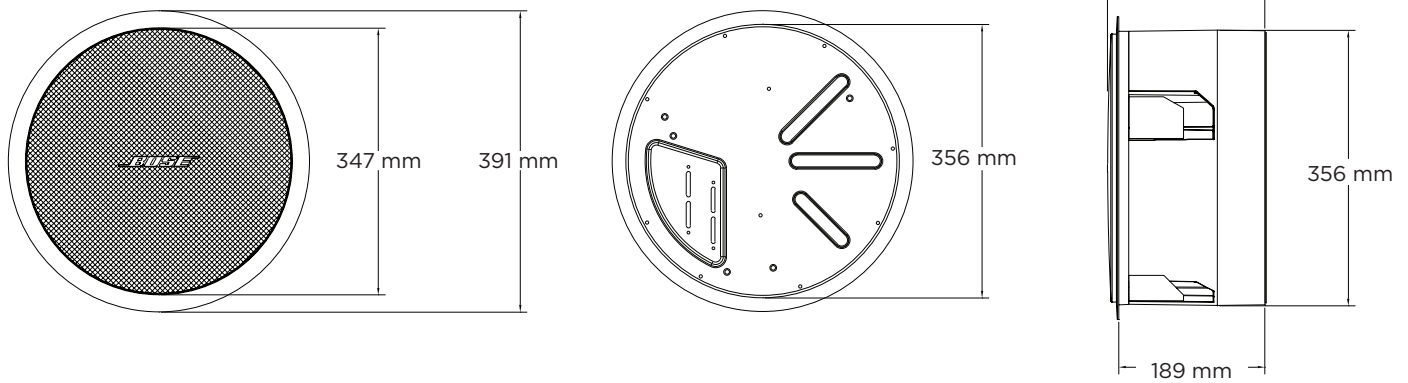


Surface-Mount Satellites

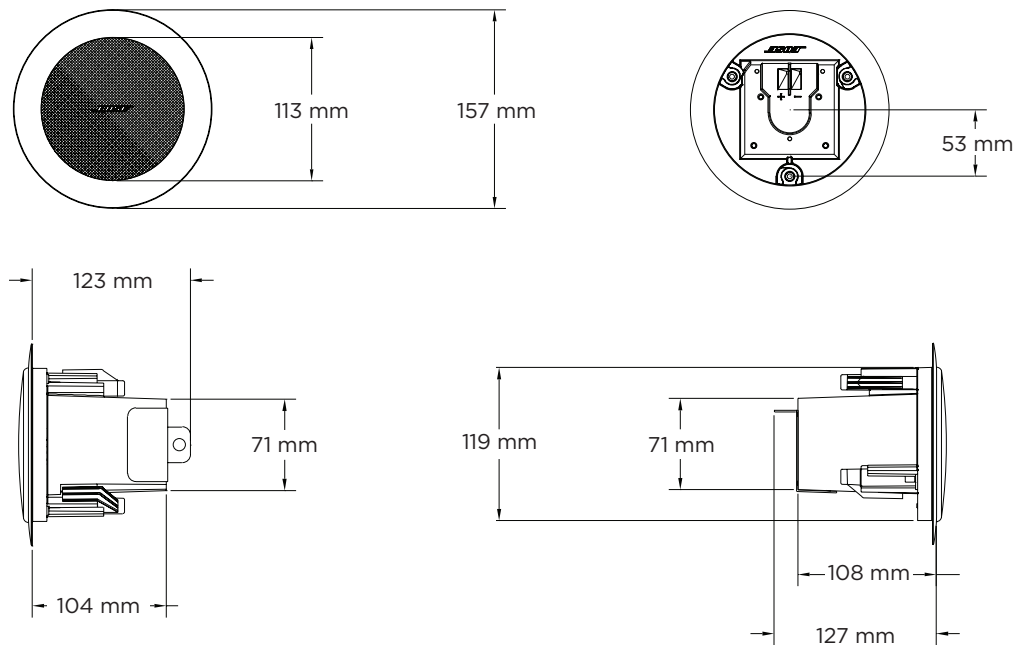


Produktabmessungen

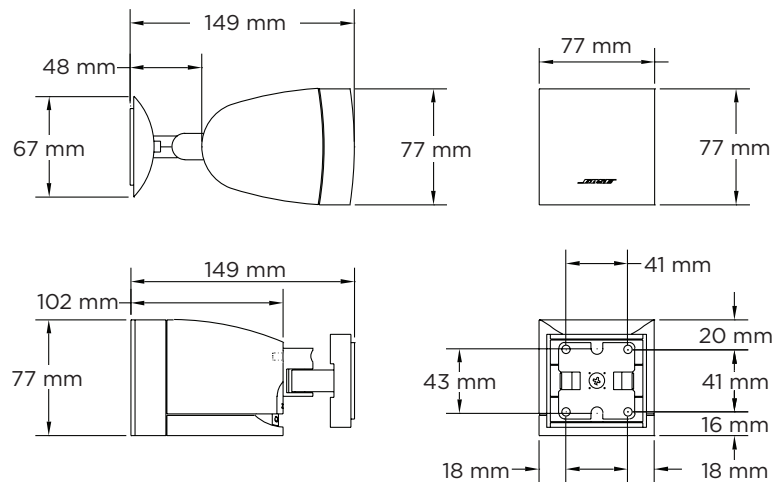
Series II Acoustimass Bassmodul



Flush-Mount Satellites



Surface-Mount Satellites



Technische Spezifikationen

Weitere Daten, Anweisungen und technische Informationen zu den FreeSpace Lautsprechern finden Sie unter [bosepro.link/freespace](https://www.bosepro.link/freespace).

	Series II Acoustimass Bassmodul	Flush-Mount Satellites	Surface-Mount Satellites
Produktabmessungen			
Höhe × Breite	391 mm (Außendurchmesser)	157 mm (Außendurchmesser)	77 × 77 mm
Tiefe	190 mm	123 mm	Ohne Halterung: 102 mm Mit Halterung: 149 mm
Deckenabmessungen			
Durchmesser der Aussparung	362 mm	127 mm	Nicht zutreffend
Maximale Stärke	48 mm	38 mm	Nicht zutreffend
Gewicht			
Netto	6,4 kg	0,9 kg	0,8 kg
Versand	9,1 kg	2,3 kg	1,8 kg

Sicherheitshinweise und gesetzliche Bestimmungen

Das Bose FreeSpace 3 Series II Acoustimass Module und die Flush-Mount Satellites sind gemäß UL-Sicherheitsvorschriften gelistet als:

Allgemeine Lautsprecher gemäß UL1480, UL-Kategorie UEAY, Aktenzeichen S 5591

Geeignet für die Verwendung in Innenbereichen unter feuchten Bedingungen.

Geeignet für die Installation mit Class 1, Class 2 und Class 3 Verkabelungsverfahren gemäß NFPA 70, National Electrical Code, 2002, Article 640

Geeignet für den sicheren Gebrauch in abgehängten Decken mit PC-FS3B und PC-FS3F Bodenabdeckungen:

UL-2043, Brandprüfung für die Abgabe von Wärme und sichtbarem Rauch durch Einzelprodukte und ihre Zubehörteile in Klimaräumen

NFPA 70, National Electrical Code, 2002, Article 300.22(C)

NFPA 90A, 2002, Installation of Air Conditioning and Ventilation Systems, Paragraph 4.3.10.2.6.5

Die in dieser Anleitung beschriebenen FreeSpace 3 Surface-Mount Satellites sind nicht UL-gelistet.



Wichtige Installationshinweise



Der Monteur ist dafür verantwortlich, sicherzustellen, dass die Installation der Lautsprecher und der Halterung gemäß allen geltenden Vorschriften durchgeführt wird, einschließlich örtlicher Bauvorschriften und -bestimmungen. Wenden Sie sich vor der Installation dieses Produkts an die zuständige abnehmende Behörde.

Die Gewährleistung der Sicherheit der Lautsprechermontage obliegt demjenigen, der den Lautsprecher anbringt. Die fehlerhafte Montage des Lautsprechers kann zu Sach- und Personenschäden bis hin zur Todesfolge führen.

Montieren Sie das Produkt nicht an Orten, an denen es starker Feuchtigkeit ausgesetzt ist oder Kondenswasser auftreten kann.

Dieses Produkt ist nicht für die Installation oder Verwendung in Feuchtbereichen (zum Beispiel Schwimmbädern, Wasserparks, Räumen mit Whirlpools, Saunas, Dampfbädern und Eislaufbahnen) gedacht.

Achten Sie darauf, dass die Lüftungsöffnungen nicht blockiert sind. Stellen Sie das Gerät nur in Übereinstimmung mit den Herstelleranweisungen auf.

Stellen Sie das Gerät nicht in der Nähe von Wärmequellen auf, wie zum Beispiel Heizkörpern, Wärmespeichern, Öfen oder anderen Geräten (auch Verstärkern), die Wärme erzeugen. Halten Sie das Produkt von Feuer und Wärmequellen fern. Stellen Sie keine brennenden Kerzen oder ähnliches auf das Gerät oder in die Nähe des Geräts.

Bei der Montage ist auf eine tragfähige Oberfläche zu achten, in deren Nähe sich keine Einrichtungen wie strom- oder wasserführende Leitungen befinden. Wenden Sie sich im Zweifelsfall mit der Montage der Halterung an einen fachkundigen Monteur. Bei der Montage der Halterung ist auf die Einhaltung der örtlichen Bauvorschriften zu achten.

Werkzeuge für das Anbringen des Lautsprechers sind nicht im Lieferumfang enthalten. Fragen Sie eine Fachkraft nach den geeigneten Montagewerkzeugen, bevor Sie den Lautsprecher anbringen.

Stellen Sie sicher, dass der Lautsprecher und die Montagekomponenten nicht mit chemischen Substanzen in Berührung kommen, die nicht von Bose zugelassen sind. Dies umfasst unter anderem Schmiermittel, Reinigungsmittel, Kontaktspray oder andere Lösungsmittel auf Kohlenwasserstoffbasis. Der Kontakt mit solchen Mitteln kann zu Rissen im Kunststoffmaterial und infolgedessen zum Herunterfallen führen.

Installationsoptionen

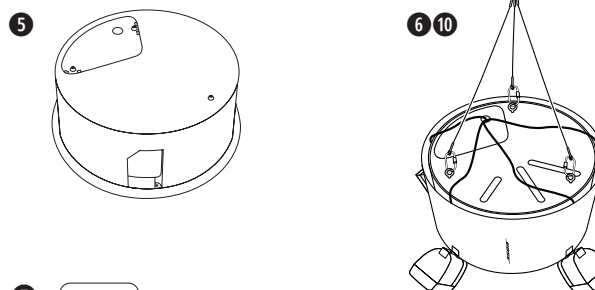
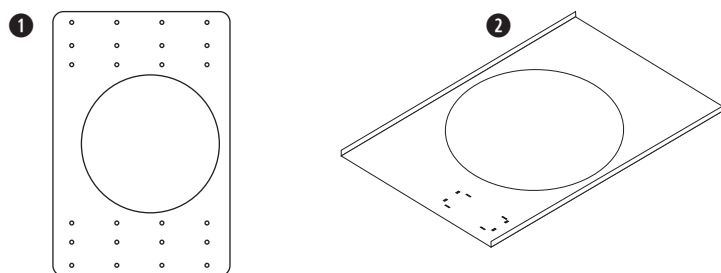
Series II Acoustimass Bassmodul

Erforderlich

- 1 FreeSpace 3BF Subwoofer Rough-in-Pan-Montageplatte oder
- 2 FreeSpace 3BF Subwoofer Tile Bridge

Optional

- 3 FreeSpace 3BF Subwoofer Pendant-Mount-Kit für die abgehängte Montage
- 4 FreeSpace 3BF Subwoofer Aufbaumontage-Kit
- 5 FreeSpace 3BF Subwoofer Bodenabdeckung
- 6 FreeSpace Omni-Pendant-Mount-Kit für die abgehängte Montage



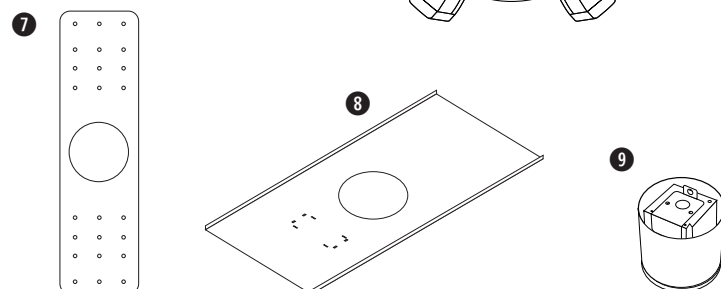
Flush-Mount Satellites

Erforderlich

- 7 FreeSpace 3F Satelliten-Lautsprecher Rough-in-Pan-Montageplatte oder
- 8 FreeSpace 3F Satelliten-Lautsprecher Tile Bridge

Optional

- 9 FreeSpace 3F Satelliten-Lautsprecher Cosmetic Covers



Verkabeln der Lautsprecher

Kabeldurchmesser

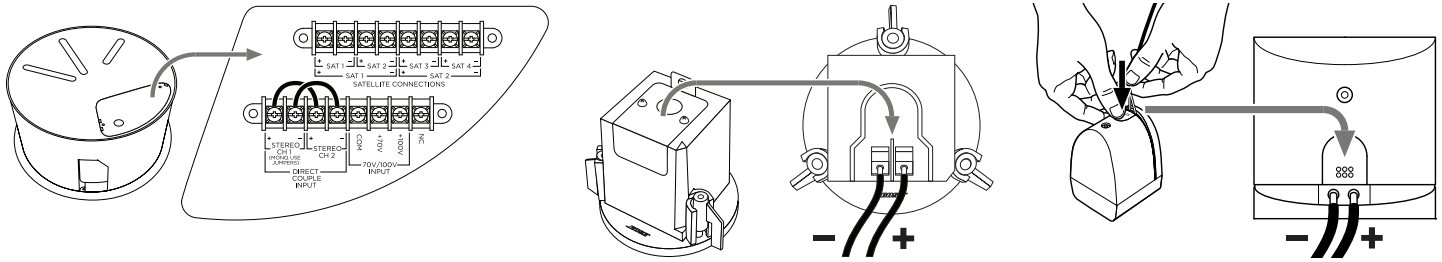
Die FreeSpace 3 Lautsprecher wurden für den ausschließlichen Gebrauch mit Kabeln der Größen 18 AWG (0,8 mm²) bis 14 AWG (2,1 mm²) entwickelt.

Kabelanschlüsse

Series II Acoustimass Bassmodul: Nehmen Sie die hintere Abdeckplatte ab, um auf die Kabelanschlüsse zuzugreifen. Bringen Sie die hintere Abdeckplatte wieder an, sobald Sie alle Kabel wie gewünscht eingesteckt haben.

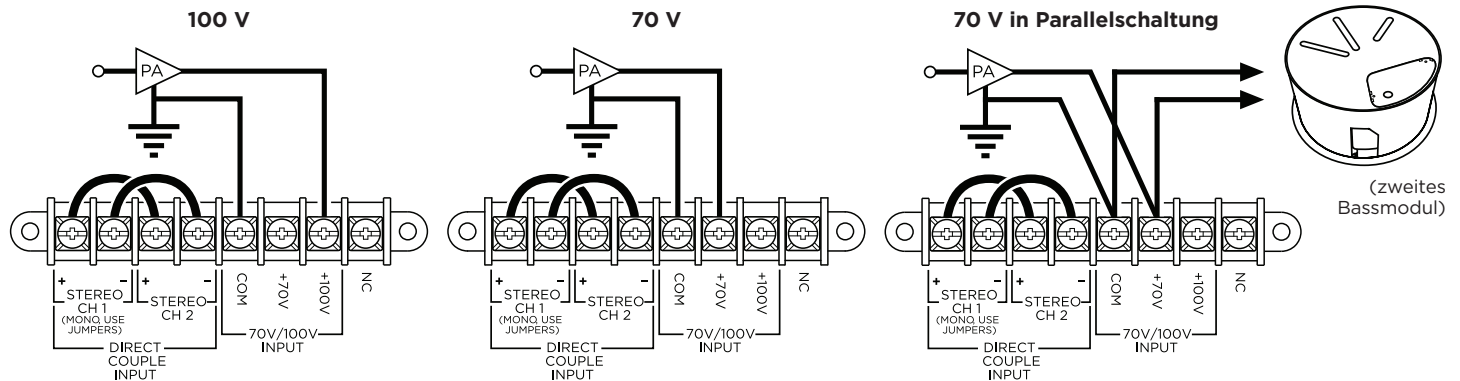
Flush-Mount Satellites: Nehmen Sie die hintere Abdeckplatte ab, um auf die Kabelanschlüsse zuzugreifen. Bringen Sie die hintere Abdeckplatte wieder an, sobald Sie alle Kabel wie gewünscht eingesteckt haben.

Surface-Mount Satellites: Halten Sie beim Einstecken der Kabel die Vorrichtung an der Rückseite gedrückt, um das Kabel vollständig einzustecken.



Anschluss des Verstärkerausgangs

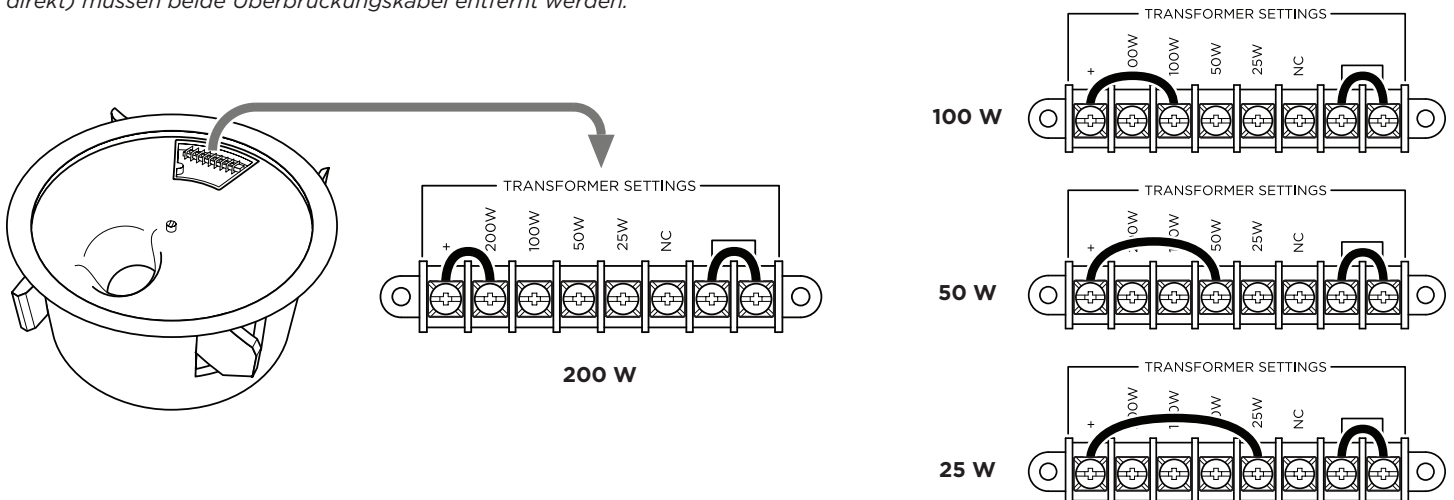
ACHTUNG: Schließen Sie alle Kabelverbindungen an, bevor Sie einen Verstärker an die Stromversorgung anschließen oder einschalten.



Einstellungen des Leistungsabgriffes am Übertrager

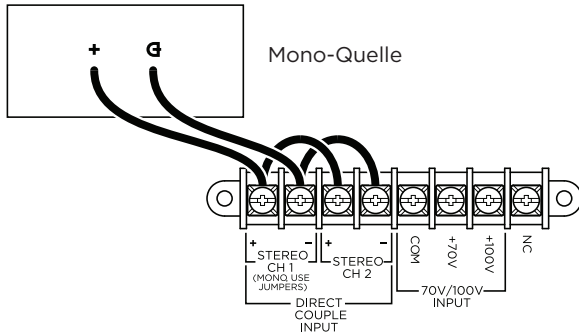
Der Leistungsabgriff am Übertrager ist werkseitig auf **200 W** eingestellt. Um eine niedrigere Leistung einzustellen, entfernen Sie das Ende des + Überbrückungskabels, das an die **200 W**-Klemme angeschlossen ist, und bringen Sie es an dem entsprechenden Übertrager an: **100 W**, **50 W**, oder **25 W**.

Hinweis: Die Überbrückungskabel sind für den Betrieb mit 70 V/100 V erforderlich. Für den Betrieb mit 6 Ω (Übertrager überbrückt/direkt) müssen beide Überbrückungskabel entfernt werden.



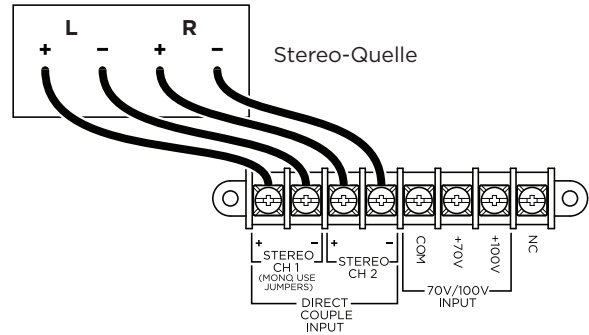
Niederohmig (Mono direkt)

Um den Übertrager zu umgehen und den Lautsprecher für den Einsatz mit **4 Ω** und Mono-Sound vorzubereiten, entfernen Sie die beiden Überbrückungskabel von den Übertrager-Einstellungen auf der Vorderseite der Lautsprecher. Lassen Sie die Überbrückungskabel an den Eingängen **CH1** und **CH2** auf der Rückseite des Lautsprechers unverändert.



Niederohmig (Stereo direkt)

Um den Übertrager zu umgehen und den Lautsprecher für den Einsatz mit **6 Ω** und Stereo-Sound vorzubereiten, entfernen Sie alle Überbrückungskabel.



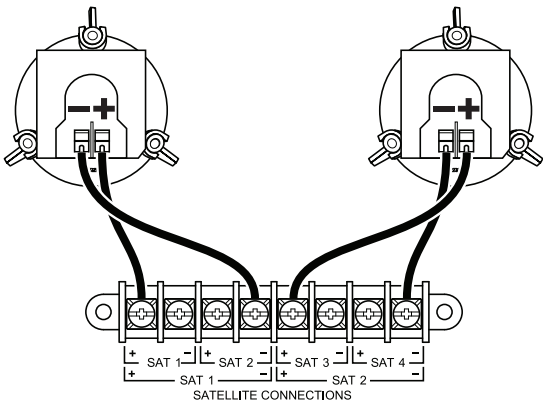
Anschluss von Satelliten-Lautsprechern

ACHTUNG: Schließen Sie ausschließlich FreeSpace 3 Satelliten-Lautsprecher direkt an das Modul an.

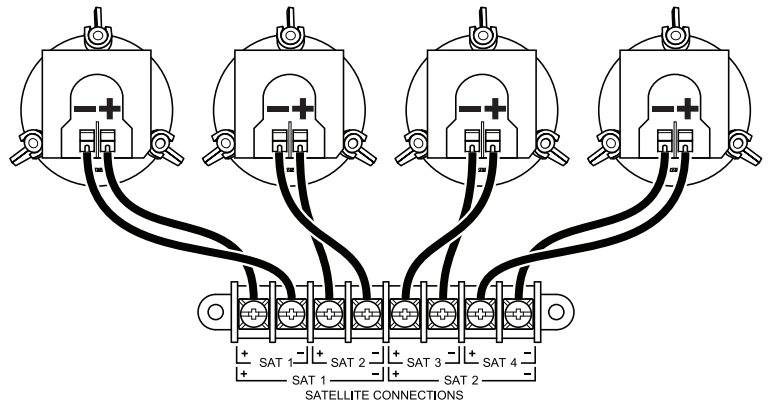
Schließen Sie das FreeSpace 3 Series II Acoustimass Bassmodul an die FreeSpace 3 Flush-Mount Satellites oder Surface-Mount Satellites an. (Auf dieser Seite ist das Series II Acoustimass Modul abgebildet, das mit den Flush-Mount Satellites verbunden ist. Sie können Surface-Mount Satellites durch alle Flush-Mount Satellites ersetzen, solange Sie sie mit der richtigen Polarität verdrahten.)

Sie können das FreeSpace 3 Series II Acoustimass Modul auch mit anderen Bose Lautsprechern verwenden, unter anderem mit FreeSpace, DesignMax und Panaray Modellen. Schließen Sie in diesem Fall sowohl die Lautsprecher als auch das Modul über separate Kanäle direkt an den Verstärker an. Stellen Sie sicher, dass Sie bei allen anderen Lautsprechern eine geeignete Bandpassfilterung und/oder die empfohlene Entzerrung (falls vorhanden) anwenden. Die technischen Datenblätter für jedes Modell finden Sie unter **PRO.BOSE.COM**.

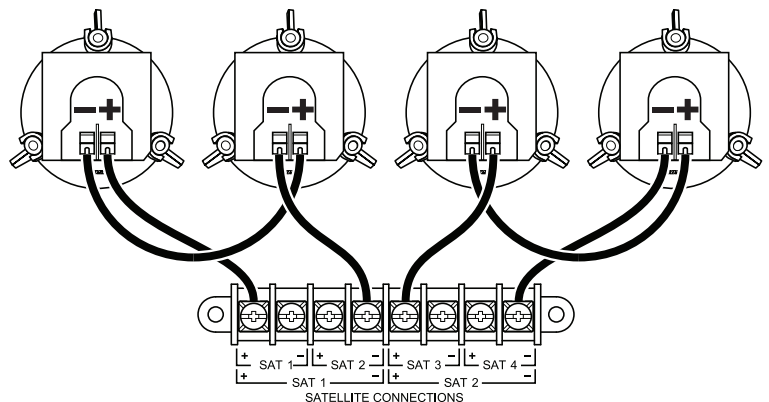
2 Satelliten



4 Satelliten



4 Satelliten (alternativ in Reihenschaltung)



Vorbereitung der Montage

Platzierung der Lautsprecher

Hinweis: Eine Installation in unmittelbarer Nähe einer Kochstelle, wo der Lautsprecher Speiseöl, Dämpfen oder hohen Temperaturen ausgesetzt ist (wie z. B. in gewerblichen Räumlichkeiten mit Kochstellen), kann die Leistung oder Zuverlässigkeit des Lautsprechers beeinträchtigen.

Verwendung eines Sicherungsseils

Einige Bauvorschriften schreiben als Sicherheitsvorkehrung vor, den Lautsprecher an einer tragenden Konstruktion zusätzlich abzusichern. Wählen Sie eine Montageposition und -methode sowie Werkzeuge, die den örtlichen Bauvorschriften entsprechen.

Bose empfiehlt die Verwendung eines Sicherheitsdrahts oder eines Sicherungsseils als sekundären Sicherungsmechanismus für das Series II Acoustimass Bassmodul und die Flush-Mount Satellites. Befolgen Sie bei der Montage zusätzlicher Sicherheitsmechanismen die Anweisungen des Herstellers.

Jedes Lautsprechermodell verfügt über einen oder mehrere mögliche Befestigungspunkte:

- Series II Acoustimass Bassmodul** Entfernen Sie eine M6-Schraube von der hinteren Abdeckplatte und befestigen Sie ein Sicherungsseil an diesem Schraubenloch.
- Flush-Mount Satellites** Befestigen Sie ein Sicherungsseil an der Öffnung in der Metalllasche auf der hinteren Abdeckplatte.

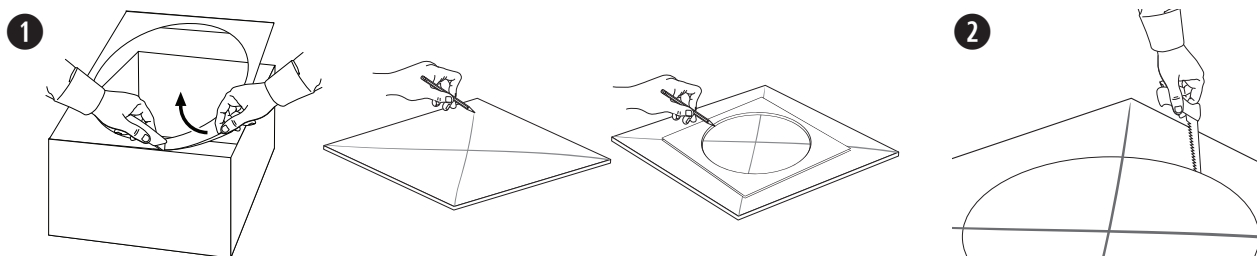
Vorbereitung der Decke und Zubehörteile

Befolgen Sie vor der Montage eines Bassmoduls oder eines Satelliten-Lautsprechers die Anweisungen zur Vorbereitung der Decke und der Zubehörteile, die Sie bei der Montage verwenden werden. Eine Auflistung der erforderlichen oder optionalen Zubehörteile für jedes Lautsprechermodell finden Sie in den **Installationsoptionen** (Seite 32).

Vorbereitung einer akustischen Deckenplatte

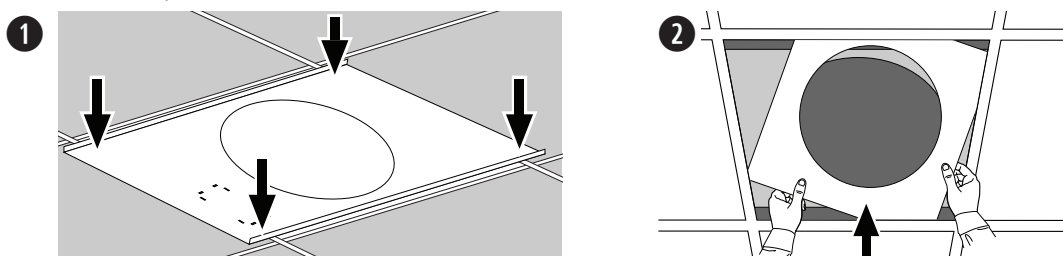
Zuschneiden der Deckenplatte

1. Entfernen Sie die Deckenplatte und zeichnen Sie unter Verwendung der Schablone den Ausschnitt für den Lautsprecher auf die Platte. Um die Schablone mittig aufzulegen, verbinden Sie zunächst die Eckpunkte der Platte zu einem „X“ und richten Sie anschließend die Schablone anhand des Schnittpunkts aus.
2. Schneiden Sie den Ausschnitt in die Platte.



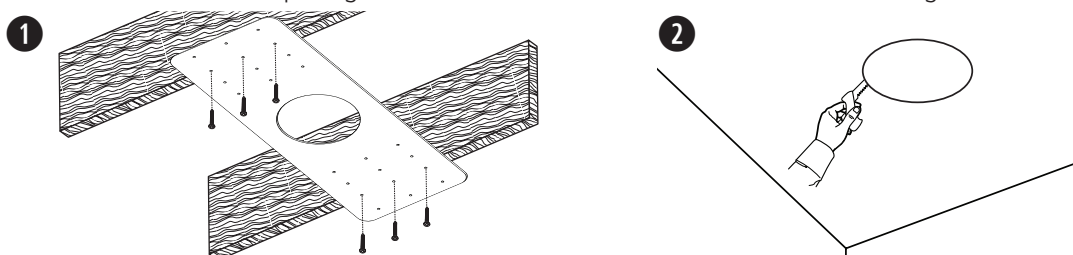
Installieren der Tile Bridge

1. Setzen Sie die Tile Bridge in die Unterdeckenkonstruktion ein. Passen Sie gegebenenfalls die Länge der Tile Bridge-Ausleger an, um ein Aufliegen zu gewährleisten.
2. Setzen Sie die Deckenplatte wieder ein.



Vorbereitung von durchgängig festen Decken mithilfe einer Rough-in-Pan-Montageplatte (Neubauten)

1. Bringen Sie die Rough-in Pan-Montageplatte an der Dachunterkonstruktion oder den Holzlatten an. Die Rough-in Pan-Montageplatte verfügt über mehrere vorgebohrte Löcher, sodass sie an verschiedene Abstände, Lautsprecherausrichtungen und Lautsprecherpositionierungen angepasst werden kann.
2. Sägen Sie anschließend eine Aussparung in die Decke und orientieren Sie sich dabei an der Rough-in-Pan-Vorlage.



Befestigung des Lautsprechers

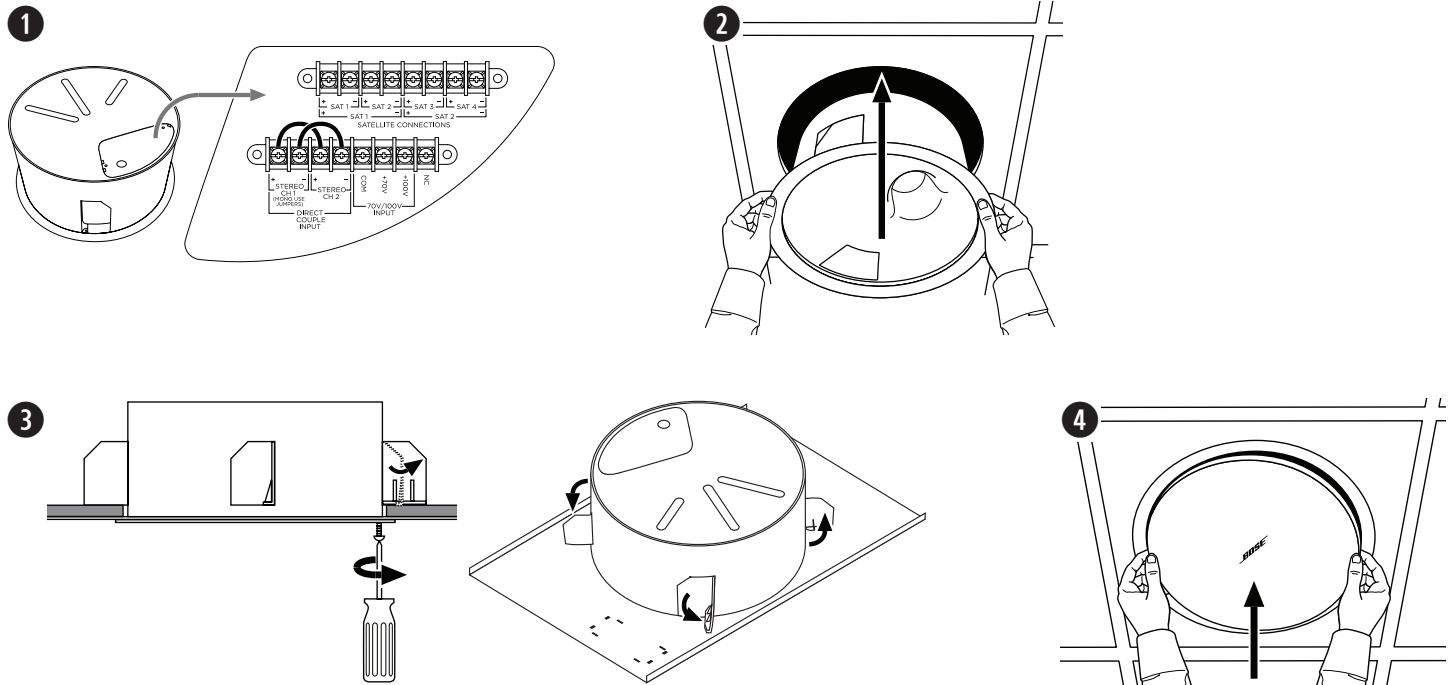
Series II Acoustimass Bassmodul

1. Vergewissern Sie sich, dass alle Lautsprecherkabel ordnungsgemäß angeschlossen sind. Weitere Informationen zur Verkabelung finden Sie unter **Verkabeln der Lautsprecher** (Seite 33).
2. Führen Sie den Lautsprecher in die Tile Bridge oder in die Rough-in-Pan-Montageplatte ein. Halten Sie den Lautsprecher weiterhin an seinem Platz.
3. Ziehen Sie die Halterungsschrauben fest, um den Lautsprecher zu fixieren. Wenn Sie einen Akkuschauber verwenden, stellen Sie eine niedrige Drehmomentstufe ein. Vergewissern Sie sich, dass alle Halterungsschrauben angezogen sind, bevor Sie den Lautsprecher loslassen.



WICHTIGER HINWEIS: Ein Überdrehen der Schrauben kann die Stabilität des Verankerungspunkts oder der Decke beeinträchtigen und möglicherweise zum Herunterfallen führen.

4. Platzieren Sie das Abdeckgitter mit beiden Händen auf dem Lautsprecher. Drücken Sie die Abdeckung vorsichtig gegen den Lautsprecher, um sie zu befestigen. Sie können das Logo drehen, sobald die Abdeckung befestigt ist.



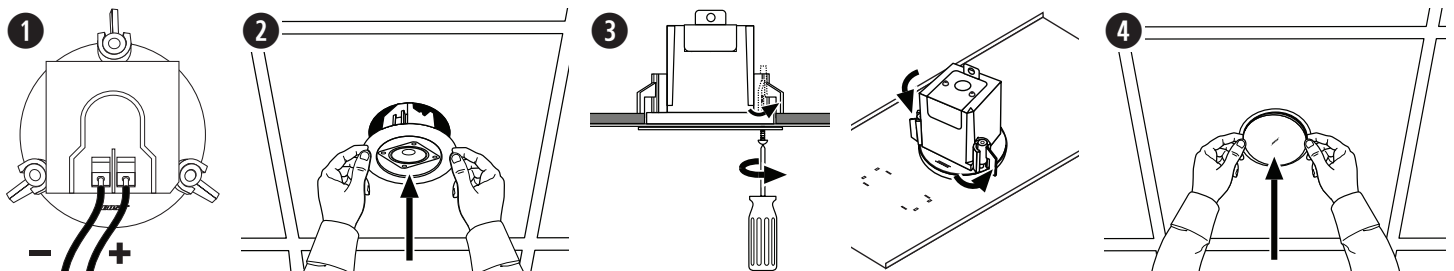
Flush-Mount Satellites

1. Vergewissern Sie sich, dass alle Lautsprecherkabel ordnungsgemäß angeschlossen sind. Weitere Informationen zur Verkabelung finden Sie unter **Verkabeln der Lautsprecher** (Seite 33).
2. Führen Sie den Lautsprecher in die Tile Bridge oder in die Rough-in-Pan-Montageplatte ein. Halten Sie den Lautsprecher weiterhin an seinem Platz.
3. Ziehen Sie die Halterungsschrauben fest, um den Lautsprecher zu fixieren. Wenn Sie einen Akkuschauber verwenden, stellen Sie eine niedrige Drehmomentstufe ein. Vergewissern Sie sich, dass alle Halterungsschrauben angezogen sind, bevor Sie den Lautsprecher loslassen.



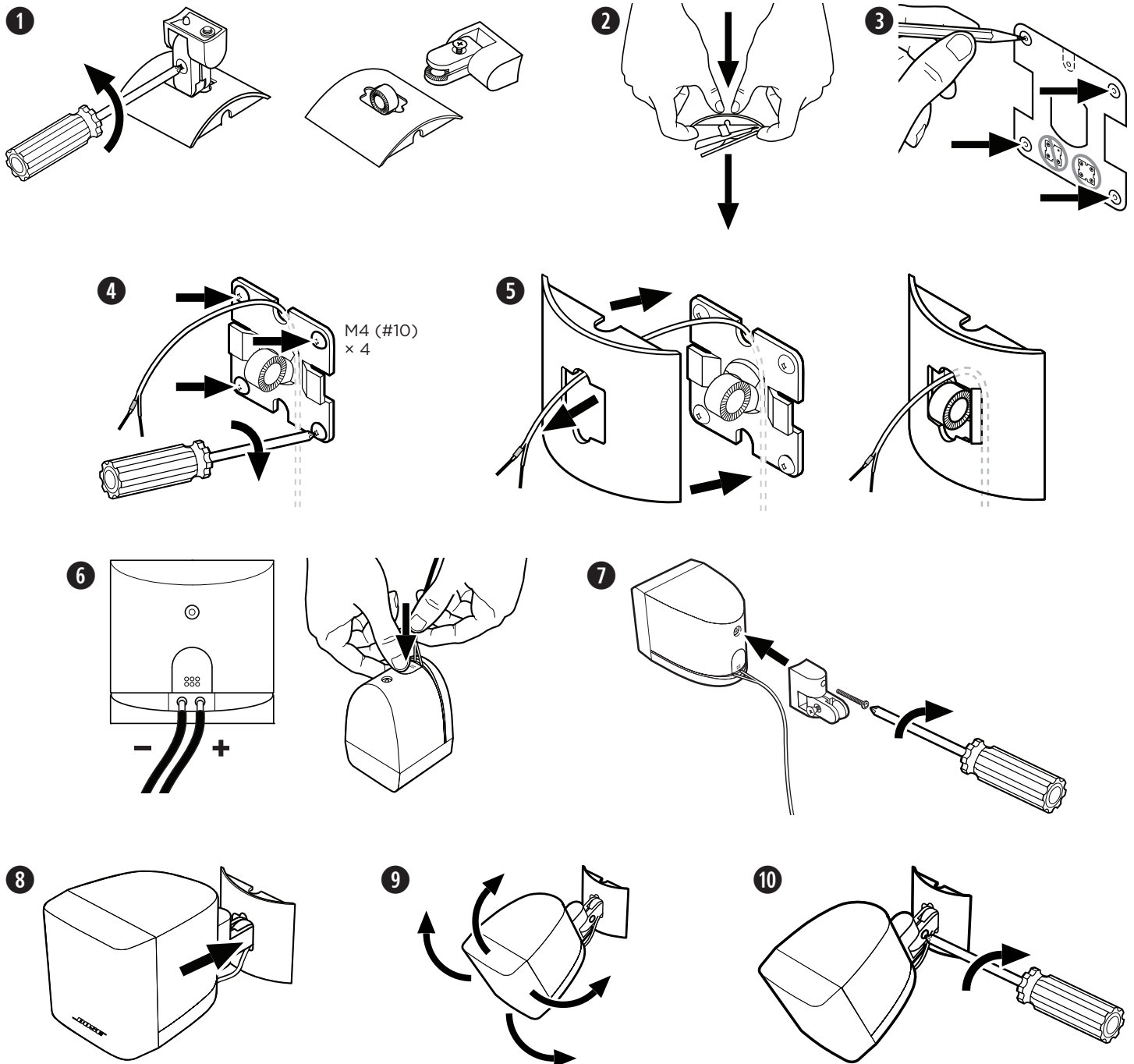
WICHTIGER HINWEIS: Ein Überdrehen der Schrauben kann die Stabilität des Verankerungspunkts oder der Decke beeinträchtigen und möglicherweise zum Herunterfallen führen.

4. Platzieren Sie das Abdeckgitter mit beiden Händen auf dem Lautsprecher. Drücken Sie die Abdeckung vorsichtig gegen den Lautsprecher, um sie zu befestigen.



Surface-Mount Satellites

1. Lösen Sie die Schraube, die die Lautsprecherhalterung mit der Wandhalterung verbindet, und trennen Sie die beiden Teile.
2. Lösen Sie die Rückwand von der Abdeckung der Wandhalterung.
3. Markieren Sie mit der Schablone die Mitte aller vier Schraubenlöcher an der Wand.
4. Setzen Sie vier Schrauben M4 (#10) ein, um die Wandhalterung an der Wand zu befestigen. Vergewissern Sie sich, dass der Punkt, an dem das Lautsprecherkabel aus der Wand austritt, an einer Aussparung der Platte ausgerichtet ist.
5. Befestigen Sie die Abdeckung der Wandhalterung wieder an der Platte und führen Sie das Lautsprecherkabel durch das mittlere Loch der Abdeckung der Wandhalterung.
6. Schließen Sie das Kabel an den Lautsprecher an. Weitere Informationen zur Verkabelung finden Sie unter **Verkabeln der Lautsprecher** (Seite 33).
7. Befestigen Sie die Lautsprecherhalterung mit der mitgelieferten Schraube am Gewindeeinsatz auf der Rückseite des Lautsprechers.
8. Platzieren Sie die Lautsprecherhalterung auf der Wandhalterung, indem Sie die beiden Teile des Drehgelenks (das Sie in Schritt 1 getrennt haben) ausrichten.
9. Stellen Sie den vertikalen und horizontalen Winkel des Lautsprechers wie gewünscht ein.
10. Setzen Sie die Schraube (die Sie in Schritt 1 entfernt haben) in das Drehgelenk ein. Ziehen Sie die Schraube an, um den Lautsprecher im gewünschten Winkel an der Wandhalterung zu befestigen.




Leggere e conservare tutte le istruzioni per la sicurezza e per l'uso.

Questo prodotto deve essere installato esclusivamente da installatori professionisti. Il presente documento ha lo scopo di fornire agli installatori professionisti le istruzioni di base per l'installazione e la sicurezza di questo prodotto in tipici sistemi da installazione fissa. Prima dell'installazione, leggere questo documento e le avvertenze sulla sicurezza.

Non tentare di riparare il prodotto autonomamente. Per tutti gli interventi di assistenza, rivolgiti ai centri assistenza, agli installatori, ai tecnici, ai rivenditori o ai distributori autorizzati. Per contattare Bose Professional o per trovare il rivenditore o distributore più vicino, visita **PRO.BOSE.COM**.

1. Leggere queste istruzioni.
2. Conservare queste istruzioni.
3. Prestare attenzione a tutte le avvertenze.
4. Seguire tutte le istruzioni.
5. Non utilizzare l'apparecchio in prossimità di acqua.
6. Per la pulizia utilizzare un semplice panno asciutto.
7. Non ostruire le aperture di ventilazione. Installare il prodotto in conformità con le istruzioni fornite dal produttore.
8. Non installare in prossimità di fonti di calore, quali termosifoni, radiatori, stufe o altri apparecchi (compresi gli amplificatori) che generino calore.
9. Utilizzare solo sistemi di fissaggio/accessori specificati dal produttore.



AVVISI/AVVERTENZE

Questo prodotto contiene materiale magnetico. Rivolgerti al proprio medico per eventuali domande sui possibili effetti del prodotto sui dispositivi medici impiantati nel corpo umano.

- Tutti i prodotti Bose devono essere installati in conformità con gli standard locali, statali, federali e di settore. È responsabilità dell'installatore assicurare che l'installazione dei diffusori e del sistema di montaggio venga eseguita in conformità con le normative vigenti, compresi i regolamenti edilizi locali. Prima di installare il prodotto, chiedere informazioni all'autorità locale preposta.
- L'installazione o la sospensione non sicura di carichi pesanti può causare gravi lesioni alle persone e danni materiali. È responsabilità dell'installatore valutare l'affidabilità del metodo di installazione utilizzato per l'applicazione specifica. Solo installatori professionisti esperti di tecniche di installazione sicura dell'hardware possono installare un diffusore in posizione sospesa.
- Non posizionare il prodotto in punti dove possa essere esposto ad acqua o condensa.
- Il prodotto non deve essere installato né utilizzato in aree di servizio o intrattenimento vicine all'acqua (ad es. piscine coperte, parchi acquatici al chiuso, sale con vasche riscaldate, saune, bagni turchi e piste di pattinaggio al chiuso).
- Non eseguire l'installazione su superfici non sufficientemente robuste o dietro le quali si nascondono elementi potenzialmente pericolosi, quali cavi elettrici o tubazioni idrauliche. In caso di dubbi durante l'installazione della staffa, contattare un installatore professionista.
- Utilizzare solo l'hardware e gli accessori forniti o specificati da Bose. I componenti per il fissaggio della staffa alla superficie di montaggio non sono in dotazione. Per informazioni sugli accessori compatibili, consultare la scheda tecnica del prodotto all'indirizzo **PRO.BOSE.COM**.
- Non posizionare o installare il prodotto in prossimità di fonti di calore, quali caminetti, radiatori o altri apparati (inclusi amplificatori) che emettano calore.
- Tenere il prodotto lontano dal fuoco e da fonti di calore. Non collocare sorgenti di fiamme libere (ad esempio, candele accese) sull'apparecchio o in prossimità di esso.
- Non apportare alterazioni non autorizzate al prodotto.
- Evitare di esporre il diffusore o i suoi componenti di montaggio a sostanze chimiche non specificate da Bose, inclusi a titolo esemplificativo lubrificanti e detergenti, spray per contatti e altri solventi a base di idrocarburi. L'esposizione a tali sostanze può danneggiare i materiali plastici e causare spaccature, con conseguenti rischi di caduta.
- Utilizzare esclusivamente un panno asciutto per pulire i diffusori. Non esporre il diffusore a saponi, detergenti, oli minerali o alcol, né ad altri detergenti o prodotti chimici.

Specifiche di prodotto

	Tensione d'ingresso	Impedenza	Corrente/potenza
Modulo bassi Acoustimass serie II	70 V/100 V	6 Ω diretto mono, bypass trasformatore	25 W, 50 W, 100 W, 200 W
Satelliti per installazione ad incasso	Non applicabile	6 Ω	Non applicabile
Satelliti per installazione a parete	Non applicabile	6 Ω per canale (sistema a 4 satelliti); 5 Ω per canale (sistema a 2 satelliti)	Non applicabile

Informazioni sulle normative

CE Questo prodotto è conforme a tutti i requisiti pertinenti delle direttive UE. La dichiarazione di conformità completa è disponibile all'indirizzo: **www.bose.com/compliance**.

UK CA Il presente prodotto è conforme a tutte le normative sulla compatibilità elettromagnetica del 2016 e a tutte le altre normative del Regno Unito applicabili. La dichiarazione di conformità completa è disponibile all'indirizzo: **www.bose.com/compliance**


 Questo simbolo indica che il prodotto non deve essere smaltito con i rifiuti domestici, ma deve essere consegnato a una struttura di raccolta appropriata per il riciclaggio. Uno smaltimento e un riciclaggio corretti aiutano a preservare le risorse naturali, la salute e l'ambiente. Per ulteriori informazioni sullo smaltimento e sul riciclaggio di questo prodotto, rivolgersi alle autorità locali, al servizio di smaltimento dei rifiuti o al negozio presso il quale è stato acquistato.

Tabella delle limitazioni delle sostanze pericolose (Cina)

Nome e contenuto delle sostanze o degli elementi tossici o pericolosi						
Nome parte	Sostanze ed elementi tossici o pericolosi					
	Piombo (Pb)	Mercurio (Hg)	Cadmio (Cd)	Cromo esavalente (Cr(VI))	Bifenile polibromurato (PBB)	Difenilietere polibromurato (PBDE)
Circuiti stampati	X	0	0	0	0	0
Parti di metallo	X	0	0	0	0	0
Parti di plastica	0	0	0	0	0	0
Diffusori	X	0	0	0	0	0
Cavi	X	0	0	0	0	0

Questa tabella è stata messa a punto in accordo a quanto previsto dallo standard SJ/T 11364.

O: indica che questa sostanza tossica o pericolosa contenuta in tutti i materiali omogenei della parte è inferiore al limite previsto dallo standard GB/T 26572.

X: indica che la quantità della sostanza tossica o pericolosa contenuta in almeno uno dei materiali omogenei della parte è superiore al limite previsto dallo standard GB/T 26572.




Tabella delle limitazioni delle sostanze pericolose (Taiwan)

Nome dispositivo:		Designazione del tipo:				
Modulo bassi Acoustimass FreeSpace 3 serie II		040147, 040148				
Diffusori satellitari FreeSpace 3 per installazione ad incasso		040150, 040149				
Diffusori satellitari per installazione a parete FreeSpace 3		040144, 040143				
Sostanze soggette a restrizioni e relativi simboli chimici						
Unità	Piombo (Pb)	Mercurio (Hg)	Cadmio (Cd)	Cromo esavalente (Cr+6)	Bifenili polibromurati (PBB)	Difenilietere polibromurati (PBDE)
Circuiti stampati	-	o	o	o	o	o
Parti di metallo	-	o	o	o	o	o
Parti di plastica	o	o	o	o	o	o
Diffusori	-	o	o	o	o	o
Cavi	-	o	o	o	o	o

Nota 1: "o" indica che il contenuto percentuale delle sostanze soggette a limitazioni non supera il valore di presenza della percentuale di riferimento.

Nota 2: il trattino "-" indica che la sostanza soggetta a limitazioni corrisponde all'esenzione.

Data di produzione: l'ottava cifra del numero di serie corrisponde all'anno di produzione; ad esempio "7" indica 2007 o 2017.

Importatore per la Cina: Bose Electronics (Shanghai) Company Limited, Level 6, Tower D, No. 2337 Gudai Rd. Minhang District, Shanghai 201100

Importatore per il Regno Unito: Bose Limited, Bose House, Quayside Chatham Maritime, Chatham, Kent, ME4 4QZ, Regno Unito

Importatore per l'UE: Bose Products B.V., Gorslaan 60, 1441 RG Purmerend, Paesi Bassi

Importatore per il Messico: Bose de México, S. de R.L. de C.V., Paseo de las Palmas 405-204, Lomas de Chapultepec, 11000 Messico Per informazioni su importatori e servizi: +5255 (5202) 3545

Importatore per Taiwan: Bose Taiwan Branch, 9F-A1, No. 10, Section 3, Minsheng East Road, Taipei City 104, Taiwan. N. telefono: +886-2-2514 7676

Sede principale di Bose Corporation: 1-877-230-5639

Bose, Acoustimass, DesignMax, FreeSpace e Panaray sono marchi di Bose Corporation.

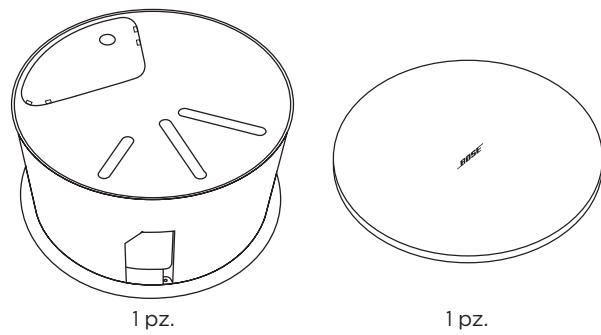
©2022 Bose Corporation. Nessuna parte di questo documento può essere riprodotta, modificata, distribuita o usata in altro modo senza previa autorizzazione scritta.

Informazioni sulla garanzia

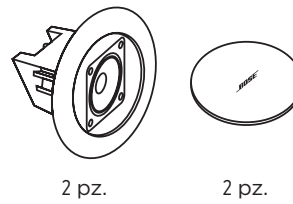
Questo prodotto è coperto da una garanzia limitata. Per i dettagli sulla garanzia, visitare **PRO.BOSE.COM**.

Contenuto della confezione

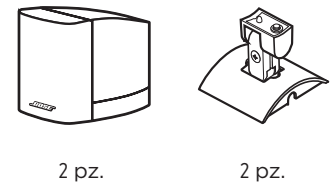
Modulo bassi Acoustimass serie II



Satelliti per installazione ad incasso

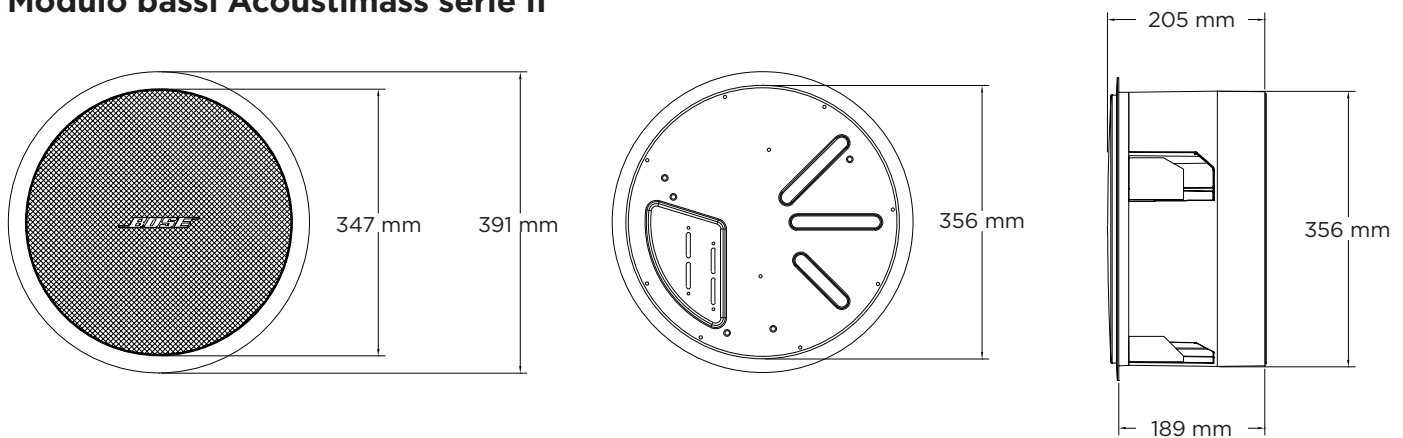


Satelliti per installazione a parete

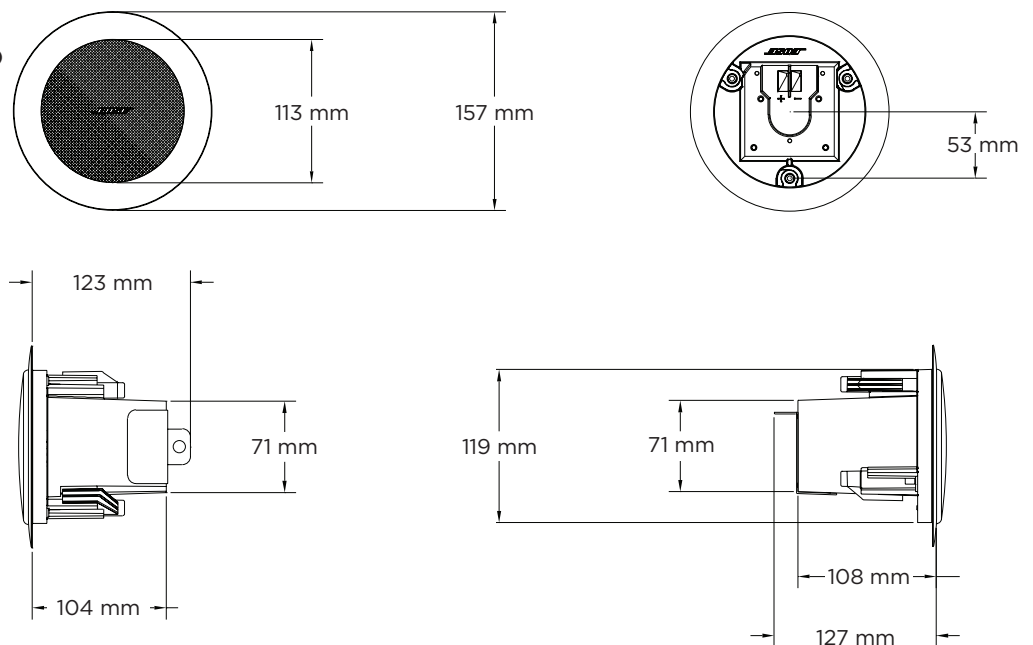


Dimensioni del prodotto

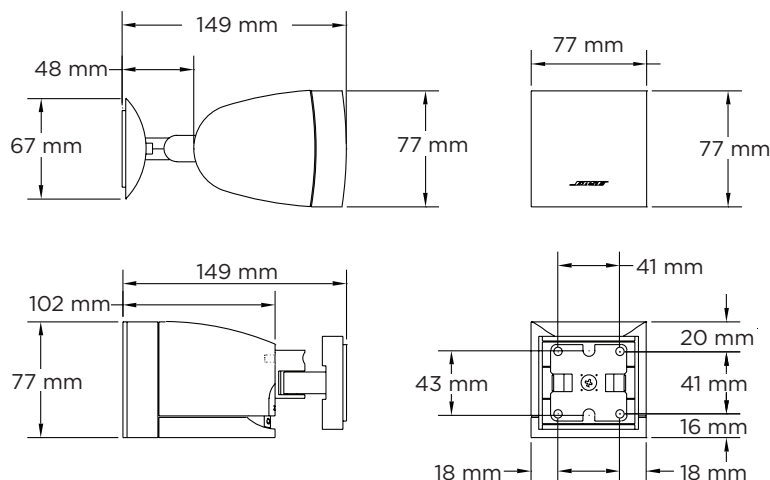
Modulo bassi Acoustimass serie II



Satelliti per installazione ad incasso



Satelliti per installazione a parete



Specifiche tecniche

Per ulteriori specifiche, istruzioni ed informazioni tecniche sui diffusori FreeSpace, visitare bosepro.link/freespace.

	Modulo bassi Acoustimass serie II	Satelliti per installazione ad incasso	Satelliti per installazione a parete
Dimensioni del prodotto			
Altezza × Larghezza	391 mm (diametro flangia esterna)	157 mm (diametro flangia esterna)	77 × 77 mm
Profondità	190 mm	123 mm	Senza staffa: 102 mm Con staffa: 149 mm
Dimensioni del soffitto			
Diametro del foro	362 mm	127 mm	Non applicabile
Spessore massimo	48 mm	38 mm	Non applicabile
Peso			
Netto	6,4 kg	0,9 kg	0,8 kg
Spedizione	9,1 kg	2,3 kg	1,8 kg

Conformità alle norme di sicurezza

Il modulo Acoustimass Bose FreeSpace 3 serie II ed i satelliti per installazione ad incasso sono dotati di certificazione UL per la sicurezza nei seguenti casi:

Diffusori per impieghi generici conformi ad UL1480, UL categoria UEAY, Numero file S 5591

Adatti per l'uso in ambienti interni caratterizzati da umidità.

Adatti per l'installazione mediante metodi di cablaggio Classe 1, Classe 2 o Classe 3 in conformità a NFPA 70, National Electric Code, 2002, Articolo 640

Adatti per l'uso in controsoffitti sigillati quando utilizzati con gli accessori per controsoffitti opzionali PC-FS3B e PC-FS3F:

UL-2043, Test antincendio e rilascio di fumo visibile per prodotti discreti e relativi accessori installati in controsoffitti sigillati

NFPA -70, National Electrical Code, 2002, Articolo 300.22(C)

NFPA 90-A, 2002, Installazione di sistemi di condizionamento dell'aria e ventilazione, Paragrafo 4.3.10.2.6.5

I satelliti per installazione a parete Bose FreeSpace 3 descritti in questa guida non sono dotati di certificazione UL.



Informazioni importanti sull'installazione



È responsabilità dell'installatore assicurare che l'installazione dei diffusori e del sistema di montaggio venga eseguita in conformità con le normative vigenti, compresi i regolamenti edilizi locali. Prima di installare il prodotto, chiedere informazioni all'autorità locale preposta.

È responsabilità dell'installatore garantire un'installazione sicura del diffusore. Un'installazione non corretta del diffusore può causare danni materiali e gravi lesioni alle persone.

Non posizionare il prodotto in punti dove possa essere esposto ad acqua o condensa.

Il prodotto non deve essere installato né utilizzato in aree di servizio o intrattenimento vicine all'acqua (ad es. piscine coperte, parchi acquatici al chiuso, sale con vasche riscaldate, saune, bagni turchi e piste di pattinaggio al chiuso).

Non ostruire le aperture di ventilazione. Installare il prodotto in conformità con le istruzioni fornite dal produttore.

Non installare in prossimità di fonti di calore, quali termosifoni, radiatori, stufe o altri apparecchi (compresi gli amplificatori) che generino calore. Tenere il prodotto lontano dal fuoco e da fonti di calore. Non collocare sorgenti di fiamme libere (ad esempio, candele accese) sull'apparecchio o in prossimità di esso.

Non eseguire l'installazione su superfici non sufficientemente robuste o dietro le quali si nascondono elementi potenzialmente pericolosi, quali cavi elettrici o tubazioni idrauliche. In caso di dubbi durante l'installazione della staffa, contattare un installatore professionista. Verificare che la staffa sia installata in accordo ai parametri costruttivi locali.

I componenti per il fissaggio del diffusore alla superficie di montaggio non sono in dotazione. Rivolgersi a un muratore professionista per individuare i componenti di fissaggio corretti, prima di installare il diffusore.

Evitare di esporre il diffusore o i suoi componenti di montaggio a sostanze chimiche non specificate da Bose, inclusi a titolo esemplificativo lubrificanti e detergenti, spray per contatti e altri solventi a base di idrocarburi. L'esposizione a tali sostanze può danneggiare i materiali plastici e causare spaccature, con conseguenti rischi di caduta.

Opzioni di installazione

Modulo bassi Acoustimass serie II

Obbligatorio

- ❶ Diffusore bassi FreeSpace 3BF con rough-in pan oppure
- ❷ Tile bridge per diffusore bassi FreeSpace 3BF

Opzionale

- ❸ Kit per montaggio a sospensione per diffusore bassi FreeSpace 3BF
- ❹ Kit per installazione a parete per diffusore bassi FreeSpace 3BF
- ❺ Alloggiamento per montaggio in controsoffitti per diffusore bassi FreeSpace 3BF
- ❻ Kit per montaggio a sospensione Omni FreeSpace

Satelliti per installazione ad incasso

Obbligatorio

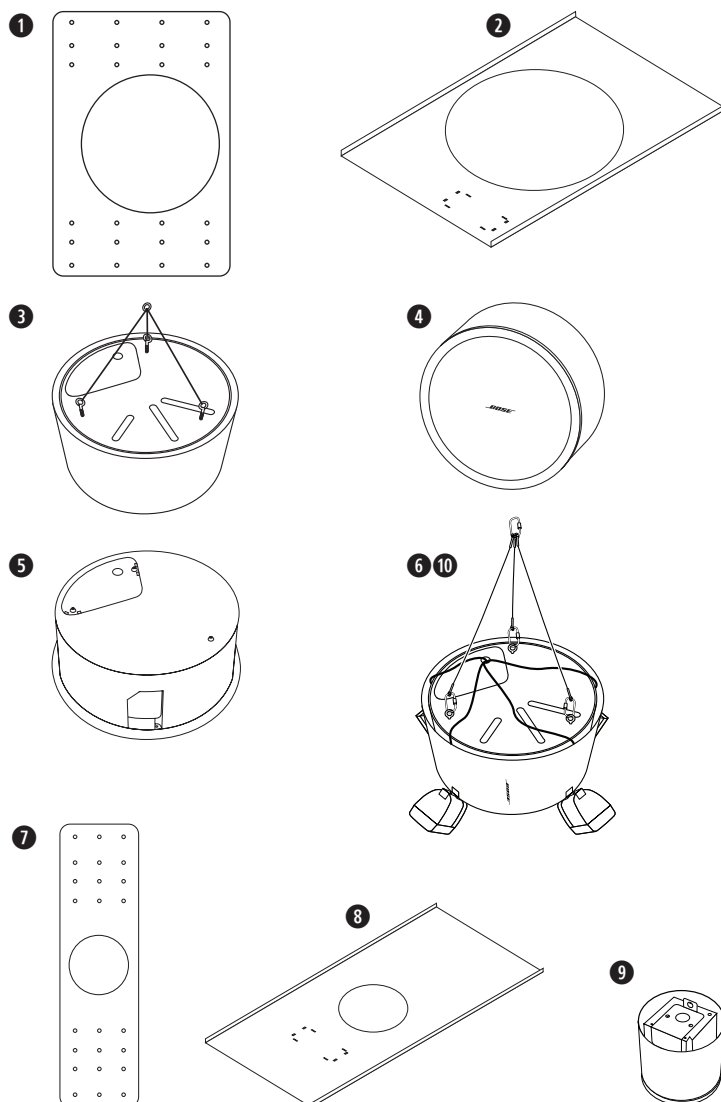
- ❽ Rough-in pan per diffusore satellite FreeSpace 3BF oppure
- ❹ Tile bridge per diffusore satellite FreeSpace 3BF

Opzionale

- ❾ Cover per diffusore satellite FreeSpace 3F

Satelliti per installazione a parete

- ❿ Kit di montaggio a sospensione Omni FreeSpace



Cablaggio dei diffusori

Diametro dei cablaggi

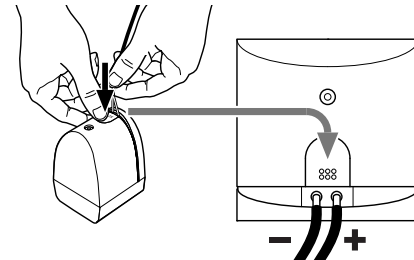
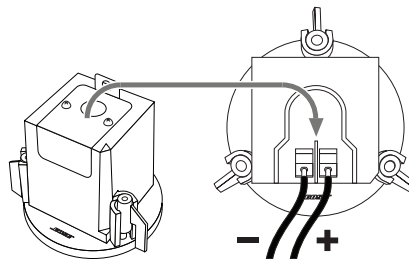
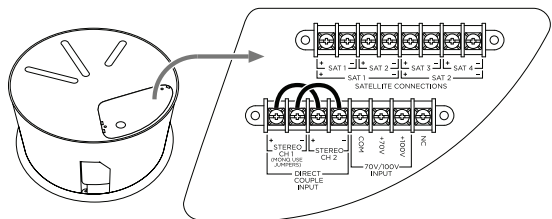
I diffusori FreeSpace 3 sono concepiti esclusivamente per l'impiego con cavi di dimensioni comprese tra 18 AWG (0,8 mm²) e 14 AWG (2,1 mm²).

Cablaggio dei terminali

Modulo bassi Acoustimass serie II: rimuovere la piastra di copertura posteriore per accedere ai terminali per il cablaggio. Rimontare la piastra di copertura posteriore dopo avere completato tutti i cablaggi.

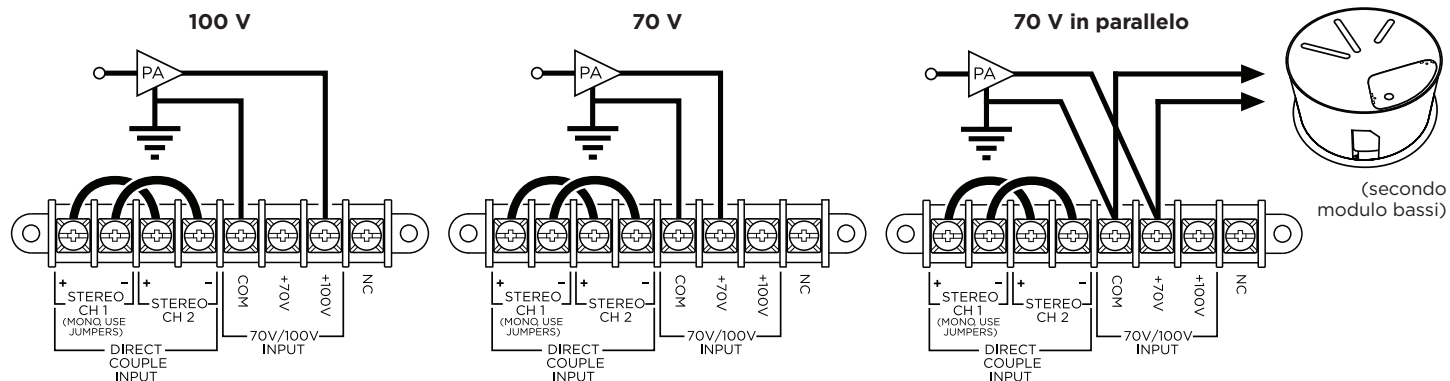
Satelliti per installazione ad incasso: rimuovere la piastra di copertura posteriore per accedere ai terminali per il cablaggio. Rimontare la piastra di copertura posteriore dopo avere completato tutti i cablaggi.

Satelliti per installazione a parete: tenere premuto il pulsante sul pannello posteriore mentre si inserisce il filo per inserirlo completamente.



Collegamento delle uscite dell'amplificatore

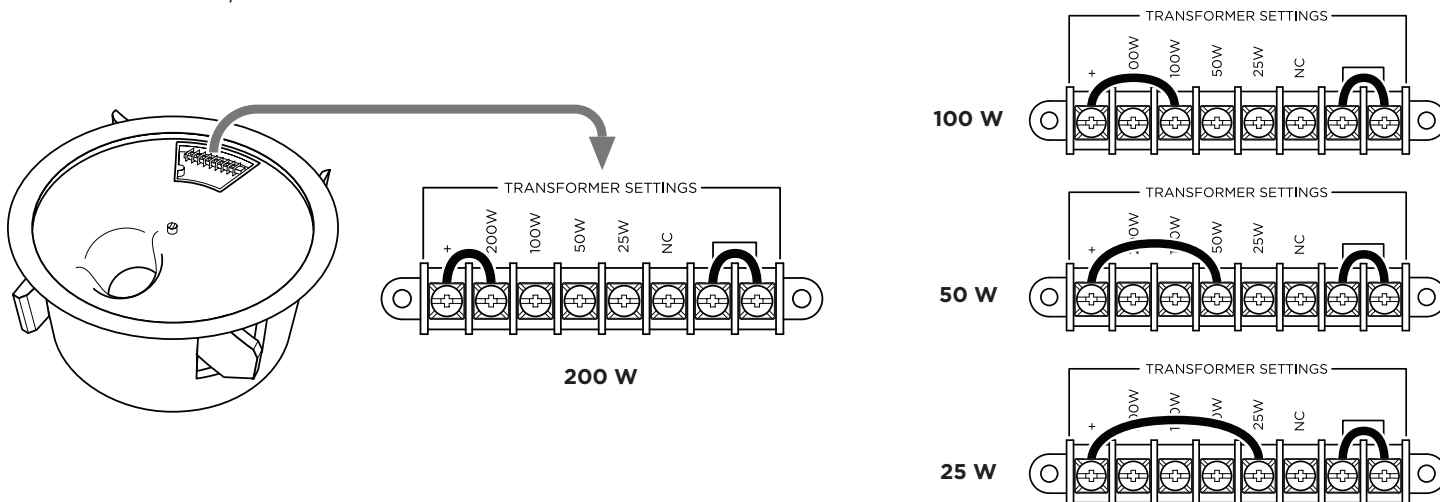
ATTENZIONE: completare tutti i cablaggi prima di collegare l'amplificatore all'alimentazione o accenderlo.



Impostazioni potenza del trasformatore

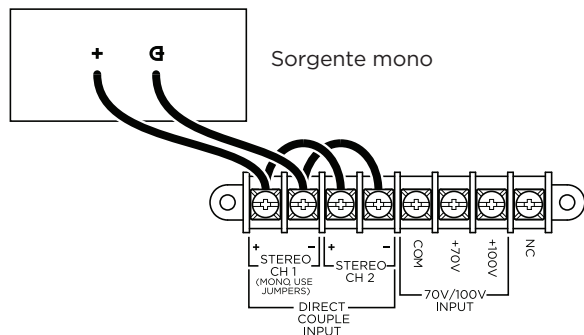
Il trasformatore è impostato in fabbrica per l'uso a **200 W**. Per impostare una potenza inferiore, rimuovere l'estremità **+** del ponticello collegata al terminale da **200 W** e ricollegarla in corrispondenza del valore desiderato: **100 W**, **50 W** o **25 W**.

Nota: i ponticelli sono necessari per il funzionamento a 70 V/100 V. Per il funzionamento a 6 Ω (bypass trasformatore/diretto), rimuovere entrambi i ponticelli.



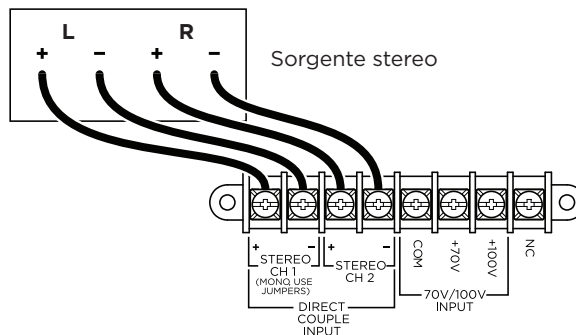
Bypass trasformatore (mono diretto)

Per bypassare il trasformatore e preparare il diffusore per l'uso a **4 Ω** e l'ingresso audio mono, rimuovere i due ponticelli dalle impostazioni del trasformatore sulla parte anteriore dei diffusori. Non modificare i ponticelli di ingresso **CH1** e **CH2** sul retro del diffusore.



Bypass trasformatore (stereo diretto)

Per bypassare il trasformatore e preparare il diffusore per l'uso a **6 Ω** ed ingresso audio stereo, rimuovere tutti i ponticelli.



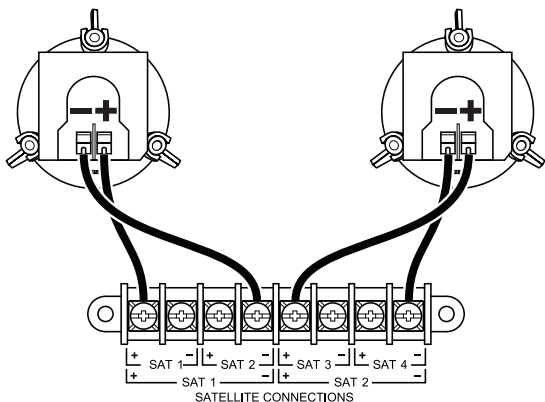
Collegamento diffusore satellite

ATTENZIONE: non collegare direttamente al Modulo bassi diffusori diversi dai satelliti FreeSpace 3.

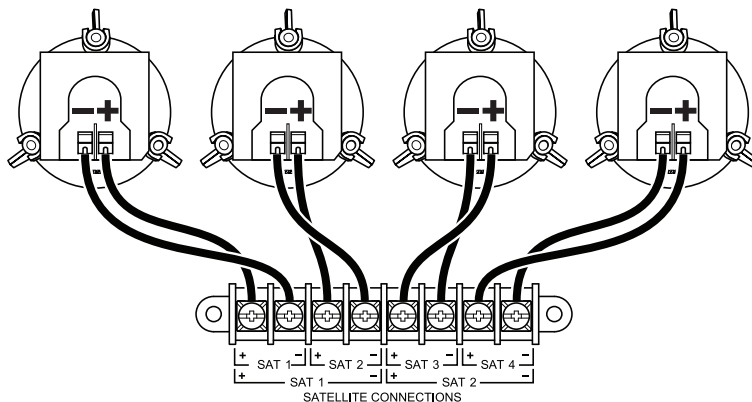
Collegare il modulo bassi Acoustimass FreeSpace 3 serie II ai satelliti per installazione ad incasso o a parete FreeSpace 3. (In questa pagina, il modulo Acoustimass serie II è collegato ai satelliti per installazione ad incasso. È possibile sostituire i satelliti per installazione a parete con quelli ad incasso se collegati con la corretta polarità.)

È possibile utilizzare il modulo Acoustimass FreeSpace 3 serie II con altri diffusori Bose, inclusi, a titolo esemplificativo ma non esaustivo, i modelli FreeSpace, DesignMax o Panaray. In questo caso, collegare i diffusori ed il modulo direttamente all'amplificatore utilizzando canali separati. Assicurarsi di applicare il filtro passa-banda appropriato e/o l'equalizzazione consigliata (se disponibile) a tutti gli altri diffusori. Visitare il sito **PRO.BOSE.COM** e fare riferimento alla scheda tecnica per ciascun modello.

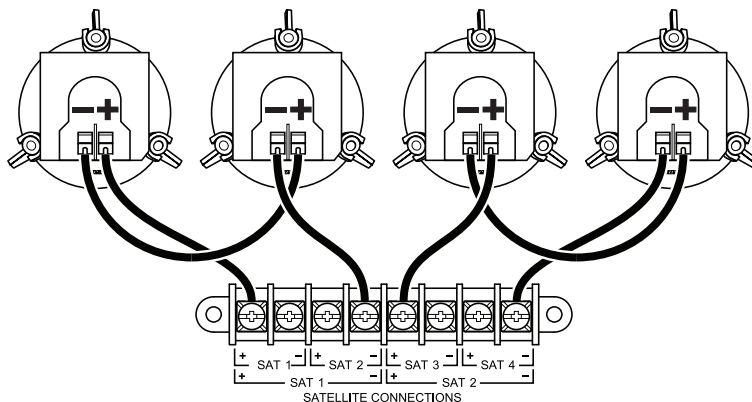
2 satelliti



4 satelliti



4 satelliti (metodo in serie alternativo)



Preparazione dell'installazione

Posizionamento del diffusore

Nota: l'installazione in prossimità di piani di cottura dove il diffusore possa essere direttamente esposto ad oli alimentari, fumi, vapore o calore elevato, come ad esempio in cucine commerciali, può ridurre le prestazioni o l'affidabilità del diffusore.

Uso di un cavo di sicurezza

Alcune normative edilizie regionali richiedono l'impiego di un secondo metodo di fissaggio dei diffusori alle strutture di supporto, allo scopo di garantire una maggior sicurezza. Scegliere posizione, metodo e accessori di fissaggio conformi alle normative edilizie locali.

Bose consiglia di utilizzare un filo o un cavo di sicurezza come meccanismo di fissaggio secondario per il modulo bassi Acoustimass serie II ed i satelliti per installazione ad incasso. Attenersi alle istruzioni del produttore per qualsiasi meccanismo di fissaggio secondario utilizzato.

Ogni modello di diffusore presenta uno o più punti di attacco possibili:

Modulo bassi Acoustimass serie II Rimuovere una vite M6 dalla piastra di copertura posteriore e fissare un cavo di sicurezza al foro della vite.

Satelliti per installazione ad incasso Collegare un cavo di sicurezza all'apertura nella linguetta metallica sulla piastra di copertura posteriore.

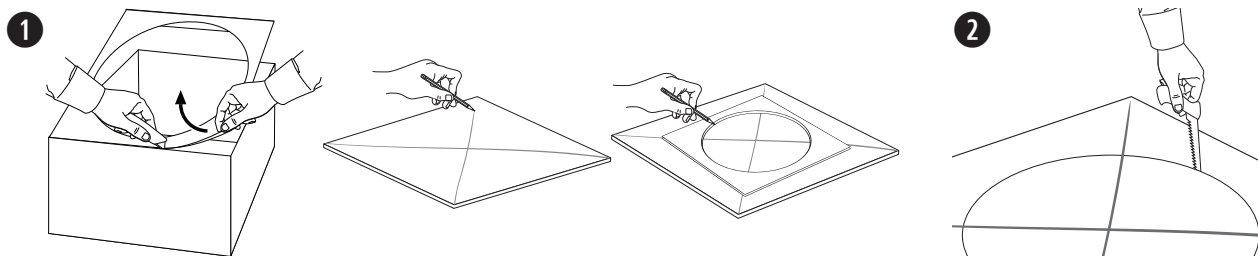
Preparazione del soffitto e degli accessori

Prima di installare un modulo bassi o i diffusori satellitari, seguire le istruzioni per preparare il soffitto e gli eventuali accessori che verranno utilizzati durante l'installazione. Vedere **Opzioni di installazione** (pagina 41) per l'elenco degli accessori necessari o opzionali per ciascun modello di diffusore.

Preparazione del pannello a soffitto

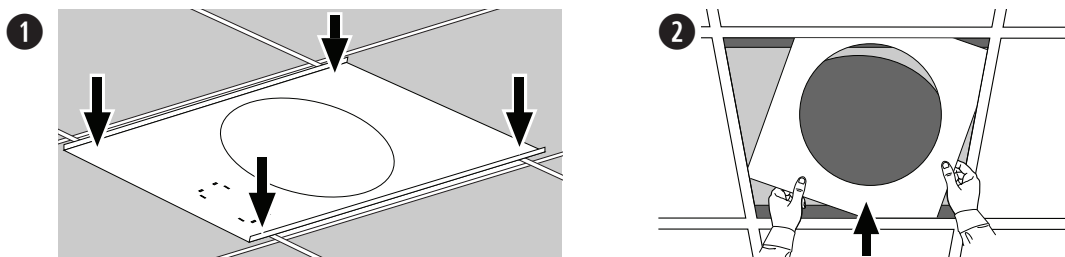
Taglio del pannello a soffitto

1. Rimuovere il pannello ed utilizzare la dima per tracciare il foro per il diffusore sul pannello stesso. Per centrare la dima rispetto al pannello, tracciare una **X** collegando gli angoli in diagonale e centrare il modello sul punto di intersezione.
2. Effettuare un foro nel pannello.



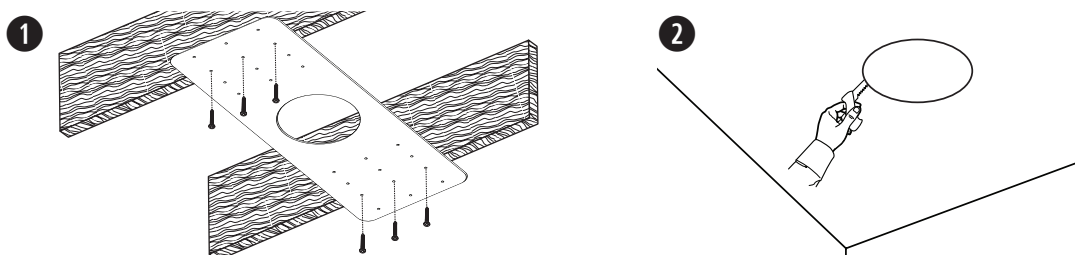
Installazione del tile bridge

1. Posizionare il tile bridge lungo la griglia del soffitto. Se necessario, regolare le barre del tile bridge in modo che poggino sui montanti della griglia sul soffitto.
2. Rimontare il pannello sul soffitto.



Preparazione del controsoffitto fisso con rough-in pan (nuova costruzione)

1. Agganciare il rough-in pan al rivestimento o ai montanti in legno del soffitto. Il rough-in pan include diversi fori preforati per adattarsi a varie opzioni di distanza tra i montanti ed orientamento e posizionamento dei diffusori.
2. Praticare un foro nel soffitto usando il rough-in pan come guida.



Installazione del diffusore

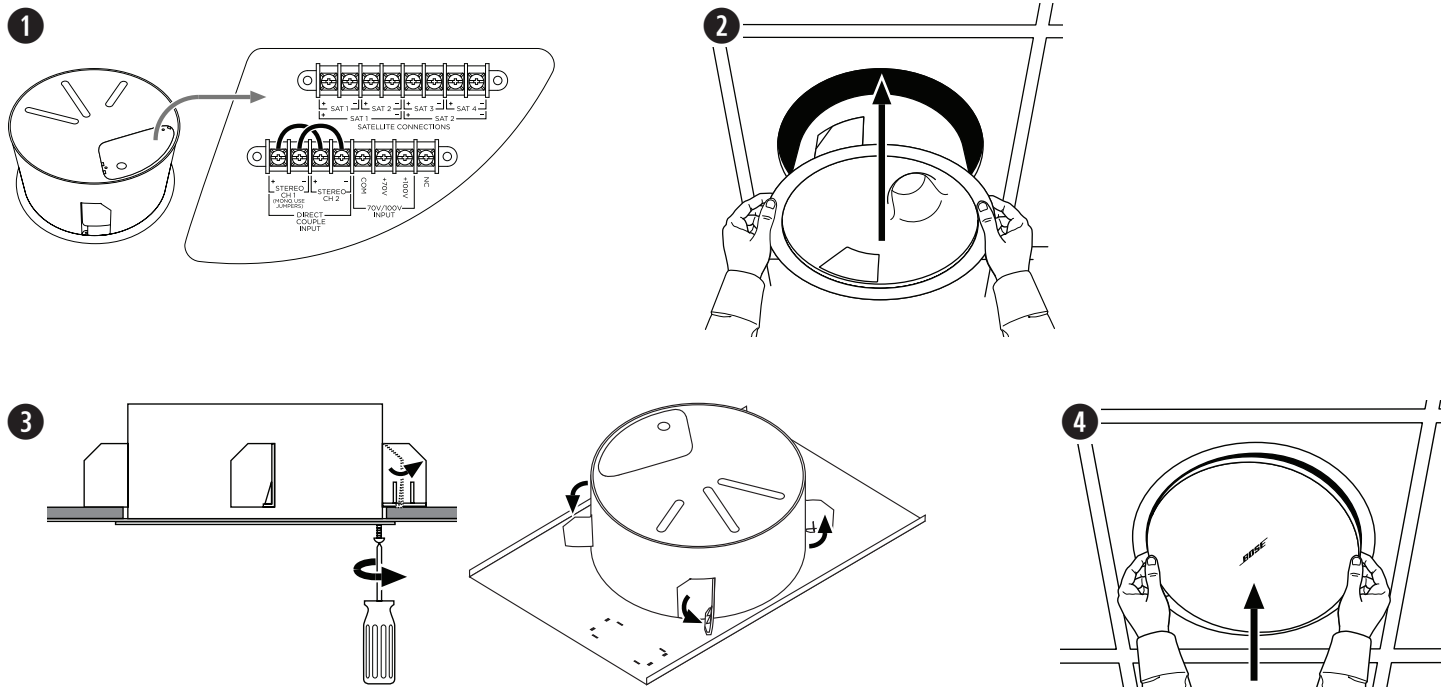
Modulo bassi Acoustimass serie II

1. Assicurarsi che tutti i cablaggi del diffusore siano stati completati. Per informazioni sul cablaggio, vedere **Cablaggio dei diffusori** (pagina 42).
2. Far passare il diffusore attraverso il foro ed inserirlo nel tile bridge. Continuare a tenere il diffusore in posizione.
3. Serrare le viti del braccio di ancoraggio per bloccare il diffusore. Se si utilizza un avvitatore elettrico, impostare un basso valore di coppia. Assicurarsi che tutti i bulloni di ancoraggio siano serrati prima di allentare la presa sul diffusore.



AVVERTENZA: un serraggio eccessivo delle viti può danneggiare il punto di aggancio dell'elemento di ancoraggio o il soffitto, con conseguenti rischi di caduta.

4. Con entrambe le mani, posizionare la griglia contro il diffusore. Spingere delicatamente la griglia contro il diffusore per fissarla. È possibile ruotare il logo quando la griglia è fissata.



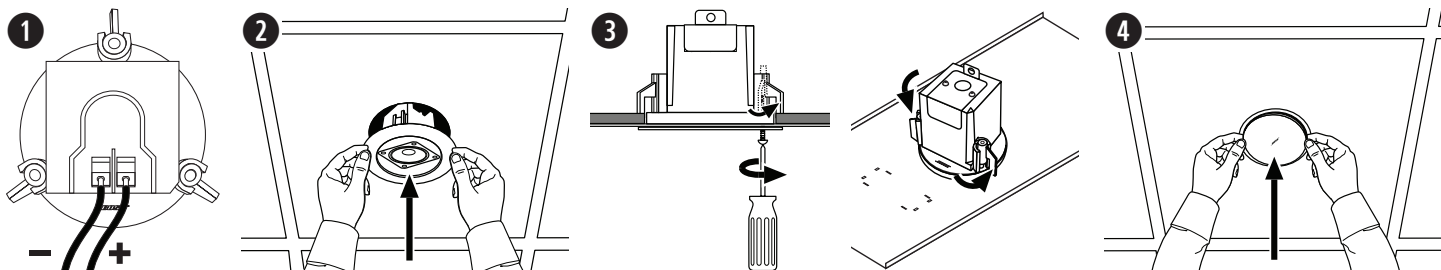
Satelliti per installazione ad incasso

1. Assicurarsi che tutti i cablaggi del diffusore siano stati completati. Per informazioni sul cablaggio, vedere **Cablaggio dei diffusori** (pagina 42).
2. Far passare il diffusore attraverso il foro ed inserirlo nel tile bridge. Continuare a tenere il diffusore in posizione.
3. Serrare le viti del braccio di ancoraggio per bloccare il diffusore. Se si utilizza un avvitatore elettrico, impostare un basso valore di coppia. Assicurarsi che tutti i bulloni di ancoraggio siano serrati prima di allentare la presa sul diffusore.



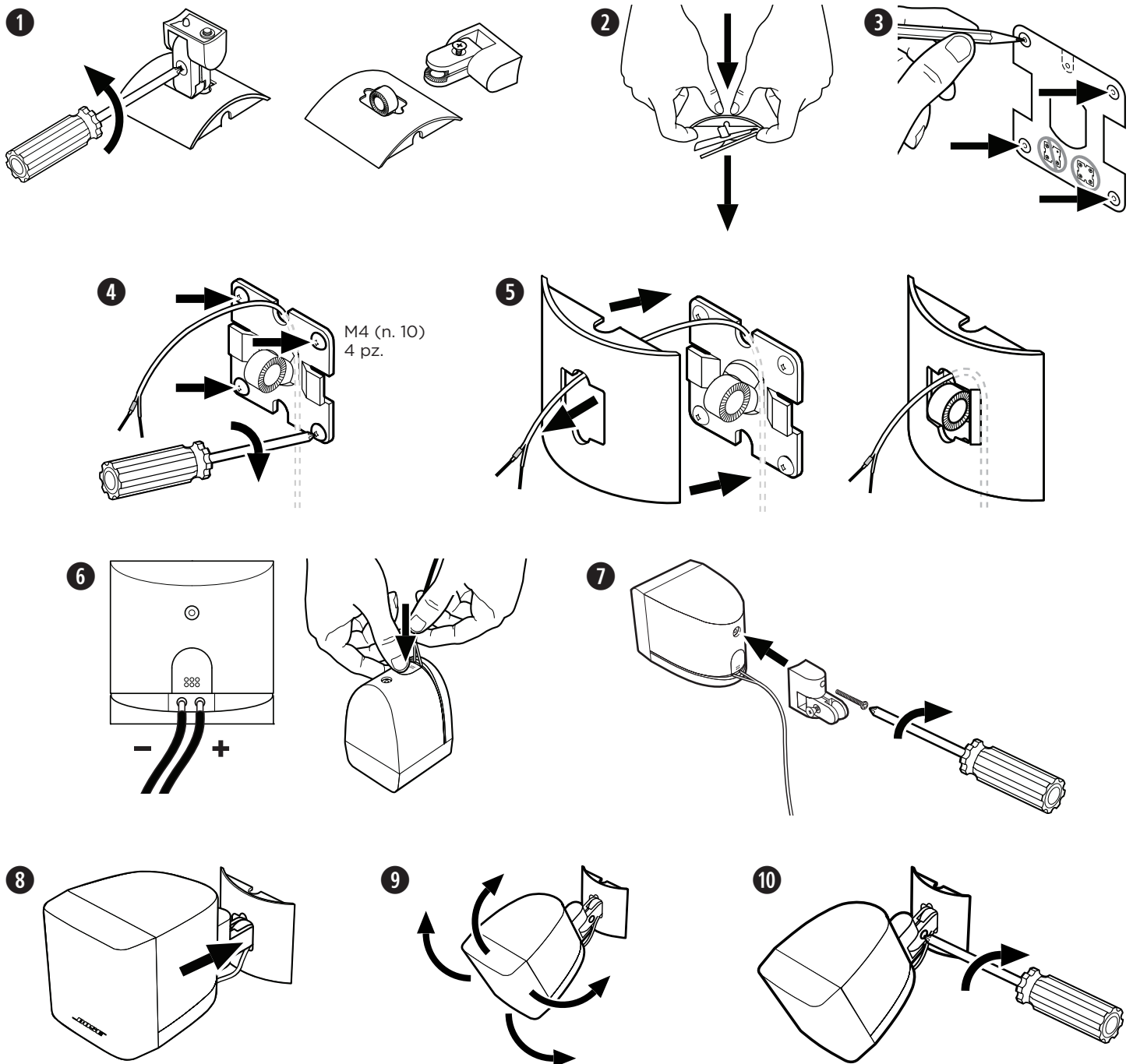
AVVERTENZA: un serraggio eccessivo delle viti può danneggiare il punto di aggancio dell'elemento di ancoraggio o il soffitto, con conseguenti rischi di caduta.

4. Con entrambe le mani, posizionare la griglia contro il diffusore. Spingere delicatamente la griglia contro il diffusore per fissarla.



Satelliti per installazione a parete

1. Allentare la vite che collega il braccio del diffusore alla staffa per l'installazione a parete e separare le due parti.
2. Separare la piastra posteriore dal coperchio della staffa per l'installazione a parete.
3. Utilizzare il modello per contrassegnare il centro di tutti e quattro i fori per le viti sulla parete.
4. Inserire quattro viti M4 (n. 10) per fissare la piastra della staffa per l'installazione a parete. Assicurarsi che il punto in cui il filo del diffusore esce dalla parete sia allineato con una tacca della piastra.
5. Attaccare nuovamente il coperchio della staffa per l'installazione a parete alla piastra, facendo passare il filo del diffusore attraverso il foro centrale del coperchio della staffa.
6. Collegare il filo al diffusore. Per informazioni sul cablaggio, vedere **Cablaggio dei diffusori** (pagina 42).
7. Utilizzare la vite inclusa per fissare il braccio del diffusore all'inserto filettato sul pannello posteriore dello stesso.
8. Posizionare il braccio del diffusore sulla staffa per l'installazione a parete allineando le due parti del giunto girevole (separate al punto 1).
9. Regolare gli angoli verticale ed orizzontale del diffusore come desiderato.
10. Inserire la vite (rimossa al punto 1) nel giunto girevole. Serrare la vite per fissare il diffusore alla staffa per l'installazione a parete all'angolazione desiderata.




Lees alle veiligheidsinstructies en de gebruiksaanwijzing door en bewaar deze.

Dit product is uitsluitend bestemd voor installatie door professionele installateurs! Dit document is bedoeld om professionele installateurs essentiële installatie- en veiligheidsrichtlijnen te bieden voor dit product in standaardsystemen voor vaste installatie. Lees dit document en alle veiligheidswaarschuwingen voordat u een systeem probeert te installeren.

Probeer dit product niet zelf te repareren. Neem voor alle onderhoud contact op met een geautoriseerd servicecenter, installateur, technicus, dealer of distributeur. Om contact op te nemen met Bose Professional en voor informatie over de dichtstbijzijnde dealer of distributeur, gaat u naar **PRO.BOSE.COM**.

1. Lees deze instructies door.
2. Bewaar deze instructies.
3. Neem alle waarschuwingen in acht.
4. Volg alle instructies.
5. Gebruik dit product niet in de buurt van water.
6. Alleen met een droge doek reinigen.
7. Zorg dat u de ventilatieopeningen niet blokkeert. Installeer het product volgens de instructies van de fabrikant.
8. Installeer het product niet in de buurt van warmtebronnen, zoals radiatoren, warmteroosters, kachels of andere apparaten (waaronder versterkers) die warmte produceren.
9. Gebruik uitsluitend aansluitonderdelen/accessoires die door de fabrikant worden gespecificeerd.



WAARSCHUWINGEN



Dit product bevat magnetisch materiaal. Raadpleeg uw arts om te vragen of dit invloed kan hebben op uw geïmplanteerde medische hulpmiddel.

- Alle Bose-producten moeten worden geïnstalleerd volgens de plaatselijke en landelijke voorschriften en industriënormen. Het is de verantwoordelijkheid van de installateur om ervoor te zorgen dat de installatie van de luidsprekers en het montagesysteem gebeurt met inachtneming van alle van toepassing zijnde voorschriften, waaronder plaatselijke bouwvoorschriften. Neem contact op met de juiste plaatselijke overheidsinstanties voordat u dit product installeert.
- Het onveilig monteren of ophangen van een zware last kan leiden tot beschadiging van uw eigendommen, ernstig letsel en overlijden. Het is de verantwoordelijkheid van de installateur om de betrouwbaarheid te evalueren van de gebruikte montagetechniek. Alleen professionele installateurs met kennis van het juiste gereedschap en veilige montagetechnieken mogen luidsprekers hoog ophangen.
- Monteer het product niet op locaties waar het kan worden blootgesteld aan water of condensatie.
- Dit product is niet bedoeld voor installatie of gebruik in overdekte ruimten voor wateractiviteiten (waaronder overdekte zwembaden, overdekte waterparken, stoomruimten, sauna's, bubbelbadkamers en overdekte ijsbanen).
- Niet bevestigen aan oppervlakken die niet sterk zijn of die mogelijke risico's opleveren, bijvoorbeeld vanwege elektrische bedrading of waterleidingen. Als u niet zeker weet hoe de wandsteen moet worden bevestigd, raadpleegt u een bevoegde installateur.
- Gebruik alleen de hardware en accessoires die zijn meegeleverd of gespecificeerd door Bose. De hardware voor bevestiging van de wandsteen aan het bevestigingsoppervlak wordt niet meegeleverd. Raadpleeg voor informatie over compatibele accessoires het datasheet met technische gegevens op **PRO.BOSE.COM**.
- Plaats of installeer het product niet in de buurt van warmtebronnen, zoals open haarden, radiatoren, verwarmingsroosters of andere apparaten (waaronder versterkers) die warmte produceren.
- Houd het product uit de buurt van vuur en warmtebronnen. Plaats geen open vlam, zoals een brandende kaars, op of bij het product.
- Er mogen geen wijzigingen aan dit product worden aangebracht door onbevoegden.
- Stel de luidspreker of de montageonderdelen niet bloot aan chemische substanties die niet zijn gespecificeerd door Bose, met inbegrip van, maar niet beperkt tot smeermiddelen, reinigingsmiddelen, contactsprays of andere oplosmiddelen op basis van koolwaterstoffen. Blootstelling aan dergelijke stoffen kan nadelige gevolgen hebben voor het kunststof materiaal, wat kan leiden tot scheuren en een risico op vallen.
- Reinig de luidsprekers alleen met een droge doek. Stel de luidspreker niet bloot aan zeep, reinigingsmiddel, minerale olie, alcohol of andere reinigingsmiddelen of chemicaliën.

Aansluitwaarden

	Ingangsspanning	Impedantie	Stroom/vermogen
Series II Acoustimass bass module	70 V/100 V	6 Ω mono direct, transformator omzeild	25 W, 50 W, 100 W, 200 W
Inbouwsatellietluidsprekers	Niet van toepassing	6 Ω	Niet van toepassing
Opbouwsatellietluidsprekers	Niet van toepassing	6 Ω per kanaal (systeem met 4 satellietluidsprekers); 5 Ω per kanaal (systeem met 2 satellietluidsprekers)	Niet van toepassing

Wettelijk verplichte informatie

CE Dit product voldoet aan alle vereisten van de van toepassing zijnde EU-richtlijnen. De volledige conformiteitsverklaring kunt u vinden op: www.Bose.com/compliance.


UK CA Dit product voldoet aan alle toepasselijke voorschriften in de Electromagnetic Compatibility Regulations 2016 en aan alle overige toepasselijke wet- en regelgeving van het Verenigd Koninkrijk. De volledige conformiteitsverklaring kunt u vinden op: www.Bose.com/compliance

 Dit symbool betekent dat het product niet mag worden weggegooid als huishoudelijk afval en naar een geschikt inzamelpunt voor recycling moet worden gebracht. Het op de juiste wijze afvoeren en recyclen helpt natuurlijke hulpbronnen, de menselijke gezondheid en het milieu te beschermen. Voor meer informatie over het afvoeren en recyclen van dit product neemt u contact op met de gemeente waar u woont, de afvalverwerkingsdienst of de winkel waar u dit product hebt gekocht.

Tabel m.b.t. de beperking van gevaarlijke stoffen in China

Namen van en gehalte aan giftige of gevaarlijke stoffen of elementen						
Giftige of gevaarlijke stoffen en elementen						
Naam onderdeel	Lood (Pb)	Kwik (Hg)	Cadmium (Cd)	Zeswaardig chroom (Cr(VI))	Polybroombifenyl (PBB)	Polybroomdifenylether (PBDE)
PCB's	X	0	0	0	0	0
Metalen onderdelen	X	0	0	0	0	0
Kunststof onderdelen	0	0	0	0	0	0
Luidsprekers	X	0	0	0	0	0
Kabels	X	0	0	0	0	0

Deze tabel is opgesteld in overeenstemming met de bepalingen van SJ/T 11364.
 O: Geeft aan dat het gehalte aan deze giftige of gevaarlijke stof in alle homogene materialen van dit onderdeel onder de maximaal toegelaten waarden in GB/T 26572 ligt.
 X: Geeft aan dat de giftige of gevaarlijke stof in minstens één van de voor dit onderdeel gebruikte homogene materialen boven de maximaal toegelaten waarden in GB/T 26572 ligt.



Tabel m.b.t. de beperking van gevaarlijke stoffen in Taiwan

Naam van het product:	Modelnummer:
FreeSpace 3 series II Acoustimass bass module	040147, 040148
FreeSpace 3 flush-mount satellites	040150, 040149
FreeSpace 3 surface-mount satellites	040144, 040143

Stoffen waarvoor beperkingen gelden, met de bijbehorende chemische symbolen						
Onderdeel	Lood (Pb)	Kwik (Hg)	Cadmium (Cd)	Zeswaardig chroom (Cr+6)	Polybroombifenyl (PBB)	Polybroomdifenylethers (PBDE)
PCB's	-	o	o	o	o	o
Metalen onderdelen	-	o	o	o	o	o
Kunststof onderdelen	o	o	o	o	o	o
Luidsprekers	-	o	o	o	o	o
Kabels	-	o	o	o	o	o

Opmerking 1: 'o' geeft aan dat de procentuele inhoud van de stof waarvoor beperkingen gelden het percentage van de referentiewaarde voor aanwezigheid niet overschrijdt.
Opmerking 2: '-' geeft aan dat de stof waarvoor beperkingen gelden overeenkomt met de uitzondering.

Fabricagedatum: Het achtste cijfer in het serienummer geeft het fabricagejaar aan. '7' is 2007 of 2017.

Importeur in China: Bose Electronics (Shanghai) Company Limited, Level 6, Tower D, No. 2337 Gudai Rd. Minhang District, Shanghai 201100

Importeur in het VK: Bose Limited, Bose House, Quayside Chatham Maritime, Chatham, Kent, ME4 4QZ, United Kingdom

Importeur in de EU: Bose Products B.V., Gorslaan 60, 1441 RG Purmerend, Nederland

Importeur in Mexico: Bose de México, S. de R.L. de C.V., Paseo de las Palmas 405-204, Lomas de Chapultepec, 11000 México, D.F. Gegevens importeur en service-informatie: +52 55 52 02 35 45

Importeur in Taiwan: Bose Taiwan Branch, 9F-A1, No.10, Section 3, Minsheng East Road, Taipei City 104, Taiwan. Telefoonnummer: +886 2 25 14 76 76

Hoofdkantoor Bose Corporation: 1 877 230 5639

Bose, Acoustimass, DesignMax, FreeSpace en Panaray zijn handelsmerken van Bose Corporation.

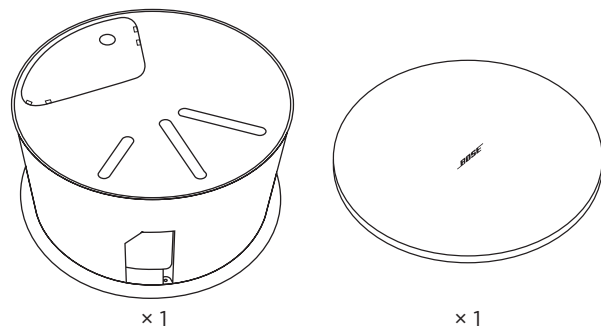
©2022 Bose Corporation. Niets in deze uitgave mag worden gereproduceerd, gewijzigd, gedistribueerd of op andere wijze worden gebruikt zonder voorafgaande schriftelijke toestemming.

Garantie-informatie

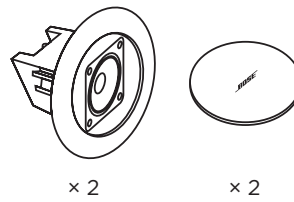
Dit product wordt gedekt door een beperkte garantie.
 Ga naar **PRO.BOSE.COM** voor garantie-informatie.

Inhoud van de doos

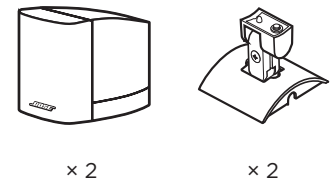
Series II Acoustimass bass module



Inbouwsatelliet-luidsprekers

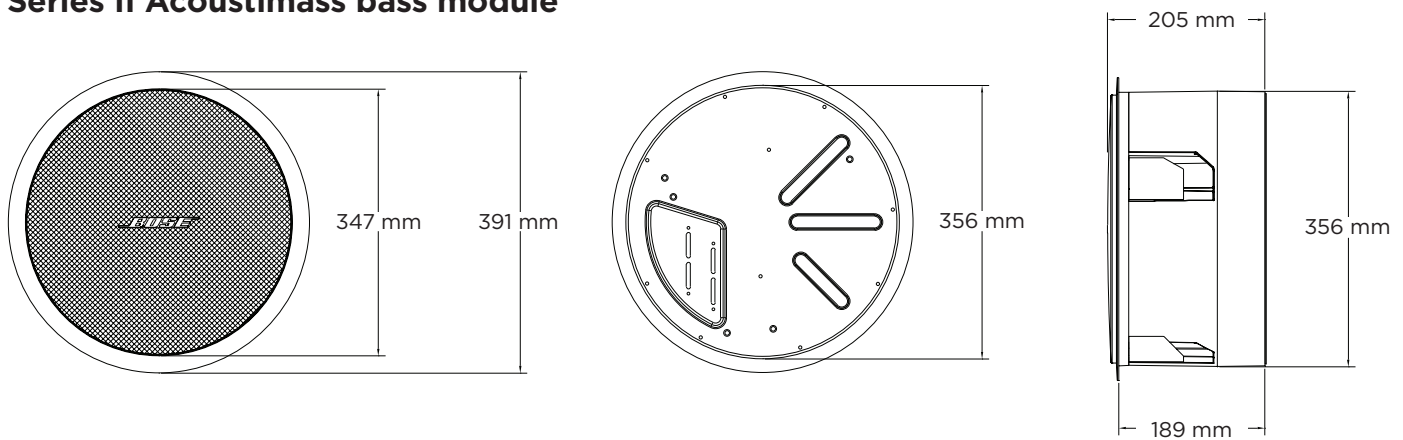


Opbouwsatelliet-luidsprekers

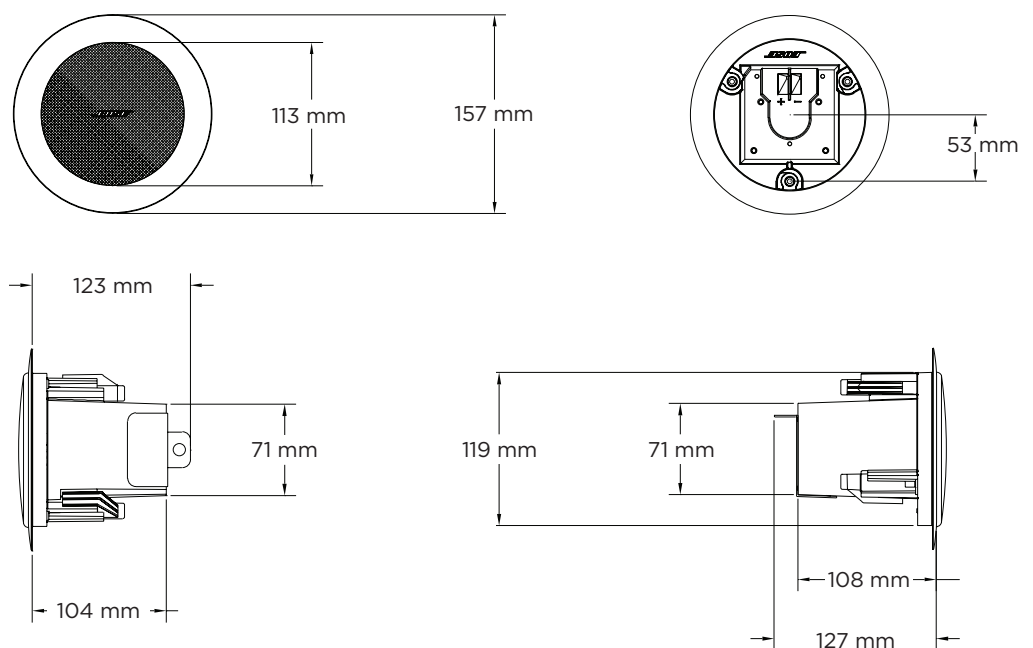


Afmetingen van het product

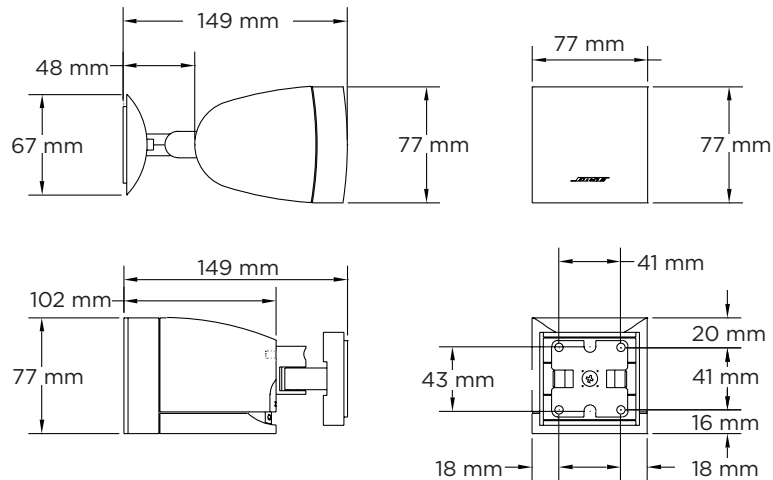
Series II Acoustimass bass module



Inbouwsatelliet-luidsprekers



Opbouwsatelliet-luidsprekers



Technische specificaties

Ga voor aanvullende specificaties, instructies en technische informatie over alle FreeSpace luidsprekers naar [bosepro.link/freespace](https://www.bosepro.link/freespace).

	Series II Acoustimass bass module	Inbouwsatellietluidsprekers	Opbouwsatellietluidsprekers
Afmetingen van het product			
Hoogte × breedte	391 mm (diameter buitenflens)	157 mm (diameter buitenflens)	77 × 77 mm
Diepte	190 mm	123 mm	Zonder wandsteun: 102 mm Met wandsteun: 149 mm
Plafondafmetingen			
Gatdiameter	362 mm	127 mm	Niet van toepassing
Maximale dikte	48 mm	38 mm	Niet van toepassing
Gewicht			
Netto	6,4 kg	0,9 kg	0,8 kg
Verzending	9,1 kg	2,3 kg	1,8 kg

Veiligheid en naleving van regelgeving

De Bose FreeSpace 3 series II Acoustimass module en flush-mount satellites hebben een UL-veiligheidskeurmerk voor:

universele luidsprekers conform UL1480, UL-categorie UEAY, dossiernummer S 5591

Geschikt voor gebruik op vochtige locaties binnen.

Geschikt voor installatie middels bekabelingsmethoden Klasse 1, Klasse 2 of Klasse 3 conform NFPA 70, National Electric Code, 2002, artikel 640

Geschikt voor gebruik in luchtbehandelings-plenumruimten, indien gecombineerd met de plenum covers PC-FS3B en PC-FS3F:

UL-2043, Fire Test and Visible Smoke Release for Discrete Products and their Accessories Installed in Air Handling Spaces

NFPA-70, National Electrical Code, 2002, artikel 300.22(C)

NFPA 90A, 2002, Installation of Air Conditioning and Ventilation Systems, Paragraph 4.3.10.2.6.5

De Bose FreeSpace 3 surface-mount satellites die in deze handleiding worden beschreven, hebben geen UL-keurmerk.



Belangrijke installatie-informatie



Het is de verantwoordelijkheid van de installateur om ervoor te zorgen dat de installatie van de luidsprekers en het montagesysteem gebeurt met inachtneming van alle van toepassing zijnde voorschriften, waaronder plaatselijke bouwvoorschriften. Neem contact op met de juiste plaatselijke overheidsinstanties voordat u dit product installeert.

Het is de verantwoordelijkheid van de installateur om de luidspreker veilig te installeren. Onjuiste installatie van de luidspreker kan leiden tot schade, letsel of een dodelijk ongeval.

Monteer het product niet op locaties waar het kan worden blootgesteld aan water of condensatie.

Dit product is niet bedoeld voor installatie of gebruik in overdekte ruimten voor wateractiviteiten (waaronder overdekte zwembaden, overdekte waterparken, stoomruimten, sauna's, bubbelbadkamers en overdekte ijsbanen).

Zorg dat u de ventilatieopeningen niet blokkeert. Installeer het product volgens de instructies van de fabrikant.

Installeer het product niet in de buurt van warmtebronnen, zoals radiatoren, warmteroosters, kachels of andere apparaten (waaronder versterkers) die warmte produceren. Houd het product uit de buurt van vuur en warmtebronnen. Plaats geen open vlam, zoals een brandende kaars, op of bij het product.

Niet bevestigen aan oppervlakken die niet sterk zijn of die mogelijke risico's opleveren, bijvoorbeeld vanwege elektrische bedrading of waterleidingen. Als u niet zeker weet hoe de wandsteun moet worden bevestigd, raadpleegt u een bevoegde installateur. Zorg ervoor dat de wandsteun wordt bevestigd volgens de plaatselijke bouwvoorschriften.

De hardware voor bevestiging van de luidspreker aan het bevestigingsoppervlak wordt niet meegeleverd. Raadpleeg een professional inzake het gebruik van de juiste montage materialen voordat u de luidspreker installeert.

Stel de luidspreker of de montageonderdelen niet bloot aan chemische substanties die niet zijn gespecificeerd door Bose, met inbegrip van, maar niet beperkt tot smeermiddelen, reinigingsmiddelen, contactsprays of andere oplosmiddelen op basis van koolwaterstoffen. Blootstelling aan dergelijke stoffen kan nadelige gevolgen hebben voor het kunststof materiaal, wat kan leiden tot scheuren en een risico op vallen.

Installatieopties

Series II Acoustimass bass module

Vereist

- ❶ FreeSpace 3BF Bass Loudspeaker inbouwplaat of
- ❷ FreeSpace 3BF Bass Loudspeaker tegelbrug

Optioneel

- ❸ FreeSpace 3BF Bass Loudspeaker hangbevestigingskit
- ❹ FreeSpace 3BF Bass Loudspeaker opbouwbevestigingskit
- ❺ FreeSpace 3BF Bass Loudspeaker plenum cover
- ❻ FreeSpace Omni hangbevestigingskit

Inbouwsatellietluidsprekers

Vereist

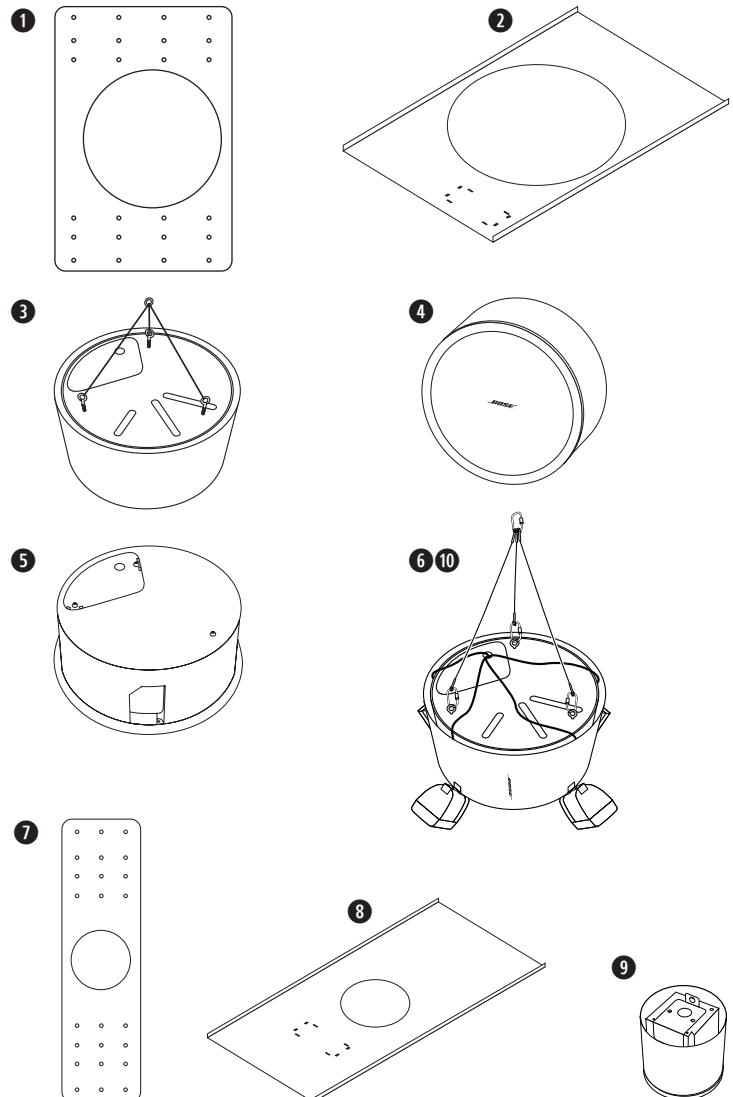
- ❷ FreeSpace 3F Satellite Loudspeaker inbouwplaat of
- ❸ FreeSpace 3F Satellite Loudspeaker tegelbrug

Optioneel

- ❹ FreeSpace 3F Satellite Loudspeaker cosmetische covers

Opbouwsatellietluidsprekers

- ❺ FreeSpace Omni hangbevestigingskit



De luidsprekers bekabelen

Bekabelingsdiameter

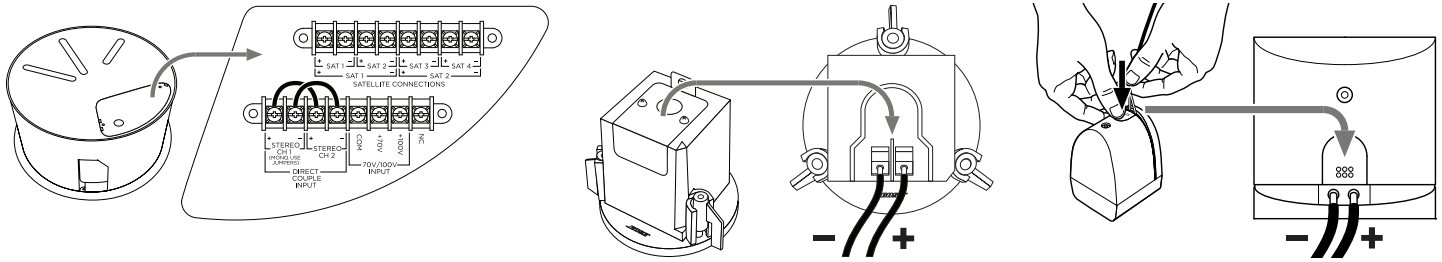
FreeSpace 3 luidsprekers zijn uitsluitend ontworpen voor bedrading van 18 AWG (0,8 mm²) tot 14 AWG (2,1 mm²).

Kabelaansluitingen

Series II Acoustimass bass module: Verwijder de achterplaat voor toegang tot de kabelaansluitingen. Breng de achterplaat weer aan nadat u alle kabels hebt aangesloten.

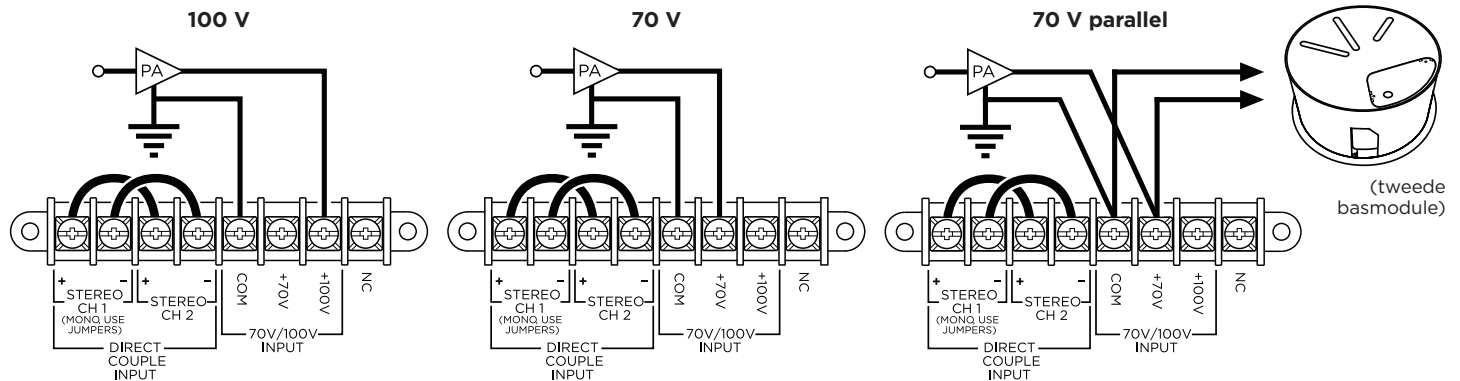
Inbouwsatellietluidsprekers: Verwijder de achterplaat voor toegang tot de kabelaansluitingen. Breng de achterplaat weer aan nadat u alle kabels hebt aangesloten.

Opbouwsatellietluidsprekers: Houd de knop op de achterzijde ingedrukt om de kabel zo ver mogelijk in de aansluiting te kunnen plaatsen.



Versterkeruitgang aansluiten

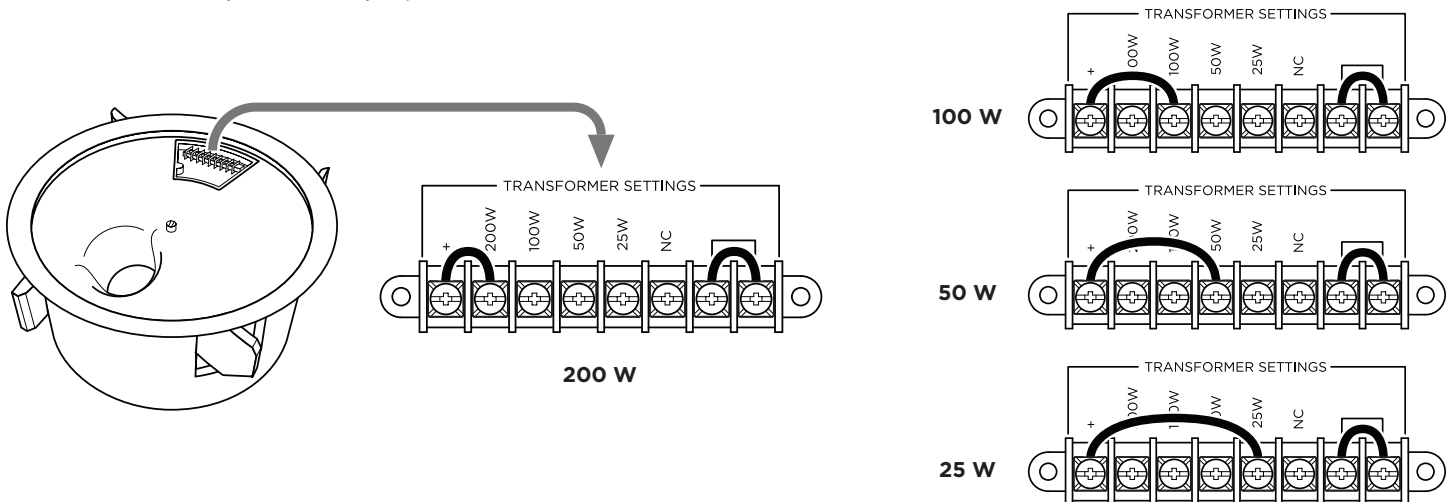
WAARSCHUWING: Sluit eerst alle kabels aan voordat u een versterker op de netvoeding aansluit of inschakelt.



Transformeraftakkingen

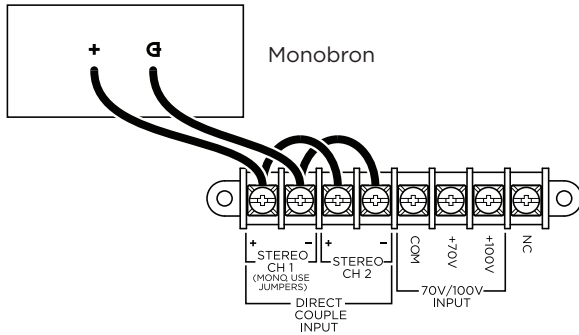
De transformeraftakking is standaard ingesteld op **200 W**. Om een lager vermogen in te stellen, verwijdert u het uiteinde van de +-jumperkabel die is aangesloten op de **200W**-aansluiting en sluit u die aan op de gewenste aftakking: **100 W**, **50 W** of **25 W**.

Opmerking: De jumperkabels zijn nodig bij aansluiting op een 70V/100V-systeem. Bij aansluiting op een 6Ω-systeem (transformator omzeild/direct) verwijdert u beide jumperkabels.



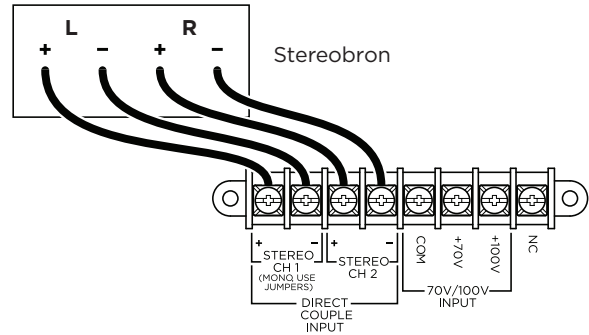
Transformator omzeilen (direct mono)

Als u de transformator wilt omzeilen en de luidspreker wilt voorbereiden op **4Ω**-gebruik en mono-ingangsgeluid, verwijdert u de twee jumperkabels van de transformatorinstellingen op de voorzijde van de luidsprekers. Laat de jumpers op de ingangen **CH1** en **CH2** op de achterzijde van de luidspreker zitten.



Transformator omzeilen (direct stereo)

Als u de transformator wilt omzeilen en de luidspreker wilt voorbereiden op **6Ω**-gebruik en stereo-ingangsgeluid, verwijdert u alle jumperkabels.



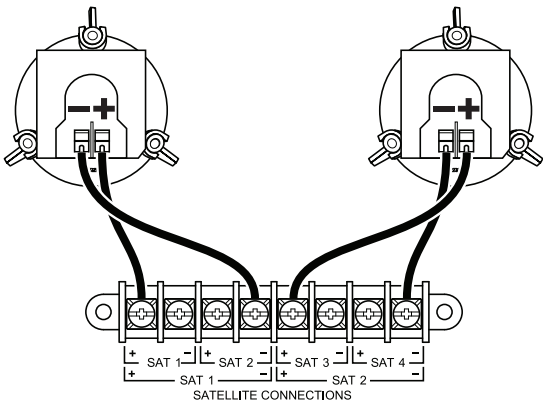
Satellietluidsprekers aansluiten

WAARSCHUWING: Sluit alleen FreeSpace 3 satellite loudspeakers direct aan op de module.

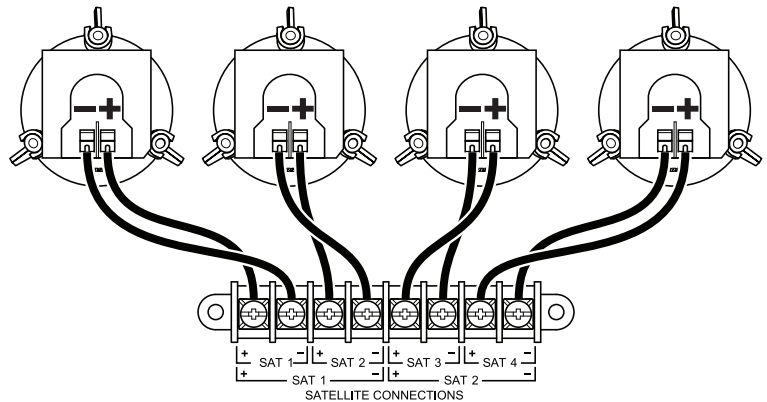
Sluit de FreeSpace 3 flush-mount satellites of surface-mount satellites aan op de FreeSpace 3 series II Acoustimass bass module. (Op deze pagina wordt getoond hoe de series II Acoustimass module is aangesloten op de inbouwsatellietluidsprekers. In plaats van inbouwsatellietluidsprekers kunt u ook opbouw-satellietluidsprekers gebruiken, zolang u deze aansluit met de juiste polariteit.)

U kunt de FreeSpace 3 series II Acoustimass module gebruiken met andere typen luidsprekers van Bose, onder andere de FreeSpace, DesignMax of Panaray. Als u dit doet, sluit dan beide luidsprekers en de module direct en via gescheiden kanalen aan op de versterker. Zorg dat u de juiste bandpasfilters en/of de aanbevolen equalisatie (indien beschikbaar) gebruikt voor alle andere luidsprekers. Voor elk type kunt u het technische gegevensblad op **PRO.BOSE.COM** raadplegen.

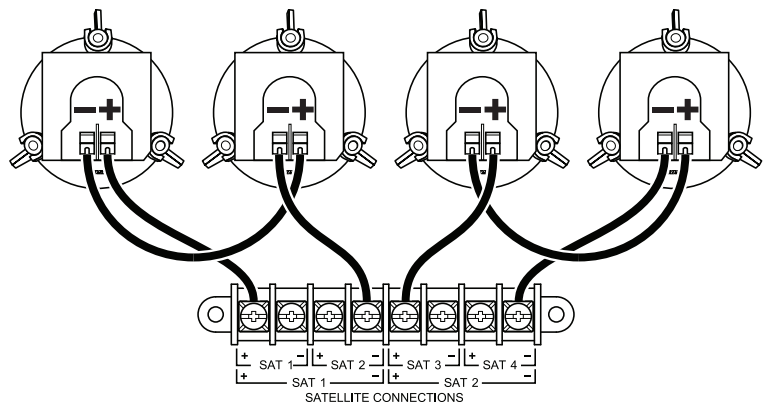
2 satellieten



4 satellieten



4 satellieten (alternatief, serieschakeling)



De installatie voorbereiden

Plaatsing luidspreker

Opmerking: Installatie in de nabijheid van kookoppervlakken waar de luidspreker direct kan worden blootgesteld aan bakolie, stoom, damp of hoge temperaturen (zoals in professionele keukens) kan de prestaties of betrouwbaarheid van de luidspreker verminderen.

Een veiligheidskabel gebruiken

In sommige regio's bent u volgens de bouwvoorschriften verplicht luidsprekers dubbel gezekeerd te bevestigen voor extra veiligheid. De gekozen locatie, montagewijze en gebruikte montagemiddelen moeten voldoen aan de geldende bouwvoorschriften en -verordeningen.

Bose raadt aan een veiligheidskabel te gebruiken als secundaire bevestigingsmethode voor de series II Acoustimass bass module en de inbouwsatellietluidsprekers. Volg de instructies van de fabrikant voor eventueel al ingebouwde secundaire beveiligingsmechanismen.

Elk type luidspreker heeft een of meer bevestigingspunten:

Series II Acoustimass bass module Verwijder een M6-schroef van de achterplaat en bevestig een veiligheidskabel in dit schroefgat.

Inbouwsatellietluidsprekers Bevestig een veiligheidskabel in de opening in de metalen lip op de achterplaat.

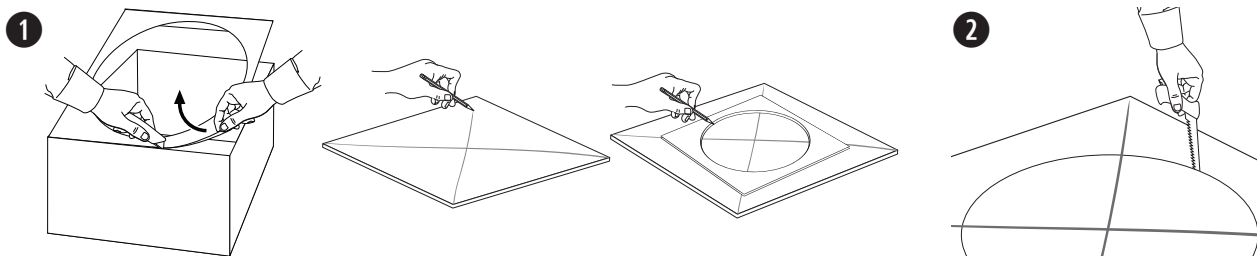
Plafond en toebehoren voorbereiden

Voordat u een basmodule of satellietluidsprekers gaat installeren, volgt u de aanwijzingen over het voorbereiden van het plafond en welke montage toebehoren voor de installatie moeten worden gebruikt. Zie **Installatieopties** (pagina 50) voor een lijst met vereiste of optionele accessoires voor elk type luidspreker.

De akoestische plafondtegels voorbereiden

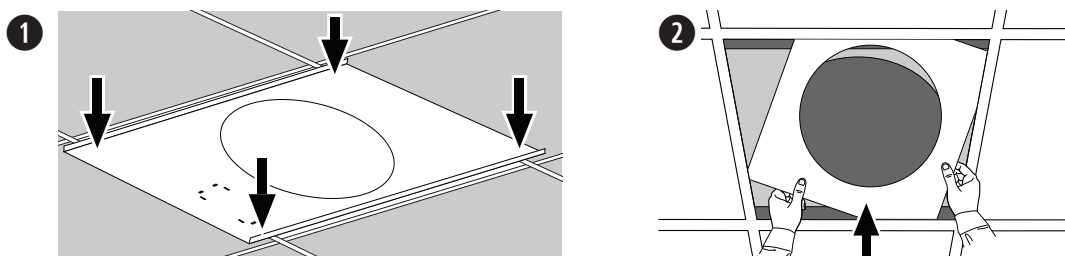
Een opening in de plafondtegels zagen

1. Verwijder de tegel en teken met behulp van het sjabloon een opening op de tegel. Teken een 'X' diagonaal vanuit de hoeken van de tegel, zodat u het sjabloon kunt centreren op het snijpunt.
2. Zaag een opening in de tegel.



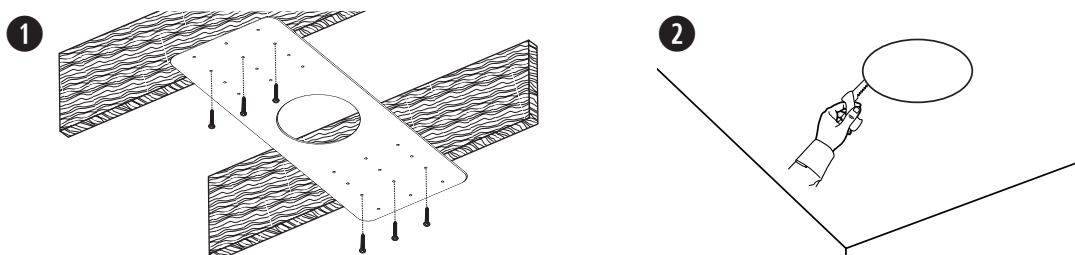
De tegelbrug plaatsen

1. Plaats de tegelbrug op het plafondraaster. Verstel indien nodig de tegelbrug zo dat de rails op het plafondraaster rusten.
2. Plaats de tegel terug in het plafond.



Vorbereiding van een hard plafond met een inbouwplaat (nieuwbouw)

1. Bevestig de inbouwplaat aan het metalen of houten raamwerk. In de inbouwplaat zitten meerdere vorgeboorde gaten die bevestiging op verschillende punten en diverse luidsprekeroriëntaties en luidsprekerplaatsingen mogelijk maken.
2. Nadat het plafond is afgewerkt, snijdt u een gat in het plafond met de inbouwplaat als sjabloon.



De luidspreker bevestigen

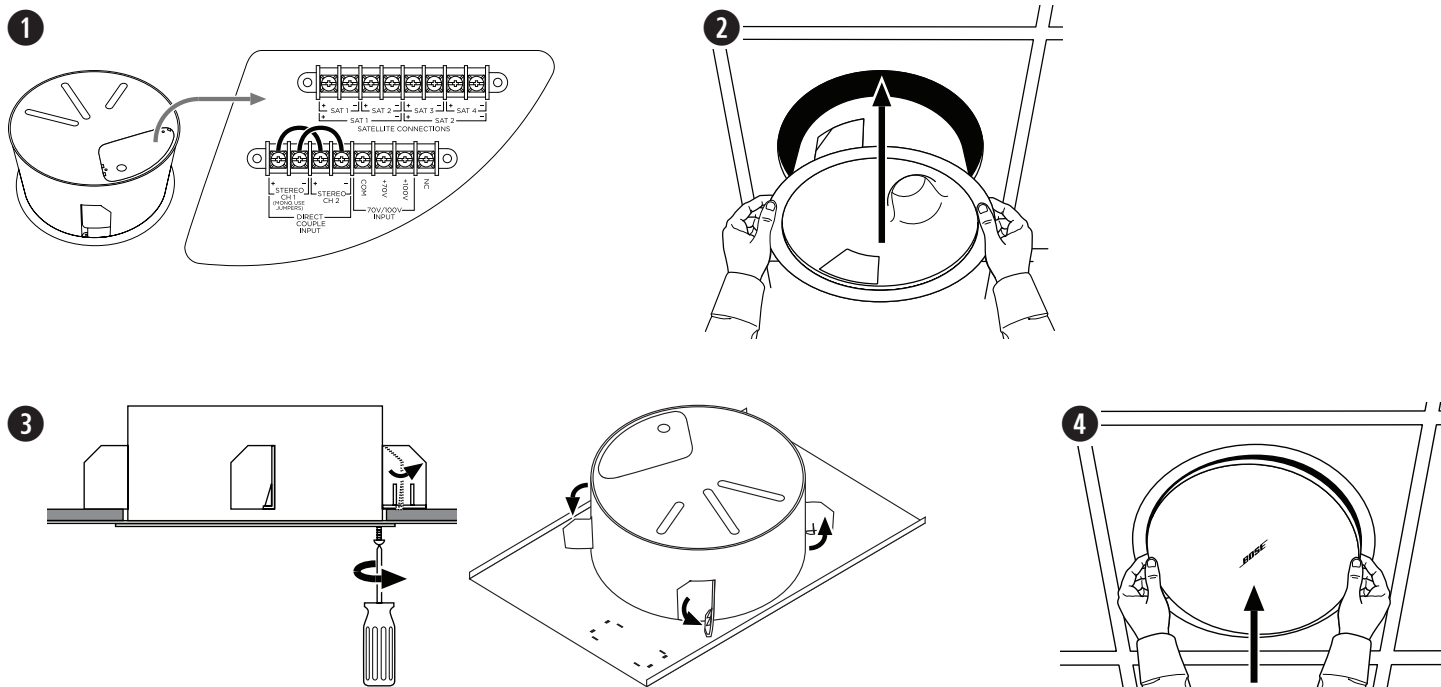
Series II Acoustimass bass module

1. Zorg dat alle luidsprekerkabels zijn aangesloten. Raadpleeg voor bekabelingsinformatie **De luidsprekers bekabelen** (pagina 51).
2. Steek de luidspreker door de opening en in de tegelbrug of de inbouwplaat. Houd de luidspreker op zijn plaats.
3. Draai de ankerarmschroeven vast om de luidspreker te bevestigen. Stel bij gebruik van een elektrische boor-/schroefmachine het apparaat in op een laag koppel. Zet alle ankers vast voordat u de luidspreker loslaat.



WAARSCHUWING: Wanneer u de schroeven te vast draait, kan het ankerbevestigingspunt of het plafond beschadigen, wat kan leiden tot een risico op vallen.

4. Plaats met beide handen de grille tegen de luidspreker. Druk de grille voorzichtig op de luidspreker vast. U kunt het logo draaien wanneer de grille is bevestigd.



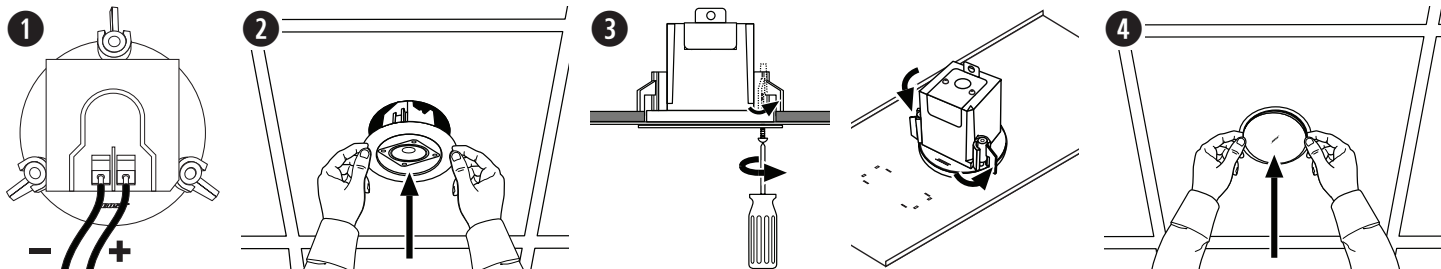
Inbouwsatellietluidsprekers

1. Zorg dat alle luidsprekerkabels zijn aangesloten. Raadpleeg voor bekabelingsinformatie **De luidsprekers bekabelen** (pagina 51).
2. Steek de luidspreker door de opening en in de tegelbrug of de inbouwplaat. Houd de luidspreker op zijn plaats.
3. Draai de ankerarmschroeven vast om de luidspreker te bevestigen. Stel bij gebruik van een elektrische boor-/schroefmachine het apparaat in op een laag koppel. Zet alle ankers vast voordat u de luidspreker loslaat.



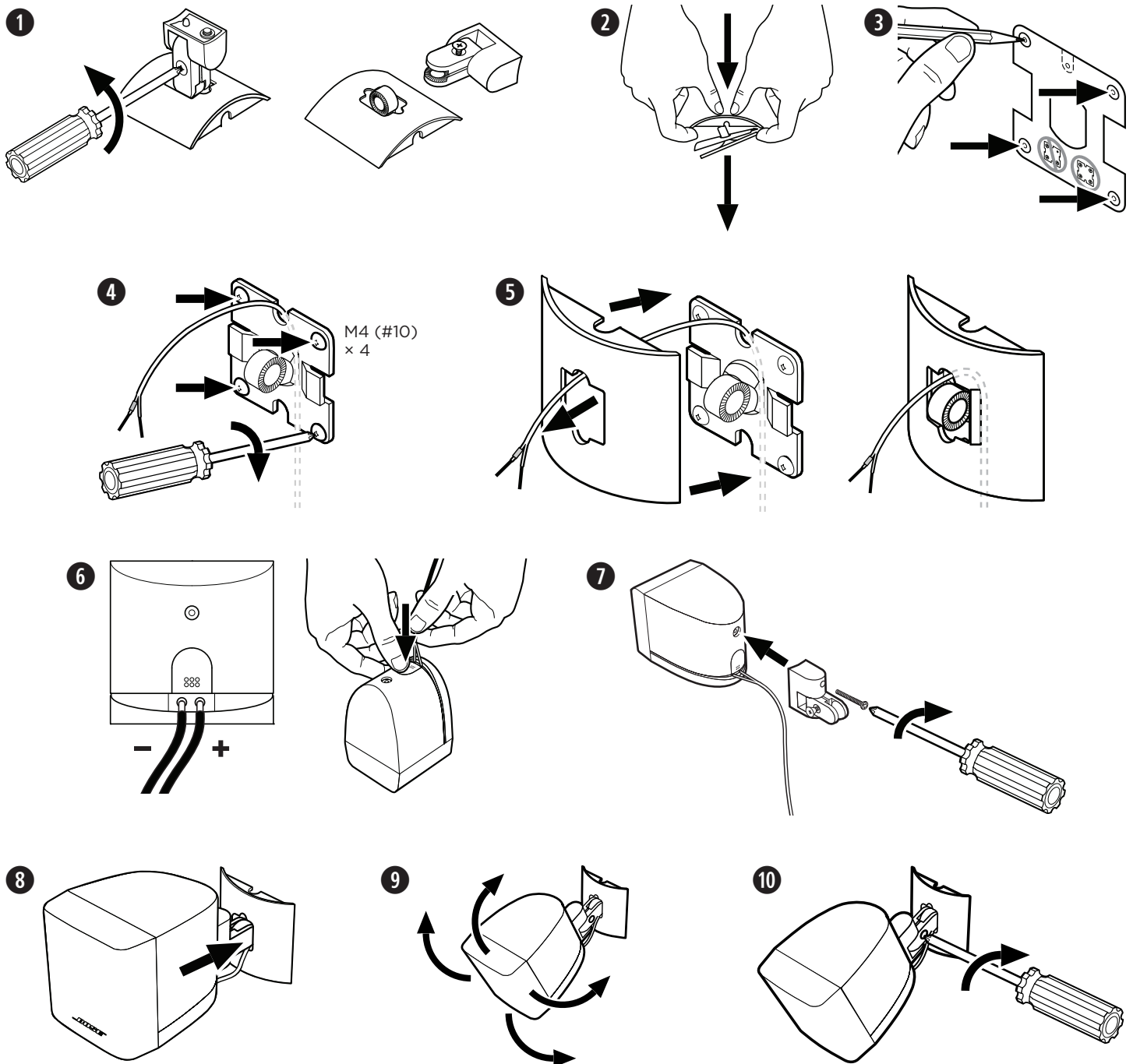
WAARSCHUWING: Wanneer u de schroeven te vast draait, kan het ankerbevestigingspunt of het plafond beschadigen, wat kan leiden tot een risico op vallen.

4. Plaats met beide handen de grille tegen de luidspreker. Druk de grille voorzichtig op de luidspreker vast.



Opbouwsatellietluidsprekers

1. Haal de scharnierschroef van de luidsprekerarm op de wandsteun los en haal de twee onderdelen van elkaar.
2. Haal de afdekking van de wandsteun los van de achterplaat.
3. Markeer het midden van de vier schroefgaten op de wand met behulp van het sjabloon.
4. Gebruik vier schroeven M4 (#10) om de wandplaat op de wand te bevestigen. Zorg dat het punt waar de luidsprekerkabel uit de wand komt, overeenkomt met een inkeping in de plaat.
5. Haal de luidsprekerkabel door het middengat in de afdekking van de wandsteun en breng de afdekking weer aan op de achterplaat.
6. Sluit de kabel aan op de luidspreker. Raadpleeg voor bekabelingsinformatie **De luidsprekers bekabelen** (pagina 51).
7. Bevestig de luidsprekerarm met de meegeleverde schroef op de draadbus op de achterzijde van de luidspreker.
8. Breng de twee scharnierdelen (die u in stap 1 van elkaar hebt gescheiden) op één lijn en plaats de luidsprekerarm op de wandsteun.
9. Stel de verticale en horizontale hoek van de luidspreker in.
10. Plaats de schroef (die u in stap 1 hebt verwijderd) in het scharnier. Zet de schroef vast om de luidspreker in de gewenste hoek op de wandsteun te bevestigen.



Les og ta vare på alle sikkerhets- og bruksinstruksjoner.

Dette produktet skal bare monteres av profesjonelle montører! Formålet med dette dokumentet er å gi profesjonelle montører grunnleggende monterings- og sikkerhetsveiledning for dette produktet i typiske fastmonteringsystemer. Les dette dokumentet og alle sikkerhetsadvarsler før du starter monteringen.

Ikke prøv å utføre vedlikehold på dette produktet selv. Henviss alt vedlikehold til autoriserte servicesentre, montører, teknikere, forhandlere eller distributører. Hvis du vil kontakte Bose Professional eller finne en forhandler eller distributør i nærheten, gå du til **PRO.BOSE.COM**.

1. Les disse instruksjonene.
2. Ta vare på disse instruksjonene.
3. Ta hensyn til alle advarsler.
4. Følg alle instruksjoner.
5. Ikke bruk dette apparatet i nærheten av vann.
6. Rengjør bare med en ren klut.
7. Ikke blokker ventilasjonsåpninger. Plasser i henhold til produsentens instruksjoner.
8. Ikke plasser produktet nær varmekilder som radiatorer, ventilasjonsgitter, ovner eller andre apparater (inkludert forsterkere) som produserer varme.
9. Bare bruk fester/tilbehør som er angitt av produsenten.

ADVARSLER/FORHOLDSREGLER

Dette produktet inneholder magnetisk materiale. Kontakt en lege hvis du vil finne ut om dette kan påvirke implantert medisinsk utstyr.

- Alle Bose-produkter må monteres i henhold til bransjeforskrifter og lokale og nasjonale forskrifter. Det er montørens ansvar å sikre at monteringen av høyttalere og monteringssystemet utføres i henhold til alle gjeldende forskrifter, inkludert lokale byggeforskrifter og bestemmelser. Kontakt de lokale myndighetene som har domsmyndighet før du monterer dette produktet.
- Utrygg montering eller opphenging av tunge gjenstander kan forårsake alvorlig skade eller død, samt skade på eiendom. Det er montørens ansvar å vurdere påliteligheten til alle monteringsmetodene de bruker. Takmonterte høyttalere skal bare monteres av profesjonelle montører med kunnskap om det riktige utstyret og trygge monteringsmetoder.
- Ikke monter produktet på steder der det kan bli eksponert for vann eller kondens.
- Dette produktet er ikke ment for montering eller bruk i innendørs vannanlegg (inkludert, men ikke begrenset til, innendørs basseng, innendørs badeland, rom med badestamp, badstuer, damprom og innendørs skøytebaner).
- Må ikke monteres på overflater som ikke er solide, eller som har skjulte faremomenter bak seg, for eksempel elektriske kabler eller rør. Kontakt en kvalifisert montør hvis du er usikker på hvordan braketten skal monteres.
- Bruk bare maskinvare og tilbehør som følger med, eller som er spesifisert av Bose. Jernvare for å feste monteringsbraketten til overflaten er ikke inkludert. Hvis du vil ha informasjon om kompatibelt tilbehør, kan du se produktets tekniske dataark på **PRO.BOSE.COM**.
- Ikke plasser eller monter produktet i nærheten av varmekilder, for eksempel ildsteder, radiatorer, varmeapparater, ovner eller andre apparater (herunder forsterkere) som produserer varme.
- Hold produktet unna ild og andre varmekilder. Ikke plasser kilder til bar ild, for eksempel tente stearinlys, på eller nær produktet.
- Ikke foreta uautoriserte endringer på dette produktet.
- Ikke eksponer høyttaleren eller monteringskomponentene for kjemikalier som ikke er spesifisert av Bose, inkludert, men ikke begrenset til, smøremidler, rengjøringsmidler, kontaktsprayer eller andre hydrokarbonbaserte oppløsningsmidler. Slike midler kan forårsake at plasmaterialet brytes ned, som igjen kan forårsake sprekker og at høyttaleren faller ned.
- Bruk bare en tørr klut når du skal rengjøre høyttalere. Ikke bruk såpe, vaskemiddel, mineralolje, alkohol eller andre rengjøringsmidler eller kjemikalier når du rengjør høyttaleren.

Produktklassifisering

	Inngangsspenning	Impedans	Strøm/effekt
Series II Acoustimass-bassmodul	70/100 V	6 Ω mono direkte, omgåelse av omformer	25 W, 50 W, 100 W, 200 W
Innebygde satellitter	Ikke aktuelt	6 Ω	Ikke aktuelt
Overflatemonterte satellitter	Ikke aktuelt	6 Ω per kanal (system med fire satellitter); 5 Ω per kanal (system med to satellitter)	Ikke aktuelt

Informasjon om forskrifter

CE Produktet overholder alle kravene i gjeldende EU-direktiver. Du finner den fullstendige samsvarserklæringen på: **www.Bose.com/compliance**.

UK CA Dette produktet er i samsvar med alle gjeldende bestemmelser om elektromagnetisk kompatibilitet for 2016 og alle andre gjeldende bestemmelser i Storbritannia. Den fullstendige samsvarserklæringen finner du på **www.Bose.com/compliance**

Dette symbolet betyr at produktet ikke må kasseres som husholdningsavfall, og at det skal leveres til en passende innsamlingsanlegg for gjenvinning. Riktig håndtering og gjenvinning bidrar til å beskytte naturressurser, helse og miljø. Hvis du vil ha mer informasjon om avfallshåndtering og resirkulering av dette produktet, kontakter du de lokale myndighetene, avfallsorganisasjonen eller butikken hvor du kjøpte dette produktet.

Tabell over begrensning av farlige stoffer for Kina

Delenavn	Navn på og innhold i giftige eller skadelige stoffer eller bestanddeler					
	Giftige eller farlige stoffer og elementer					
	Bly (Pb)	Kvikksølv (Hg)	Kadmium (Cd)	Heksavalent krom (Cr(VI))	Polybromert difenyleter (PBB)	Polybromert difenyleter (PBDE)
PCB-er	X	0	0	0	0	0
Metalldeler	X	0	0	0	0	0
Plastdeler	0	0	0	0	0	0
Høyttalere	X	0	0	0	0	0
Kabler	X	0	0	0	0	0

Denne tabellen er utarbeidet i henhold til kravene i SJ/T 11364.

O: Angir at dette giftige eller farlige stoffet som finnes i alle de homogene materialene i denne delen, er under grensekravene i GB/T 26572.

X: Angir at dette giftige eller farlige stoffet som finnes i minst ett av de homogene materialene i denne delen, er over grensekravene i GB/T 26572.

Tabell over begrensning av farlige stoffer for Taiwan

Utstyrnavn:	Typebetegnelse:
FreeSpace 3 Series II Acoustimass-bassmodul	040147, 040148
Innebygde FreeSpace 3-satellitter	040150, 040149
Overflatemonterte FreeSpace 3-satellitter	040144, 040143

Enhet	Begrensede stoffer og kjemiske symboler					
	Bly (Pb)	Kvikksølv (Hg)	Kadmium (Cd)	Heksavalent krom (Cr+6)	Polybromerte difenyleter (PBB)	Polybromerte difenyleter (PBDE)
PCB-er	-	o	o	o	o	o
Metalldeler	-	o	o	o	o	o
Plastdeler	o	o	o	o	o	o
Høyttalere	-	o	o	o	o	o
Kabler	-	o	o	o	o	o

Merknad 1: «o» angir at den prosentvise innholdsandelen av det begrensede stoffet ikke overskrider prosentdelen av referanseverdien for tilstedeværelse.

Merknad 2: «-» angir at det begrensede stoffet samsvarer med unntaket.

Produksjonsdato: Det åttende tallet i serienummeret viser produksjonsåret: 7 er 2007 eller 2017.

Importør for Kina: Bose Electronics (Shanghai) Company Limited, Level 6, Tower D, No. 2337 Gudai Rd. Minhang District, Shanghai 201100

Importør for Storbritannia: Bose Limited, Bose House, Quayside Chatham Maritime, Chatham, Kent, ME4 4QZ, Storbritannia

Importør i EU: Bose Products B.V., Gorslaan 60, 1441 RG Purmerend, Nederland

Importør i Mexico: Bose de México, S. de R.L. de C.V., Paseo de las Palmas 405-204, Lomas de Chapultepec, 11000 México, D.F. For informasjon om importør og service: +5255 (5202) 3545

Importør i Taiwan: Bose Taiwan Branch, 9F-A1, No. 10, Section 3, Minsheng East Road, Taipei City 104, Taiwan. Telefonnummer: +886-2-2514 7676

Hovedkontoret til Bose Corporation: 1-877-230-5639

Bose, Acoustimass, DesignMax, FreeSpace og Panaray er varemerker som tilhører Bose Corporation.

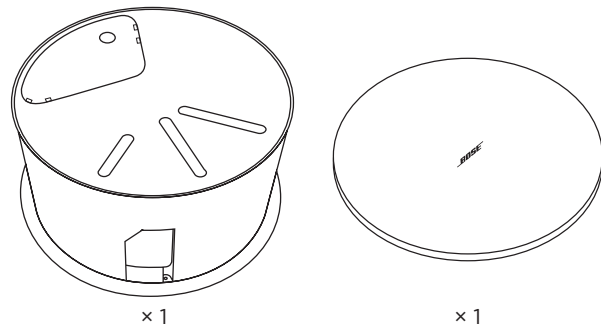
©2022 Bose Corporation. Ingen del av dette arbeidet kan bli reproduisert, endret, distribuert eller på annen måte brukt uten skriftlig tillatelse på forhånd.

Garantiinformasjon

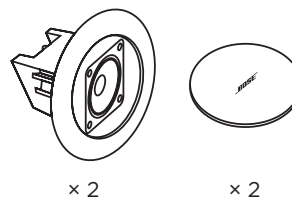
Dette produktet er dekket av en begrenset garanti. Hvis du vil ha informasjon om garanti, gå du til **PRO.BOSE.COM**.

Innhold i pakken

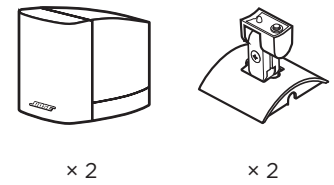
Series II Acoustimass-bassmodul



Innebygde satellitter

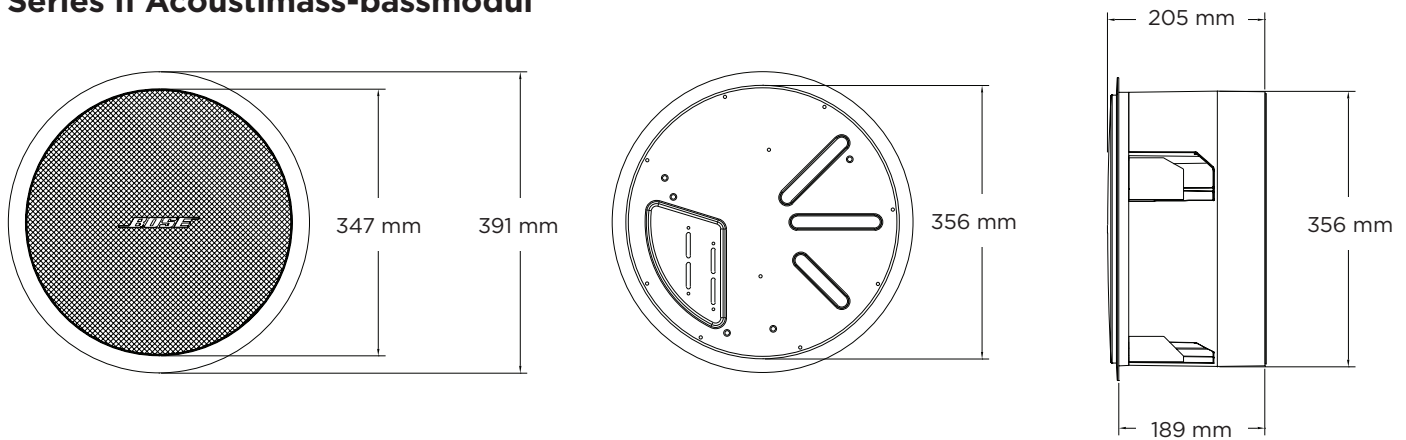


Overflatemonterte satellitter

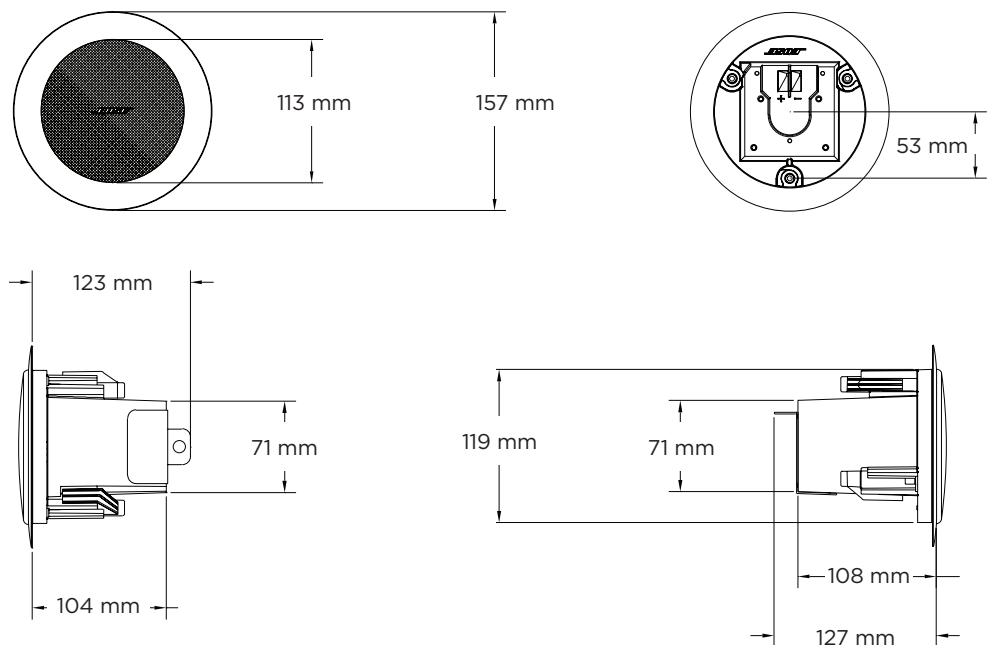


Produktmål

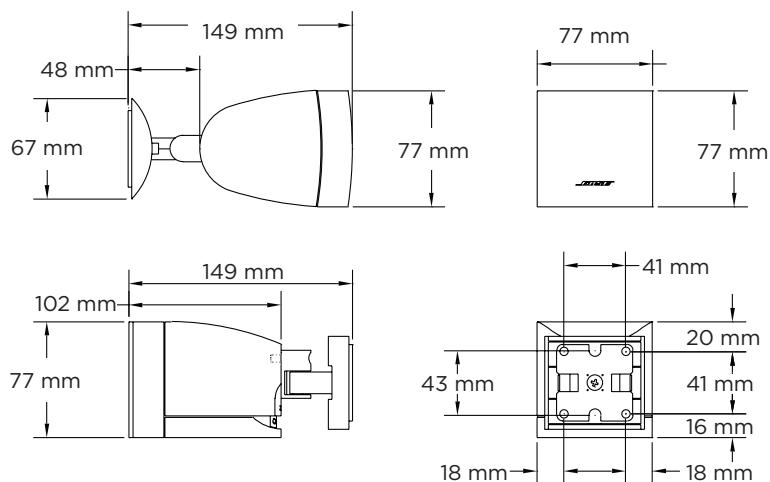
Series II Acoustimass-bassmodul



Innebygde satellitter



Overflatemonterte satellitter



Tekniske spesifikasjoner

Hvis du vil ha ytterligere spesifikasjoner, instruksjoner og teknisk informasjon om en FreeSpace-høytaler, kan du gå til [bosepro.link/freespace](https://www.bose.com/links/freespace).

	Series II Acoustimass-bassmodul	Innebygde satellitter	Overflatemonterte satellitter
Produktmål			
Høyde x bredde	391 mm (ytre diameter)	157 mm (ytre diameter)	77 x 77 mm
Dybde	190 mm	123 mm	Uten brakett: 102 mm Med brakett: 149 mm
Takmål			
Hulldiameter	362 mm	127 mm	Ikke aktuelt
Maksimal tykkelse	48 mm	38 mm	Ikke aktuelt
Vekt			
Netto	6,4 kg	0,9 kg	0,8 kg
Forsendelse	9,1 kg	2,3 kg	1,8 kg

Samsvar med sikkerhet og forskrifter

Bose FreeSpace-3 Series II Acoustimass-modulen og de innebygde satellittene er UL-listet for sikkerhet som:

Høytalere til generell bruk i henhold til UL1480, UL-kategori UEAY, filnummer S 5591

Egnet for bruk innendørs på fuktige steder.

Kan brukes til montering ved hjelp av kablingsmetoder i klasse 1, klasse 2 eller klasse 3, i samsvar med NFPA 70, National Electric Code, 2002, artikkel 640

Passer til bruk på ventilerte steder når den brukes med tilbehør til PC-FS3B- og PC-FS3F Plenum-deksel:

UL-2043, branntest og utløser for synlig røyk for diskrete produkter og tilbehør som er montert i ventilasjonsområder

NFPA -70, National Electrical Code, 2002, artikkel 300.22(c)

NFPA 90-A, 2002, montering av klimaanlegg og ventilasjonssystemer, paragraf 4.3.10.2.6.5

De overflatemonterte Bose FreeSpace 3-satellittene i denne veiledningen er ikke UL listet.



Viktig informasjon om montering



Det er montørens ansvar å sikre at monteringen av høyttalerne og monteringssystemet utføres i henhold til alle gjeldende forskrifter, inkludert lokale byggeforskrifter og bestemmelser. Kontakt de lokale myndighetene som har domsmyndighet før du monterer dette produktet.

Montøren har ansvaret for at høyttaleren er sikkert montert. Hvis høyttaleren ikke er montert på riktig måte, kan dette forårsake skade og død.

Ikke monter produktet på steder der det kan bli eksponert for vann eller kondens.

Dette produktet er ikke ment for montering eller bruk i innendørs vannanlegg (inkludert, men ikke begrenset til, innendørs basseng, innendørs badeland, rom med badestamp, badstuer, damprom og innendørs skøytebaner).

Ikke blokker ventilasjonsåpninger. Plasser i henhold til produsentens instruksjoner.

Ikke plasser produktet nær varmekilder som radiatorer, ventilasjonsgitter, ovner eller andre apparater (inkludert forsterkere) som produserer varme. Hold produktet unna ild og andre varmekilder. Ikke plasser kilder til bar ild, for eksempel tente stearinlys, på eller nær produktet.

Må ikke monteres på overflater som ikke er solide, eller som har skjulte faremomenter bak seg, for eksempel elektriske kabler eller rør. Kontakt en kvalifisert montør hvis du er usikker på hvordan braketten skal monteres. Sørg for at braketten er montert i henhold til lokale byggeforskrifter.

Enheten for å feste høyttaleren til monteringsoverflaten er ikke inkludert. Kontakt en fagperson for å finne riktig jernvare til montering før høyttaleren installeres.

Ikke eksponer høyttaleren eller monteringskomponentene for kjemikalier som ikke er spesifisert av Bose, inkludert, men ikke begrenset til, smøremidler, rengjøringsmidler, kontaktsprayer eller andre hydrokarbonbaserte oppløsningsmidler. Slike midler kan forårsake at plastmaterialet brytes ned, som igjen kan forårsake sprekker og at høyttaleren faller ned.

Monteringsalternativer

Series II Acoustimass-bassmodul

Obligatorisk

- 1 FreeSpace 3Bf-basshøyttaler med Rough-In Pan eller
- 2 FreeSpace 3Bf-basshøyttaler med monteringsbro

Tilleggsutstyr

- 3 FreeSpace 3Bf-basshøyttaler med sokkelmonteringssett
- 4 FreeSpace 3Bf-basshøyttaler med overflatemonteringssett
- 5 FreeSpace 3Bf-basshøyttaler med Plenum-deksel
- 6 FreeSpace Omni-høyttaler med sokkelmonteringssett

Innebygde satellitter

Obligatorisk

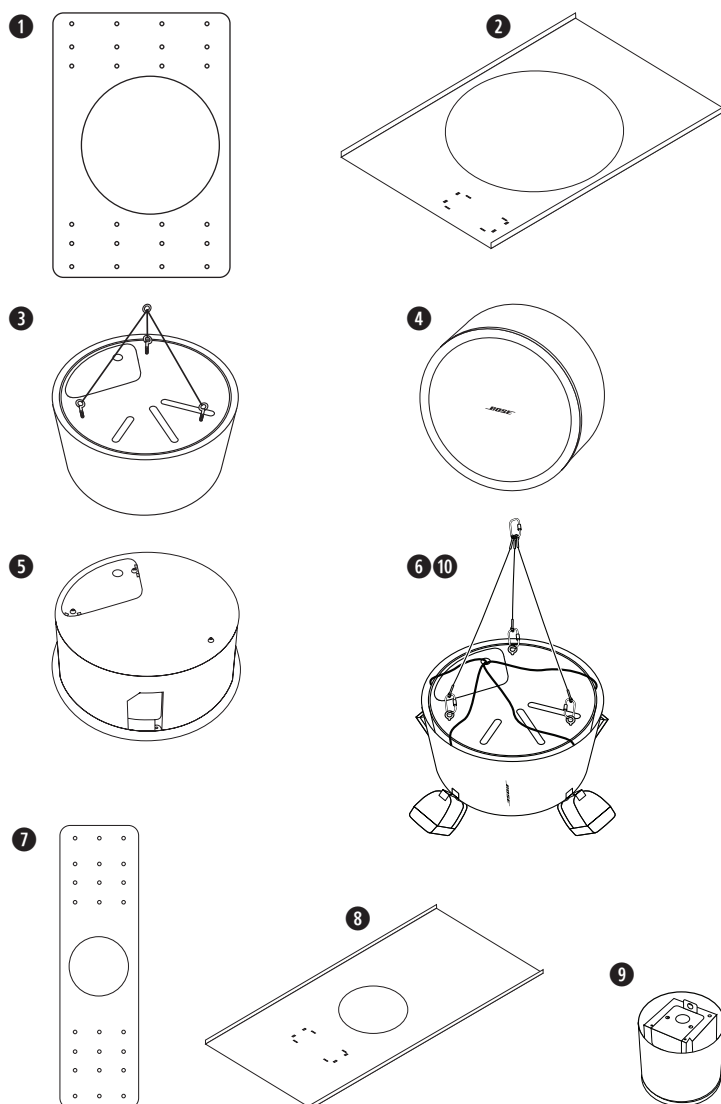
- 7 FreeSpace 3F-satellitthøyttaler med Rough-in Pan eller
- 8 FreeSpace 3F-satellitthøyttaler med monteringsbro

Tilleggsutstyr

- 9 FreeSpace 3F-satellitthøyttaler med pyntedekslar

Overflatemonterte satellitter

- 10 FreeSpace Omni-høyttaler med sokkelmonteringssett



Koble til høyttalerne

Kabeldiameter

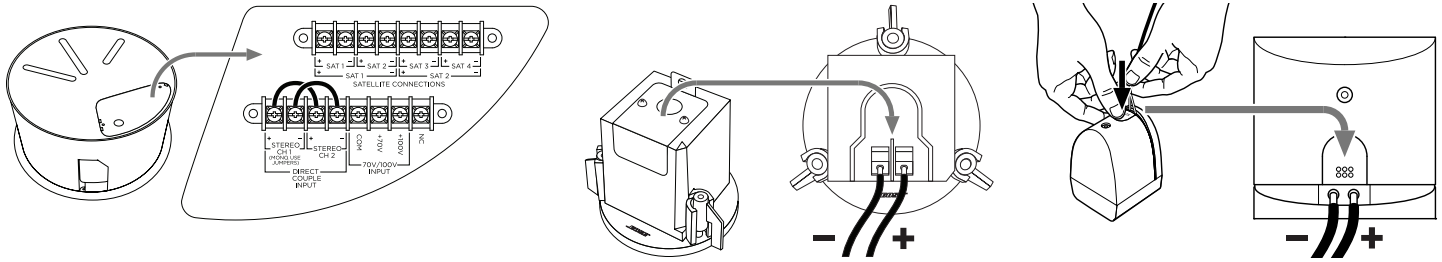
FreeSpace 3-høyttalerne er utformet for å fungere kun med kabler på mellom 18 AWG (0,8 mm²) til 14 AWG (2,1 mm²).

Kabelkontakter

Series II Acoustimass-bassmodul: Fjern bakdekselplaten for å få tilgang til kabelkontaktene. Fest bakdekselplaten igjen etter at alle kabeltilkoblingene er fullført.

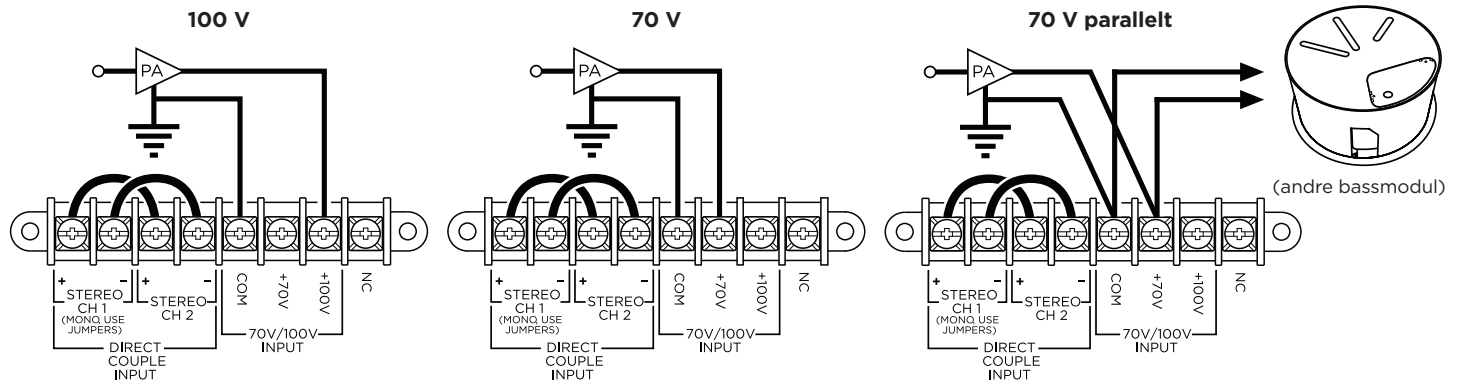
Innebygde satellitter: Fjern bakdekselplaten for å få tilgang til kabelkontaktene. Fest bakdekselplaten igjen etter at alle kabeltilkoblingene er fullført.

Overflatemonterte satellitter: Trykk på og hold inne knappen på bakpanelet mens du setter kabelen helt inn.



Tilkobling for forsterkerutgang

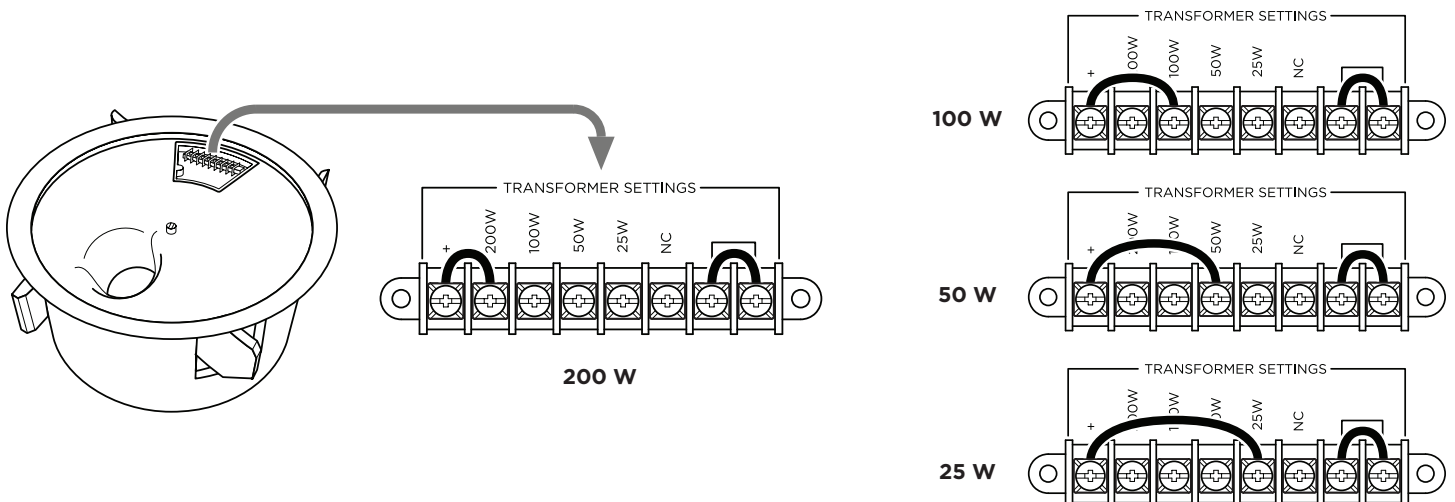
FORSIKTIG: Fullfør alle kabeltilkoblinger før du kobler en forsterker til strøm eller slår den på.



Innstillinger for omformerkontakt

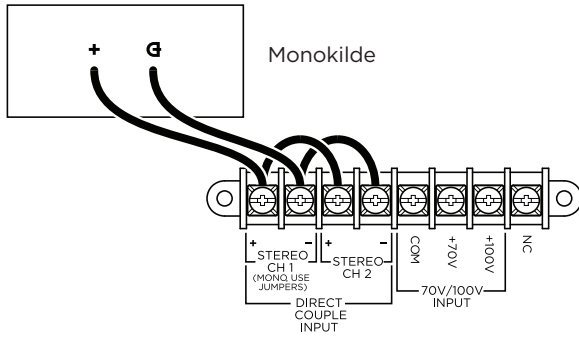
Omformerkontakten er stilt inn på fabrikk for bruk ved **200 W**. Hvis du vil stille den inn på en lavere wattstyrke, fjerner du enden på +-jumperkabelen som er koblet til **200 W**-terminalen og fester den til riktig kontakt: **100 W**, **50 W** eller **25 W**.

Merk: Jumperkablene kreves for drift på 70/100 V. For 6Ω-drift (omgåelse av omformer / direkte) må du fjerne begge jumperkablene.



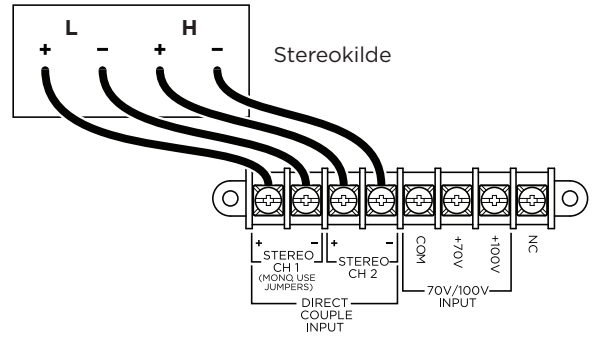
Omgåelse av omformer (direkte mono)

Hvis du vil unngå å bruke omformeren og klargjøre høyttaleren for bruk på **4Ω** og monolyd, fjerner du de to jumperkoblingene fra omformerinnstillingene foran på høyttalerne. La CH1- og CH2-inngangsjumperkoblingene stå på baksiden av høyttaleren slik de er.



Omgåelse av omformer (direkte stereo)

For å unngå omformeren og klargjøre høyttaleren for bruk på **6Ω** og stereolydingang, fjerner du alle jumperkabler.



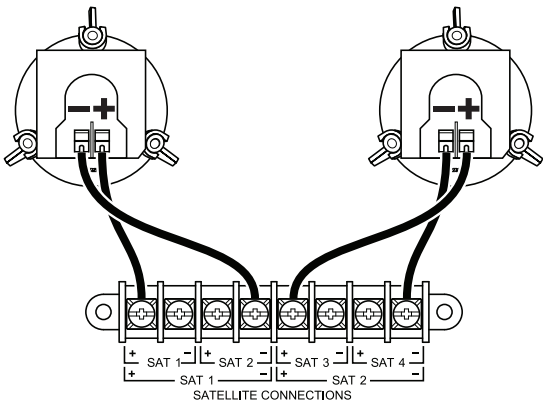
Tilkobling av satellithøyttaler

FORSIKTIG: Ikke koble andre høyttalere enn FreeSpace 3-satellithøyttalere direkte til modulen.

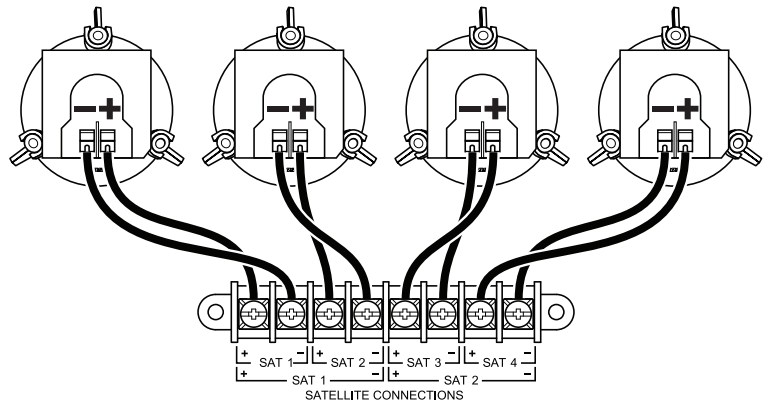
Koble FreeSpace 3 Series II Acoustimass-bassmodulen til FreeSpace 3 innebygde satellitter eller overflatemonterte satellitter. (På denne siden vises Series II Acoustimass-modulen tilkoblet til de overflatemonterte satellittene. Du kan bytte ut overflatemonterte satellitter for alle innebygde satellitter så lenge du kobler dem til med riktig polaritet.)

Du kan bruke FreeSpace 3 Series II Acoustimass-modulen med andre Bose-høyttalere, inkludert, men ikke begrenset til FreeSpace-, DesignMax- eller Panaray-modeller. Hvis du gjør dette, kobler du både høyttalerne og modulen direkte til forsterkeren ved hjelp av separate kanaler. Sørg for at du bruker riktig båndpassfiltrering og/eller anbefalt utjevning (hvis tilgjengelig) på alle andre høyttalere. Gå til **PRO.BOSE.COM** og se det tekniske dataarket for hver modell.

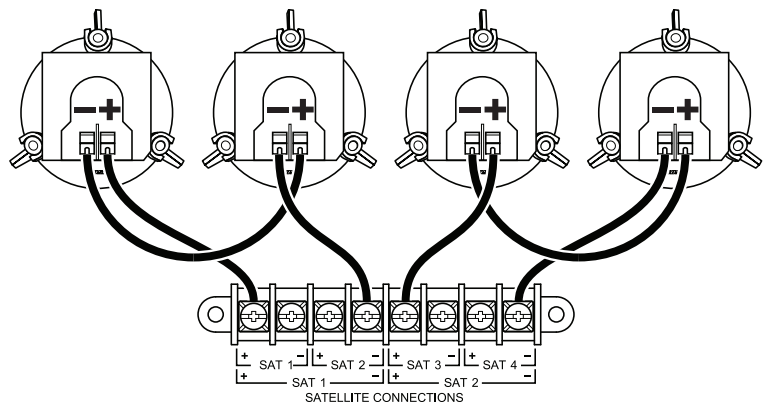
To satellitter



Fire satellitter



Fire satellitter (alternativ, seriemetode)



Forberede monteringen

Plassering av høyttaler

Merk: Monteringen på steder hvor høyttaleren kan komme i kontakt med matolje, damp eller høy varme, for eksempel på storkjøkken, kan redusere ytelsen eller påliteligheten til høyttaleren.

Bruke en sikkerhetskabel

Noen regionale byggeforskrifter krever at du sikrer høyttalerne ytterligere ved hjelp av en sekundær sikringsmetode. Velg monteringssted, -metode- og -utstyr som samsvarer med lokale byggeforskrifter og bestemmelser.

Bose anbefaler å bruke en sikkerhetskabel som en sekundær sikkerhetsmekanisme for Series II Acoustimass-bassmodulen og innebygde satellitter. Følg produsentens instruksjoner for eventuelle sekundære festemekanismer som brukes.

Hver høyttalermodell har ett eller flere mulige festepunkter:

Series II Acoustimass-bassmodul Skru ut en M6-skru fra bakdekselplaten, og fest en sikkerhetskabel til det aktuelle skruehullet.

Innebygde satellitter Fest en sikkerhetskabel til åpningen i metalltappen på bakdekselplaten.

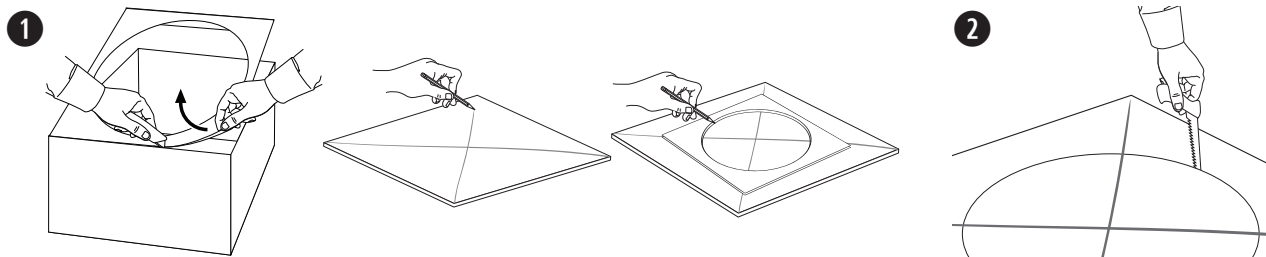
Klargjøring av tak og tilbehør

Før du monterer en bassmodul eller satellitthøyttalere, må du følge instruksjonene for å klargjøre taket og eventuelt tilbehør du vil bruke til monteringen. Se **Monteringsalternativer** (side 59) for å se en liste over nødvendig og valgfritt tilbehør for hver høyttalermodell.

Klargjøre lyddempende takplate

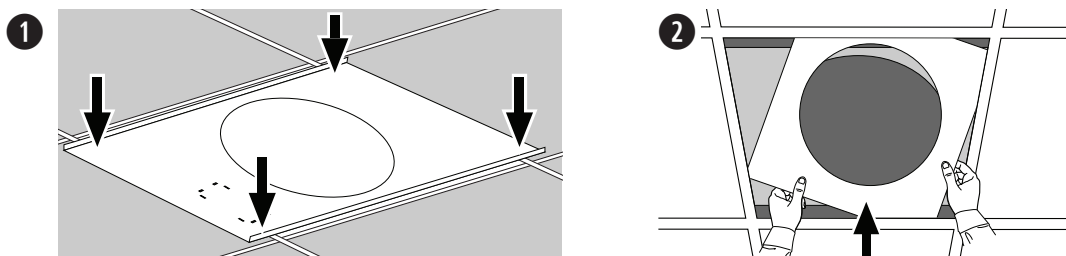
Skjære takplaten

1. Fjern platen, og bruk malen til å tegne et høyttalerhull på platen. Hvis du vil plassere malen midt på platen, tegner du en **X** ved å streke opp diagonale linjer mellom hjørnene og plassere malen på krysningspunktet.
2. Skjær et hull i platen.



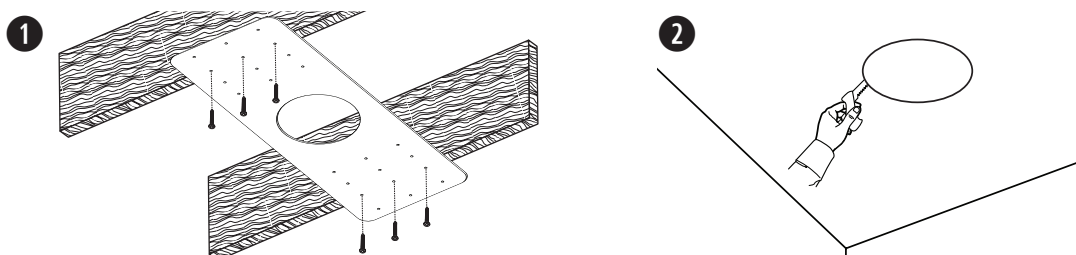
Installere monteringsbroen

1. Plasser monteringsbroen over takristen. Juster om nødvendig monteringsbroen slik at skinnene hviler på takristen.
2. Sett takplaten tilbake på plass.



Forberedelser av hardt tak ved hjelp av Rough-in Pan (ny konstruksjon)

1. Fest rough-in pan til bjelkelaget. Rough-in pan har flere forhåndsborede hull tilpasset for ulike mellomrom i bjelkelaget og høyttalerens montering.
2. Når taket er ferdig, skjærer du ut et hull i det ferdige taket med rough-in pan som mal.



Montere høyttaleren

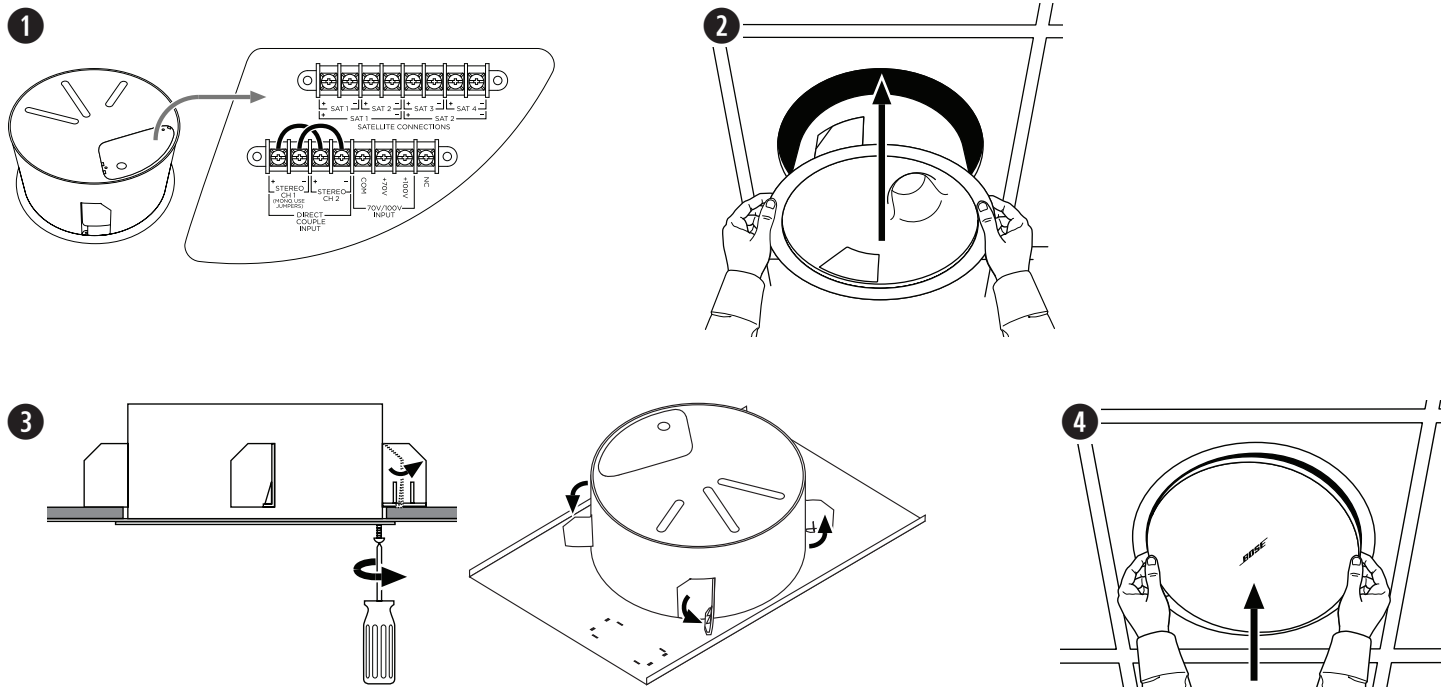
Series II Acoustimass-bassmodul

1. Kontroller at alle kabeltilkoblingene for høyttaleren er fullført. Hvis du vil ha mer informasjon om kabling, kan du se **Kable høyttaleren** (side 60).
2. Før høyttaleren gjennom hullet og inn i monteringsbroen eller rough-in pan. Fortsett å holde høyttaleren på plass.
3. Stram skruene på ankerarmen for å feste høyttaleren. Hvis du bruker en elektrisk drill, må du stille den inn på lavt dreiemoment. Kontroller at alle festene er strammet før du løsner grepet på høyttaleren.



ADVARSEL: Hvis skruene strammes for mye, kan dette forårsake skade på ankerfestepunktet eller taket, og at høyttaleren faller ned.

4. Bruk begge hendene når du plasserer grillen mot høyttaleren. Skyv grillen forsiktig mot høyttaleren for å feste den. Du kan rotere logoen når grillen er festet.



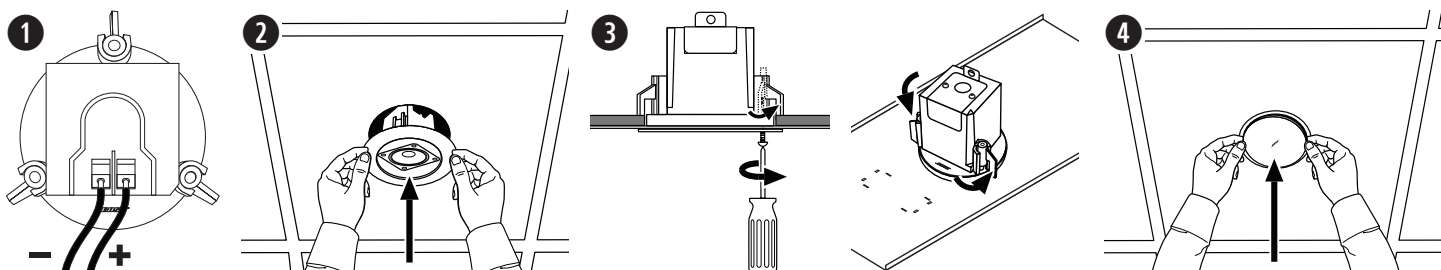
Innebygde satellitter

1. Kontroller at alle kabeltilkoblingene for høyttaleren er fullført. Hvis du vil ha mer informasjon om kabling, kan du se **Kable høyttaleren** (side 60).
2. Før høyttaleren gjennom hullet og inn i monteringsbroen eller rough-in pan. Fortsett å holde høyttaleren på plass.
3. Stram skruene på ankerarmen for å feste høyttaleren. Hvis du bruker en elektrisk drill, må du stille den inn på lavt dreiemoment. Kontroller at alle festene er strammet før du løsner grepet på høyttaleren.



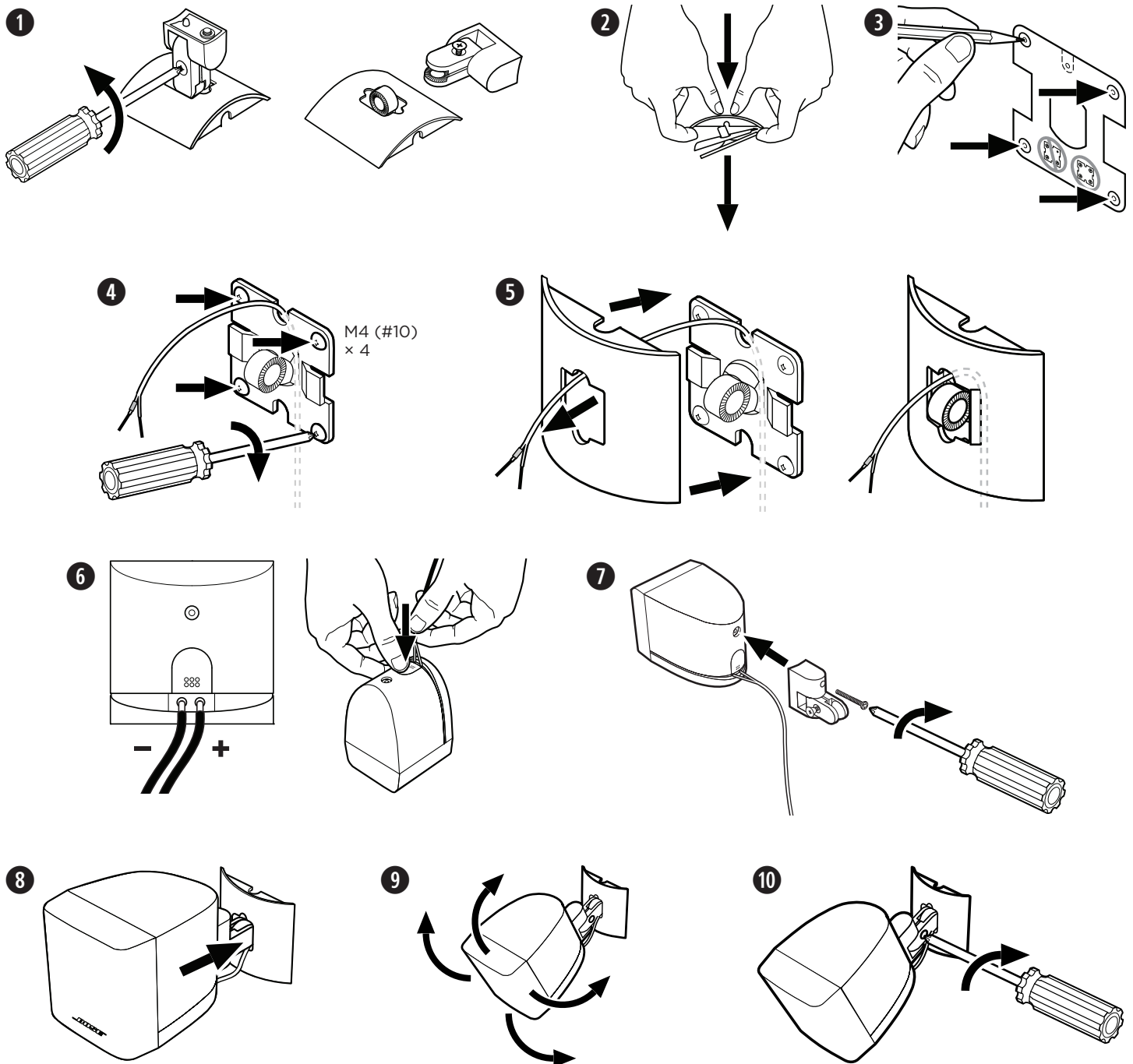
ADVARSEL: Hvis skruene strammes for mye, kan dette forårsake skade på ankerfestepunktet eller taket, og at høyttaleren faller ned.

4. Bruk begge hendene når du plasserer grillen mot høyttaleren. Skyv grillen forsiktig mot høyttaleren for å feste den.



Overflatemonterte satellitter

1. Løsne skruen som fester høyttalerarmen til veggmonteringsbraketten, og ta de to delene fra hverandre.
2. Skill bakplaten fra dekselet på veggmonteringsbraketten.
3. Bruk malen til å merke midten av alle de fire skruehullene på veggen.
4. Sett inn fire M4-skruer (#10) for å feste veggmonteringsbrakettplaten til veggen. Kontroller at punktet der høyttalerledningen kommer ut av veggen, er på linje med et hakk på platen.
5. Fest veggmonteringsbrakettdekselet på platen igjen, og før høyttalerkabelen gjennom det midtre hullet på veggbrakettdekslet.
6. Koble kabelen til høyttaleren. Hvis du vil ha mer informasjon om kabling, kan du se **Kable høyttaleren** (side 60).
7. Bruk den medfølgende skruen til å feste høyttalerarmen til den gjengede innsatsen på bakpanelet på høyttaleren.
8. Plasser høyttalerarmen på veggmonteringsbraketten ved å justere de to delene av den roterende koblingen (som du separerte i trinn 1).
9. Juster de vertikale og horisontale vinklene på høyttaleren etter behov.
10. Sett inn skruen (som du fjernet i trinn 1) i den roterende koblingen. Trekk til skruen for å feste høyttaleren til veggmonteringsbraketten i ønsket vinkel.



Należy zapoznać się ze wszystkimi zaleceniami dotyczącymi bezpieczeństwa oraz instrukcjami użytkowania i zachować je.

Instalację niniejszego produktu może przeprowadzić wyłącznie specjalista! Niniejszy dokument ma na celu dostarczenie profesjonalnym instalatorom podstawowych wskazówek dotyczących instalacji i bezpieczeństwa tego produktu w typowych, stałych instalacjach. Przed przystąpieniem do instalacji należy zapoznać się z niniejszym dokumentem i wszystkimi ostrzeżeniami dotyczącymi bezpieczeństwa.

Nie wolno serwisować urządzenia samodzielnie. Wszystkie czynności serwisowe muszą być wykonywane przez pracowników autoryzowanych centrów serwisowych, autoryzowanych instalatorów, techników, sprzedawców lub dystrybutorów. Aby skontaktować się z firmą Bose Professional, ze sprzedawcą bądź dystrybutorem w okolicy, odwiedź stronę **PRO.BOSE.COM**.

1. Należy przeczytać instrukcje.
2. Należy zachować instrukcje.
3. Należy stosować się do wszystkich ostrzeżeń.
4. Należy postępować zgodnie z instrukcjami.
5. Nie należy korzystać z tego urządzenia w pobliżu wody.
6. Urządzenie należy czyścić wyłącznie przy użyciu suchej ściereczki.
7. Nie wolno blokować otworów wentylacyjnych. Urządzenie należy zainstalować zgodnie z zaleceniami producenta.
8. Nie wolno instalować urządzenia w pobliżu źródeł ciepła, takich jak kaloryfery, przewody kominowe, piece lub inne urządzenia wydzielające ciepło (np. wzmacniacze).
9. Należy korzystać wyłącznie z dodatków i akcesoriów zalecanych przez producenta.

OSTRZEŻENIA/PRZESTROGI

Produkt zawiera elementy magnetyczne. Aby dowiedzieć się, czy mogą one mieć wpływ na funkcjonowanie implantów medycznych, należy skonsultować się z lekarzem.

- Wszystkie produkty Bose muszą być instalowane zgodnie z przepisami lokalnymi, krajowymi, federalnymi i branżowymi. Instalator jest zobowiązany zainstalować głośniki i system montażowy zgodnie ze wszystkimi obowiązującymi regulaminami, w tym regulaminami i przepisami obowiązującymi w budynku. Przed instalacją produktu należy skonsultować się z odpowiednimi władzami.
- Niebezpieczny montaż lub podwieszenie ciężkiego ładunku może spowodować poważne obrażenia lub śmierć oraz uszkodzenie mienia. Do obowiązków instalatora należy ocena niezawodności każdej metody montażu stosowanej w tym przypadku. Montaż podwieszanych głośników może być przeprowadzany wyłącznie przez profesjonalnych instalatorów posiadających wiedzę o odpowiednim sprzęcie i bezpiecznych technikach montażu.
- Nie wolno montować produktu w miejscach, w których może być ono narażone na kontakt z wodą lub ze skropliną parą wodną.
- Niniejszy produkt nie jest przeznaczony do instalacji ani stosowania w pomieszczeniach mających stały kontakt z wodą (w tym m.in. basenach wewnętrznych, parkach wodnych, pomieszczeniach z jacuzzi, saunach, łaźniach parowych i lodowiskach).
- Nie montować uchwytu na powierzchniach niewystarczająco solidnych lub stwarzających zagrożenia związane na przykład z instalacją elektryczną lub hydrauliczną. W przypadku wątpliwości związanych z montażem uchwytu skontaktować się z wykwalifikowanym instalatorem.
- Należy używać wyłącznie sprzętu i akcesoriów dostarczonych lub wskazanych przez firmę Bose. Elementy mocujące wspornik do powierzchni montażowej nie są dołączone do zestawu. Informacje na temat zgodnych akcesoriów można znaleźć w arkuszu danych technicznych produktu pod adresem **PRO.BOSE.COM**.
- Produktu nie wolno umieszczać w pobliżu źródeł ciepła, takich jak kominiki, grzejniki, kaloryfery lub inne urządzenia wytwarzające ciepło (w tym wzmacniacze).
- Produkt musi być umieszczony z dala od ognia i źródeł ciepła. Na urządzeniu lub w jego pobliżu nie należy umieszczać źródeł otwartego ognia, np. zapalonych świec.
- Nie wolno dokonywać modyfikacji produktu bez zezwolenia.
- Nie wolno narażać głośnika lub elementów montażowych na działanie substancji chemicznych, które nie zostały dozwolone przez firmę Bose, w tym m.in. środków smarnych i czyszczących, środków do ochrony instalacji elektrycznych oraz innych rozpuszczalników na bazie węglowodorów. Narażenie na działanie takich substancji może prowadzić do degradacji materiałów plastikowych, a w rezultacie do pęknięcia i stworzenia zagrożenia upadkiem.
- Głośniki należy czyścić wyłącznie suchą szmatką. Nie należy wystawiać głośnika na działanie mydła, detergentów, oleju mineralnego, alkoholu ani innych środków czyszczących lub chemikaliów.

Klasyfikacja produktu

	Napięcie wejściowe	Impedancja	Prąd/moc
Moduł basowy Acoustimass series II	70 V / 100 V	6 Ω mono direct, z obejściem transformatora	25 W, 50 W, 100 W, 200 W
Satelity do montażu podtynkowego	Nie dotyczy	6 Ω	Nie dotyczy
Satelity do montażu powierzchniowego	Nie dotyczy	6 Ω na kanał (system z 4 satelitami); 5 Ω na kanał (system z 2 satelitami)	Nie dotyczy

Informacje prawne

CE Ten produkt jest zgodny ze wszystkimi obowiązującymi wymaganiami dyrektywy UE. Pełna treść Deklaracji zgodności jest dostępna w witrynie: www.Bose.com/compliance.

UK CA Ten produkt jest zgodny ze wszystkimi obowiązującymi wymaganiami dokumentu Electromagnetic Compatibility Regulations 2016 oraz wszelkimi innymi przepisami obowiązującymi w Wielkiej Brytanii. Deklaracja zgodności jest dostępna w następującej witrynie internetowej: www.Bose.com/compliance

Ten symbol oznacza, że produktu nie należy wyrzucać razem z innymi odpadkami z gospodarstwa domowego. Produkt należy dostarczyć do odpowiedniego miejsca zbiórki w celu recyklingu. Właściwy sposób utylizacji i recyklingu pomaga chronić zasoby naturalne, ludzkie zdrowie i środowisko naturalne. Aby uzyskać więcej informacji na temat utylizacji i recyklingu tego produktu, skontaktuj się z samorządem lokalnym, w zakładzie utylizacji odpadów albo w sklepie, w którym produkt został nabyty.

Tabela substancji szkodliwych (ograniczenia obowiązujące w Chinach)

Nazwy i zawartość toksycznych lub szkodliwych substancji albo pierwiastków						
Nazwa części	Toksyczne lub szkodliwe substancje albo pierwiastki					
	Ołów (Pb)	Rtęć (Hg)	Kadm (Cd)	Chrom sześciowartościowy (Cr(VI))	Polibromowany bifenyl (PBB)	Polibromowany difenyleter (PBDE)
Polichlorowane bifenyle (PCB)	X	0	0	0	0	0
Części metalowe	X	0	0	0	0	0
Części z tworzyw sztucznych	0	0	0	0	0	0
Głośniki	X	0	0	0	0	0
Przewody	X	0	0	0	0	0

Tę tabelę przygotowano zgodnie z wymaganiami normy SJ/T 11364.

O: oznacza, że zawartość danej substancji toksycznej lub szkodliwej we wszystkich materiałach jednorodnych, użytych w tej części, nie przekracza limitu określonego w normie GB/T 26572.

X: oznacza, że dana substancja toksyczna lub szkodliwa zawarta w co najmniej jednym z jednorodnych materiałów użytych w tej części przekracza limit określony w normie GB/T 26572.

Tabela substancji szkodliwych (ograniczenia obowiązujące na Tajwanie)

Nazwa urządzenia:	Oznaczenie typu:
Moduł basowy Acoustimass głośnika FreeSpace 3 series II	040147, 040148
FreeSpace 3 – satelity montowane podtynkowo	040150, 040149
FreeSpace 3 – satelity montowane powierzchniowo	040144, 040143

Substancje objęte ograniczeniami wraz z symbolami chemicznymi						
Jednostka	Ołów (Pb)	Rtęć (Hg)	Kadm (Cd)	Chrom sześciowartościowy (Cr+6)	Polibromowany bifenyl (PBB)	Polibromowany difenyleter (PBDE)
Polichlorowane bifenyle (PCB)	-	o	o	o	o	o
Części metalowe	-	o	o	o	o	o
Części z tworzyw sztucznych	o	o	o	o	o	o
Głośniki	-	o	o	o	o	o
Przewody	-	o	o	o	o	o

Uwaga 1: symbol „o” oznacza, że zawartość procentowa substancji objętej ograniczeniem nie przekracza wartości referencyjnej.

Uwaga 2: symbol „-” oznacza, że do substancji objętej ograniczeniem zastosowanie ma wyłączenie.

Data produkcji: Ósma cyfra numeru seryjnego oznacza rok produkcji, np. cyfra „7” oznacza rok 2007 lub 2017.

Importer – Chiny: Bose Electronics (Shanghai) Company Limited, Level 6, Tower D, No. 2337 Gudai Rd. Minhang District, Shanghai 201100

Importer – Wielka Brytania: Bose Limited, Bose House, Quayside Chatham Maritime, Chatham, Kent, ME4 4QZ, United Kingdom

Importer na terenie UE: Bose Products B.V., Gorslaan 60, 1441 RG Purmerend, Holandia
Importer na terenie Meksyku: Bose de México, S. de R.L. de C.V., Paseo de las Palmas 405-204, Lomas de Chapultepec, 11000 México, D.F. W celu uzyskania informacji o importerze i usługach: +5255 (5202) 3545

Importer na terenie Tajwanu: Bose Taiwan Branch, 9F-A1, No.10, Section 3, Minsheng East Road, Taipei City 104, Taiwan. Numer telefonu: +886-2-2514 7676

Siedziba główna firmy Bose Corporation: 1-877-230-5639

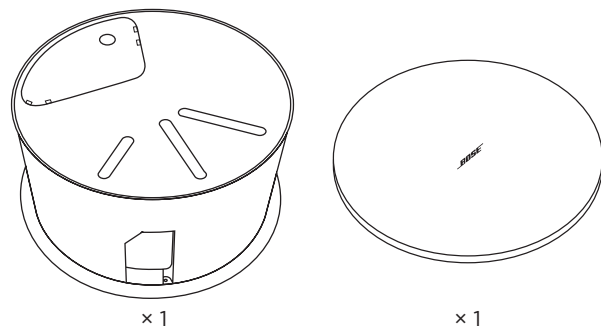
Bose, Acoustimass, DesignMax, FreeSpace i Panaray są znakami towarowymi firmy Bose Corporation. © 2022 Bose Corporation. Żadnej części tego dzieła nie wolno reprodukcować, modyfikować, rozpowszechniać ani w inny sposób wykorzystywać bez uprzedniego uzyskania pisemnego pozwolenia.

Informacje o gwarancji

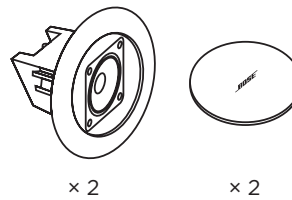
Opisywany produkt objęty jest ograniczoną gwarancją. Szczegółowe informacje na temat gwarancji można znaleźć na stronie **PRO.BOSE.COM**.

Zawartość opakowania

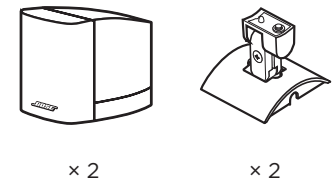
Moduł basowy Acoustimass series II



Satelity do montażu podtynkowego

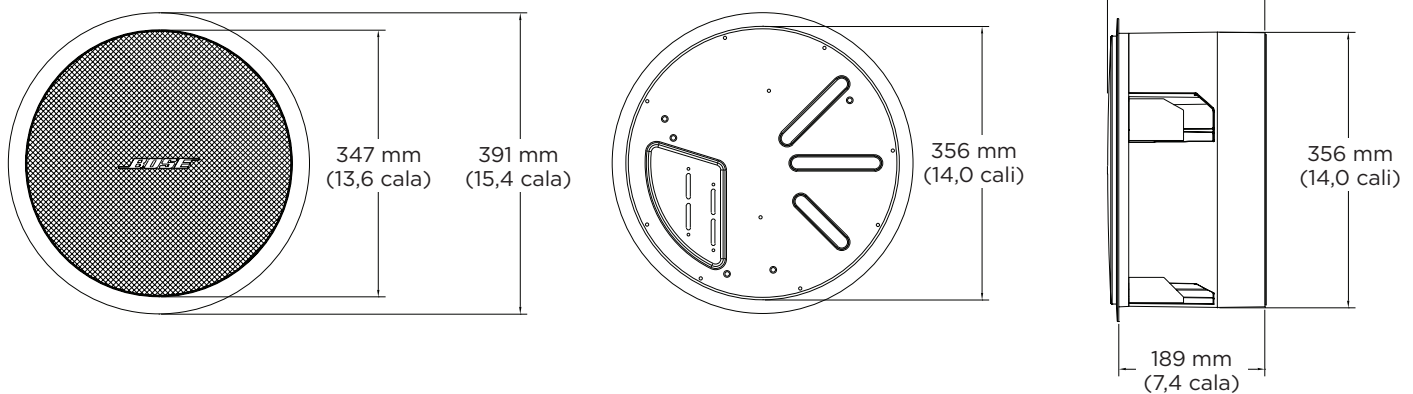


Satelity do montażu powierzchniowego

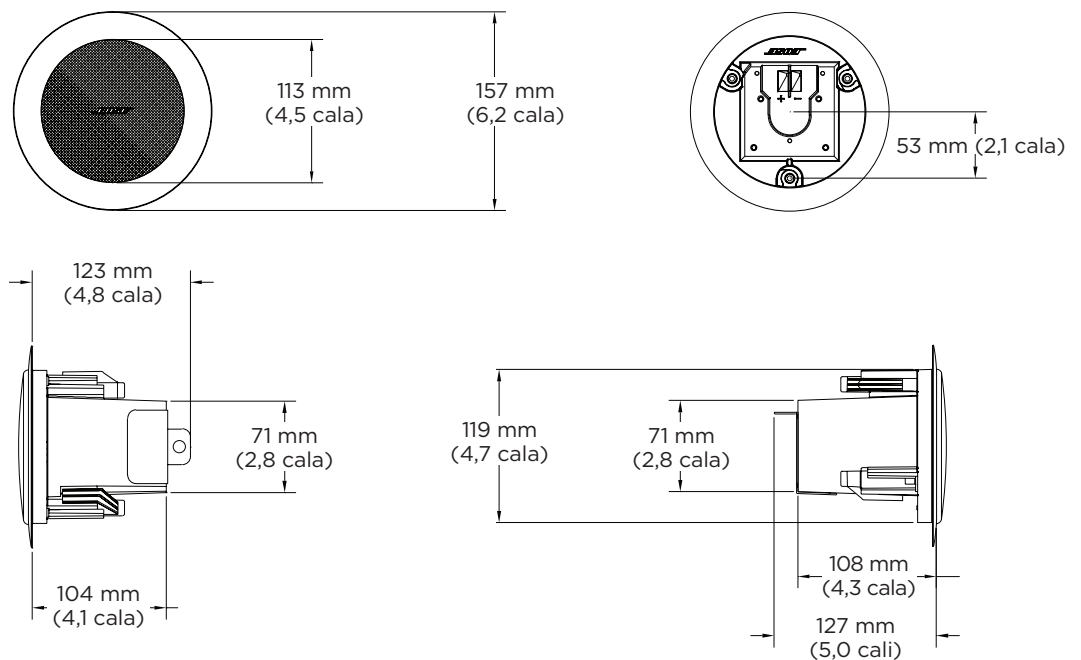


Wymiary produktu

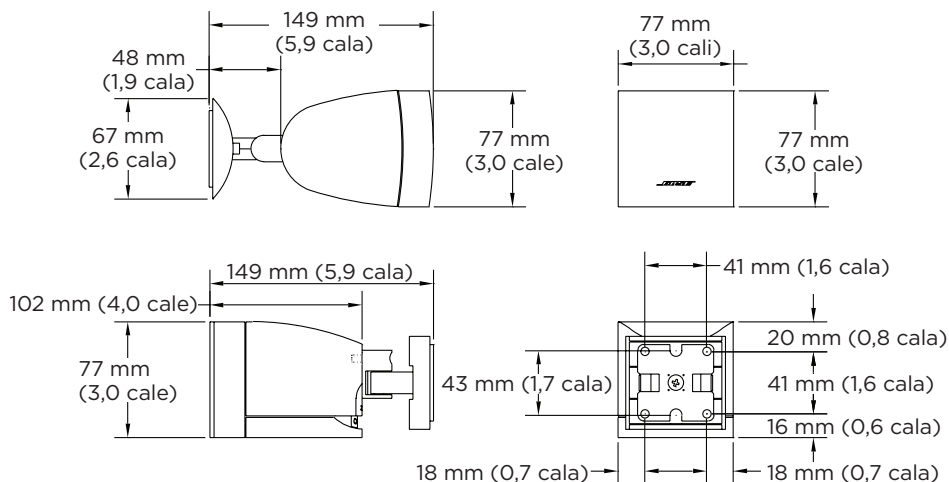
Moduł basowy Acoustimass series II



Satelity do montażu podtynkowego



Satelity do montażu powierzchniowego



Dane techniczne

Dodatkowe dane techniczne, instrukcje i informacje techniczne na temat dowolnego głośnika FreeSpace można znaleźć na stronie bossepro.link/freespace.

	Moduł basowy Acoustimass series II	Satelity do montażu podtynkowego	Satelity do montażu powierzchniowego
Wymiary produktu			
Wysokość × szerokość	391 mm (15,4 cala) (średnica kołnierza zewnętrznego)	157 mm (6,2 cala) (średnica kołnierza zewnętrznego)	77 × 77 mm (3,0 × 3,0 cala)
Głębokość	190 mm (7,5 cala)	123 mm (4,8 cala)	Bez wspornika: 102 mm (4,0 cala) Ze wspornikiem: 149 mm (5,9 cala)
Wymiary sufitu			
Średnica otworu	362 mm (14,3 cala)	127 mm (5,0 cali)	Nie dotyczy
Maksymalna grubość	48 mm (1,8 cala)	38 mm (1,5 cala)	Nie dotyczy
Waga			
Netto	6,4 kg (14,0 funtów)	0,9 kg (1,9 funta)	0,8 kg (1,8 funta)
Wysyłka	9,1 kg (20,0 funtów)	2,3 kg (5,0 funtów)	1,8 kg (4,0 funty)

Informacje dotyczące bezpieczeństwa i zgodności

Moduł Acoustimass Bose FreeSpace-3 series II oraz satelity do montażu podtynkowego są zgodne z normami bezpieczeństwa UL jako:

Głośniki do ogólnego zastosowania według UL1480, kategoria UL UEAY, numer pliku S 5591

Produkt nadający się do użytku wewnątrz budynków o dużej wilgotności.

Głośniki nadające się do instalacji przy użyciu okablowania klasy 1, 2 lub 3 zgodnie z normą NFPA 70, National Electric Code, 2002, art. 640

Nadają się do użytku w przestrzeniach wentylacyjnych (plenum), jeśli są używane wraz z akcesoriami PC-FS3B i PC-FS3F:

UL-2043, Test pożarowy i widzialne uwalnianie dymu dla produktów dyskretnych i ich akcesoriów zainstalowanych w przestrzeniach wentylacyjnych

NFPA -70, National Electric Code, 2002, art. 300.22(C)

NFPA 90A, 2002, Instalacja systemów klimatyzacji i wentylacji, paragraf 4.3.10.2.6.5

Opisane w tej instrukcji satelity do montażu powierzchniowego Bose FreeSpace 3 nie są zgodne z normami UL.



Ważne informacje dotyczące instalacji



Instalator jest zobowiązany zainstalować głośniki i system montażowy zgodnie ze wszystkimi obowiązującymi regulaminami, w tym regulaminami i przepisami obowiązującymi w budynku. Przed instalacją produktu należy skonsultować się z odpowiednimi władzami.

Odpowiedzialność za bezpieczeństwo instalacji głośników spoczywa na instalatorze. Nieprawidłowe zamontowanie głośnika może spowodować uszkodzenie urządzenia, obrażenia ciała lub śmierć.

Nie wolno montować produktu w miejscach, w których może być ono narażone na kontakt z wodą lub ze skroploną parą wodną.

Niniejszy produkt nie jest przeznaczony do instalacji ani stosowania w pomieszczeniach mających stały kontakt z wodą (w tym m.in. basenach wewnętrznych, parkach wodnych, pomieszczeniach z jacuzzi, saunach, łaźniach parowych i lodowiskach).

Nie wolno blokować otworów wentylacyjnych. Urządzenie należy zainstalować zgodnie z zaleceniami producenta.

Nie wolno instalować urządzenia w pobliżu źródeł ciepła, takich jak kaloryfery, przewody kominowe, piece lub inne urządzenia wydzielające ciepło (np. wzmacniacze). Produkt musi być umieszczony z dala od ognia i źródeł ciepła. Na urządzeniu lub w jego pobliżu nie należy umieszczać źródeł otwartego ognia, np. zapalonych świec.

Nie montować uchwyty na powierzchniach niewystarczająco solidnych lub stwarzających zagrożenia związane na przykład z instalacją elektryczną lub hydrauliczną. W przypadku wątpliwości związanych z montażem uchwyty skontaktować się z wykwalifikowanym instalatorem. Upewnić się, że uchwyt został zamontowany zgodnie z lokalnymi przepisami budowlanymi.

Elementy mocujące głośnik do powierzchni montażowej nie są dołączone do zestawu. Przed zainstalowaniem głośnika należy skonsultować się ze specjalistą budowlanym w celu uzyskania informacji na temat odpowiednich elementów montażowych.

Nie wolno narażać głośnika lub elementów montażowych na działanie substancji chemicznych, które nie zostały dozwolone przez firmę Bose, w tym m.in. środków smarnych i czyszczących, środków do ochrony instalacji elektrycznych oraz innych rozpuszczalników na bazie węglowodorów. Narażenie na działanie takich substancji może prowadzić do degradacji materiałów plastikowych, a w rezultacie do pęknięcia i stworzenia zagrożenia upadkiem.

Opcje montażu

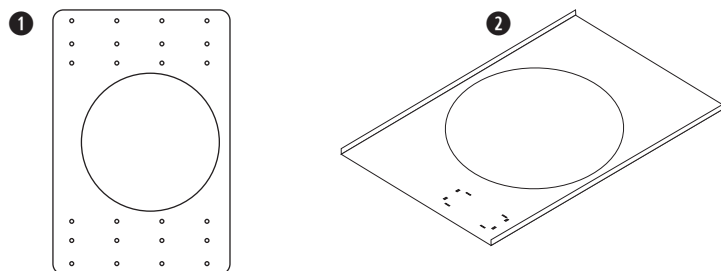
Moduł basowy Acoustimass series II

Wymagane

- 1 Podkładka montażowa do głośnika niskotonowego FreeSpace 3BF lub
- 2 Mostek płytkowy do głośnika niskotonowego FreeSpace 3BF

Opcjonalnie

- 3 Zestaw do montażu podwieszanego głośnika niskotonowego FreeSpace 3BF
- 4 Zestaw do montażu powierzchniowego głośnika niskotonowego FreeSpace 3BF
- 5 Nakładka na głośnik niskotonowy FreeSpace 3BF
- 6 Zestaw do montażu podwieszanego FreeSpace (wielokierunkowy)



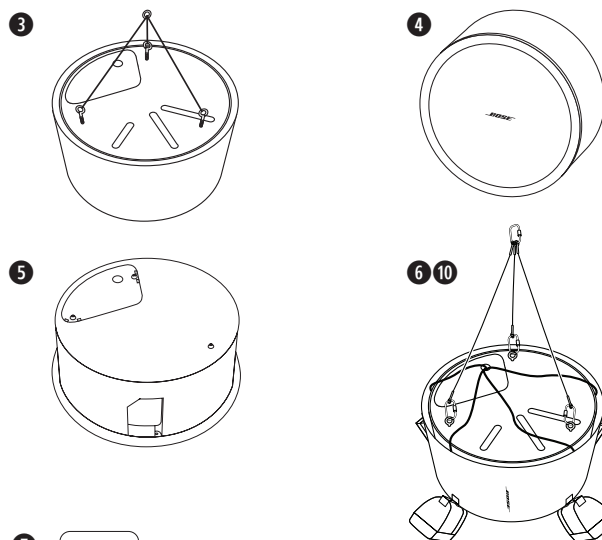
Satelity do montażu podtylnkowego

Wymagane

- 7 Podkładka montażowa do satelity FreeSpace 3F lub
- 8 Mostek płytkowy do satelity FreeSpace 3F

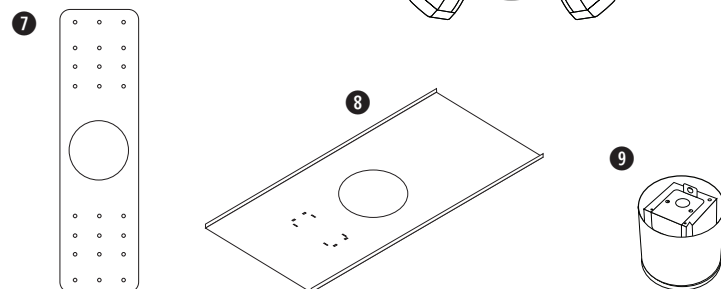
Opcjonalnie

- 9 Osłonki do satelity FreeSpace 3F



Satelity do montażu powierzchniowego

- 10 Zestaw do montażu podwieszanego FreeSpace (wielokierunkowy)



Okablowanie głośników

Grubość przewodu

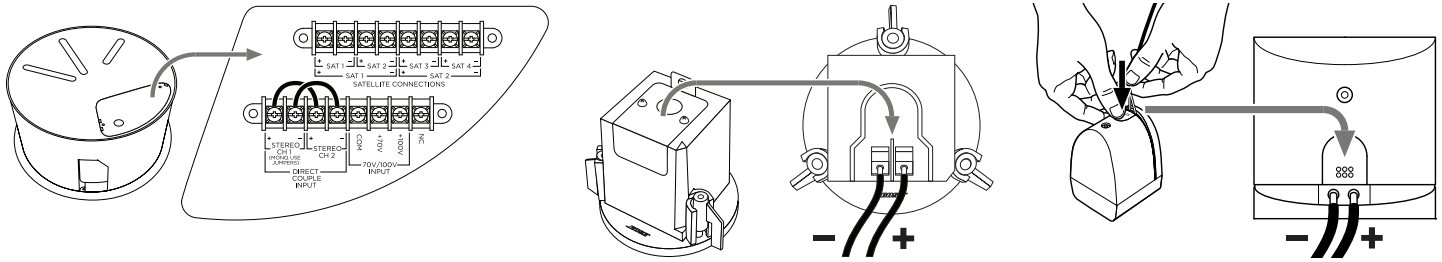
Do montażu głośnika FreeSpace 3 należy stosować wyłącznie przewody o rozmiarze od 18 AWG (0,8 mm²) do 14 AWG (2,1 mm²).

Przyłącza przewodów

Moduł basowy Acoustimass series II: Zdjąć tylną pokrywę, aby uzyskać dostęp do przyłączy przewodów. Po wykonaniu wszystkich połączeń ponownie zamontować tylną pokrywę.

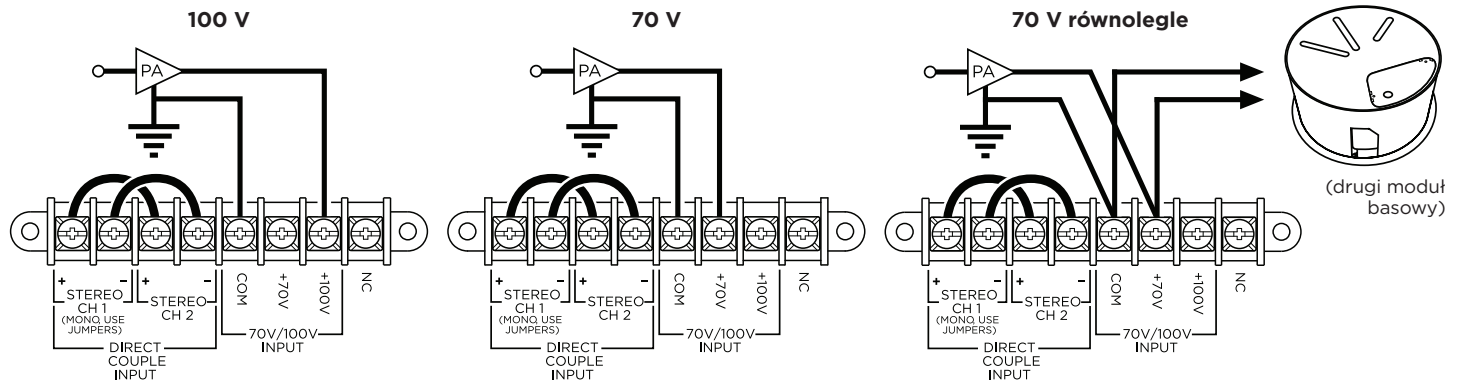
Satelity do montażu podtynkowego: Zdjąć tylną pokrywę, aby uzyskać dostęp do przyłączy przewodów. Po wykonaniu wszystkich połączeń ponownie zamontować tylną pokrywę.

Satelity do montażu powierzchniowego: Nacisnąć i przytrzymać przycisk na panelu tylnym podczas wkładania przewodu, aby całkowicie wsunąć przewód.



Złącze wyjściowe wzmacniacza

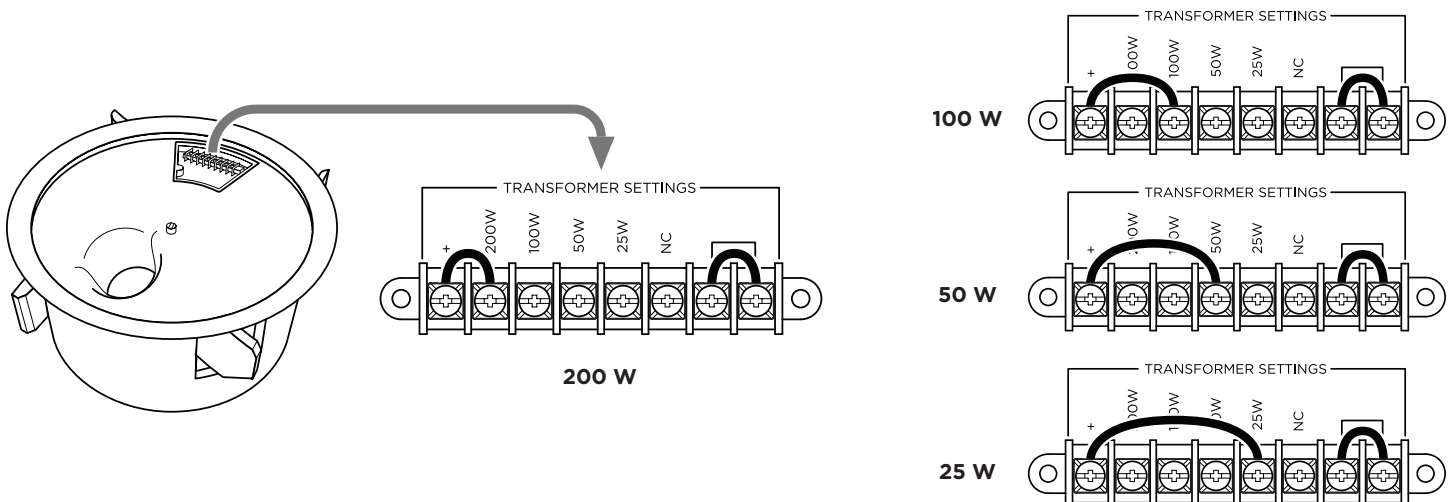
PRZESTROGA: przed podłączeniem wzmacniacza do zasilania lub jego włączeniem należy wykonać wszystkie połączenia elektryczne.



Ustawienia zaczepów transformatora

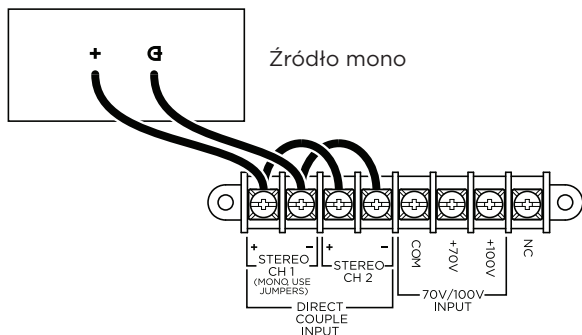
Zaczepy transformatora są fabrycznie ustawione na moc **200 W**. Aby ustawić niższą moc, odłącz koniec **+** przewodu zwiernącego podłączonego do zacisku **200 W** i ponownie podłącz go do odpowiedniego zacisku o mocy **100 W**, **50 W** lub **25 W**.

Uwaga: do zasilania 70/100 V wymagane są przewody zwiernące. W przypadku impedancji na poziomie 6 Ω (obejście transformatora/bezpośrednie), należy odłączyć oba przewody zwiernące.



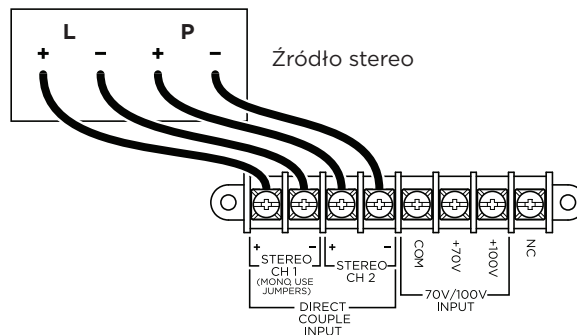
Obejście transformatora (Direct Mono)

Aby obejść transformator i przygotować głośnik do pracy przy impedancji na poziomie **4Ω** i przesyłania sygnału mono do wejścia, należy usunąć dwie zworki z ustawień transformatora z przodu głośników. Pozostaw zworki wejściowe **CH1** oraz **CH2** z tyłu głośnika w takim samym położeniu.



Obejście transformatora (Direct Stereo)

Aby pominąć transformator i przygotować głośnik do pracy przy impedancji na poziomie **6Ω** przesyłania sygnału stereo do wejścia, należy odłączyć wszystkie przewody zwierające.



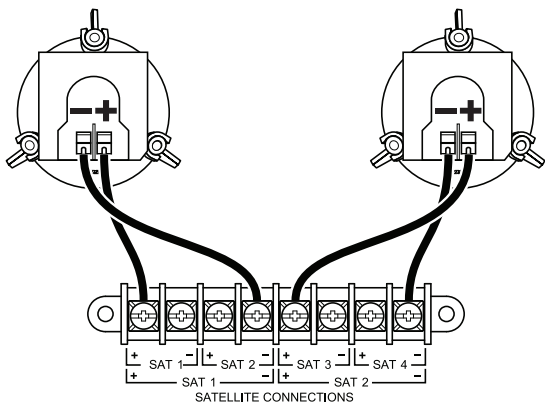
Podłączanie głośników satelitarnych

PRZESTROGA: do modułu nie należy podłączać bezpośrednio głośników innych niż głośniki satelitarne FreeSpace 3.

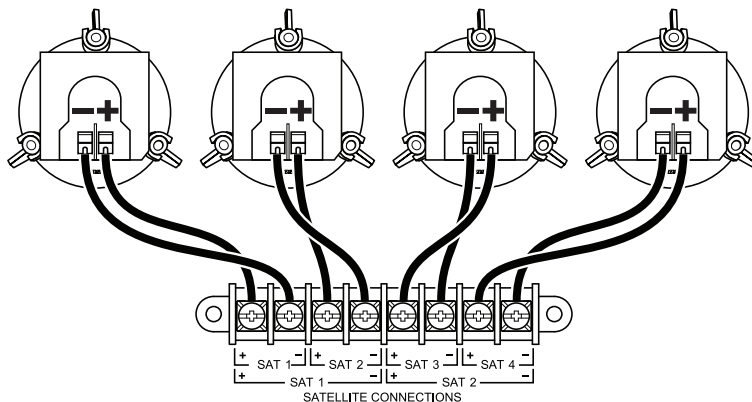
Podłącz moduł basowy Acoustimass FreeSpace 3 Series II do satelitów FreeSpace 3 do montażu podtynkowego lub powierzchniowego. (Na tej stronie pokazano moduł Acoustimass series II podłączony do satelitów do montażu podtynkowego). Satelity do montażu powierzchniowego można zastąpić dowolnym satelitami do montażu podtynkowego, jeśli tylko zostaną podłączone z zachowaniem prawidłowej polaryzacji).

Modułu Acoustimass FreeSpace 3 Series II można używać z innymi głośnikami Bose, w tym między innymi modelami FreeSpace, DesignMax i Panaray. W takim przypadku należy podłączyć zarówno głośniki, jak i moduł bezpośrednio do wzmacniacza, używając oddzielnych kanałów. Sprawdź, czy we wszystkich pozostałych głośnikach zastosowano odpowiednie filtrowanie pasmowoprzepustowe lub zalecaną kompensację (jeśli jest dostępna). Wejdź na stronę **PRO.BOSE.COM** i zapoznaj się z arkuszem danych technicznych dla każdego modelu.

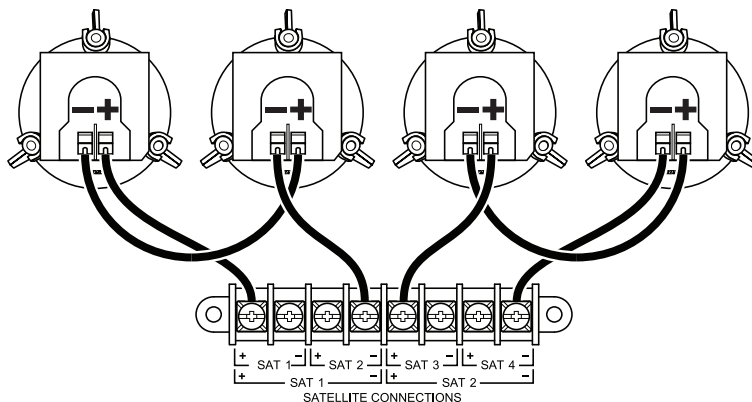
2 satelity



4 satelity



4 satelity (alternatywna, metoda szeregową)



Przygotowanie do montażu

Rozmieszczenie głośników

Uwaga: montaż w pobliżu powierzchni służących do gotowania, gdzie głośnik może być bezpośrednio wystawiony na działanie olejów, pary lub wysokiej temperatury, np. w komercyjnych punktach przygotowywania posiłków, może obniżyć wydajność lub niezawodność głośnika.

Korzystanie z kabla zabezpieczającego

Niektóre regionalne przepisy budowlane wymagają zastosowania dodatkowej metody zabezpieczania głośników w celu zapewnienia dodatkowego bezpieczeństwa. Pozycja, sposób i elementy montażu muszą być zgodne z lokalnymi normami i przepisami budowlanymi. Firma Bose zaleca stosowanie przewodu zabezpieczającego lub kabla zabezpieczającego jako dodatkowego mechanizmu zabezpieczającego modułu basowego Acoustimass series II i satelitów do montażu podtynkowego. Należy przestrzegać instrukcji producenta dotyczących dodatkowego mechanizmu zabezpieczającego.

Każdy model głośnika ma co najmniej jeden możliwy punkt mocowania:

Moduł basowy Acoustimass series II Wykręcić śrubę M6 z tylnej pokrywy i zamocować kabel zabezpieczający do tego otworu.

Satelity do montażu podtynkowego Przymocować kabel zabezpieczający do otworu w metalowej płytce na tylnej pokrywie.

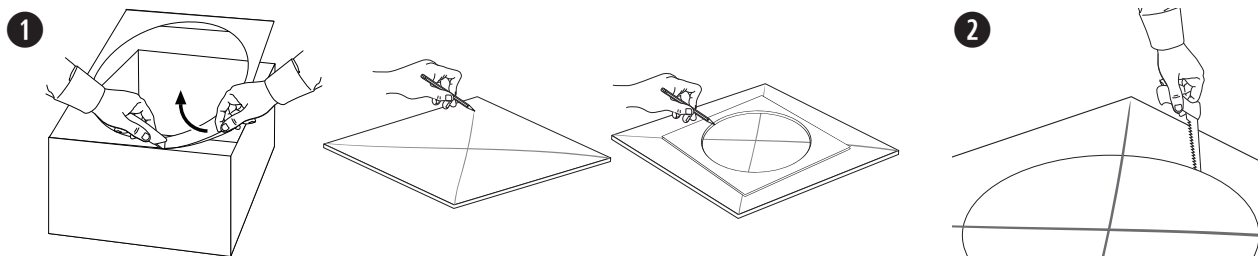
Przygotowanie sufitu i akcesoriów

Przed montażem modułu basowego lub głośników satelitarnych należy postępować zgodnie z instrukcjami, aby przygotować sufit i wszystkie akcesoria, które będą używane podczas montażu. W sekcji **Opcje montażu** (strona 68) znajduje się lista wymaganych oraz opcjonalnych akcesoriów dla każdego modelu głośnika.

Przygotowanie akustycznej płytki sufitowej

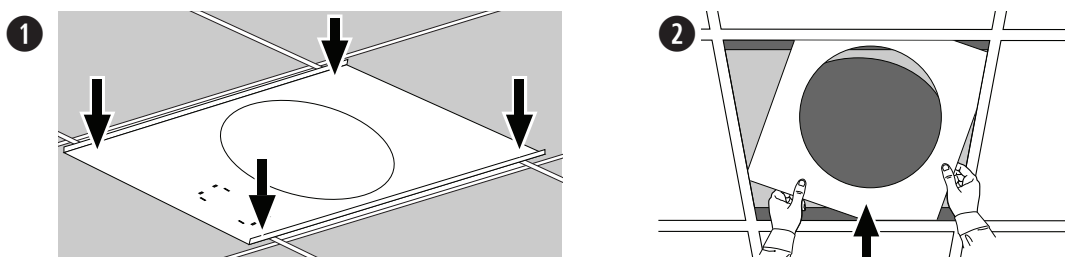
Przycinanie płytki sufitowej

1. Usunąć płytkę i użyć szablonu do zaznaczenia otworu głośnika na płytce. Aby wyśrodkować szablon na płytce, narysować znak **X**, łącząc narożniki po przekątnej i wyśrodkować szablon, używając punktu przecięcia.
2. Wyciąć otwór w płytce.



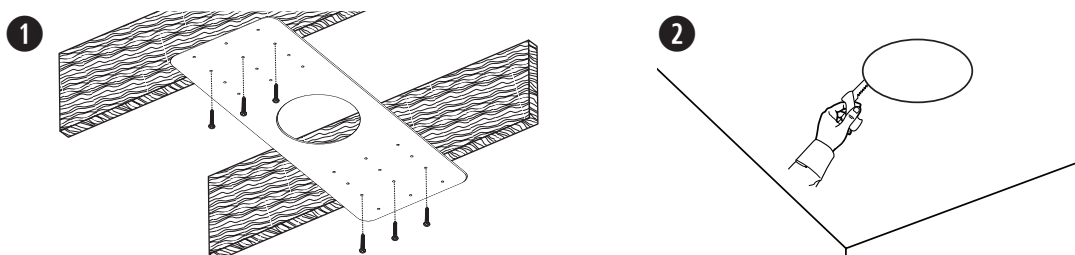
Montaż mostka płytkowego

1. Umieścić mostek płytkowy w poprzek kratki sufitowej. W razie potrzeby wyregulować położenie mostka, tak aby szyny spoczywały na kratce sufitowej.
2. Zamontować płytkę w suficie.



Przygotowanie sufitu twardego do montażu z wykorzystaniem podkładki montażowej (nowa konstrukcja)

1. Przymocować podkładkę montażową do profili sufitowych lub kołków drewnianych. W podkładce montażowej nawiercono wstępnie wiele otworów umożliwiających umieszczenie kołków i głośników w różnych miejscach.
2. Po przygotowaniu sufitu wyciąć otwór w suficie, korzystając z otworów w podkładce jako punktów odniesienia.



Montaż głośnika

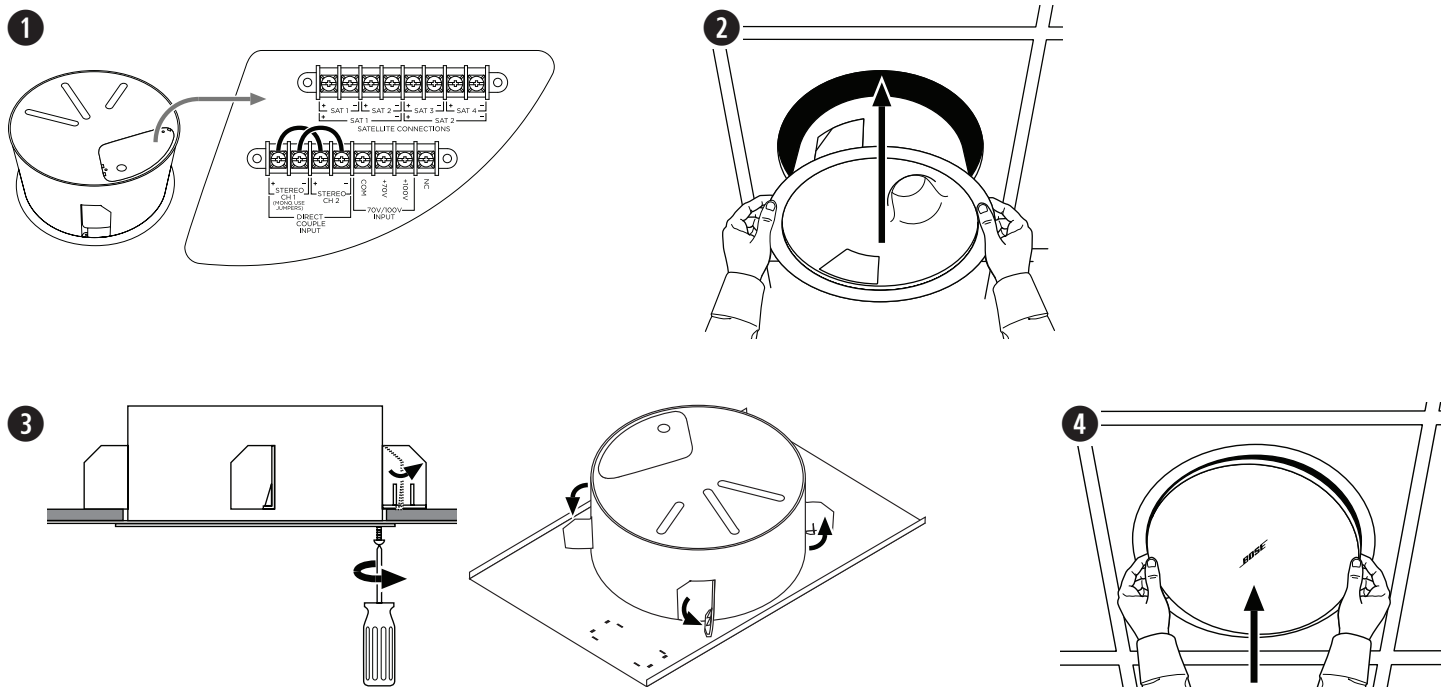
Moduł basowy Acoustimass series II

1. Sprawdzić, czy wszystkie przewody głośników są podłączone. Informacje na temat okablowania można znaleźć w sekcji **Podłączenie okablowania do głośnika** na stronie 69.
2. Wsunąć głośnik przez otwór i do mostka płytkowego lub podkładki montażowej. Przytrzymać głośnik na miejscu.
3. Dokręcić śruby ramienia kotwiącego, aby zamocować głośnik. W przypadku używania wiertarki udarowej należy ustawić niski moment obrotowy. Przed poluzowaniem uchwytu na głośniku należy upewnić się, że wszystkie śruby są dokręcone.



OSTRZEŻENIE: zbyt mocne dokręcenie śrub może spowodować uszkodzenie punktu mocowania zaczepu lub sufitu, co może prowadzić do zagrożenia upadkiem.

4. Obrócić i nałożyć osłonę na głośnik. Delikatnie docisnąć osłonę do głośnika, aby ją zamocować. Logo można obrócić, gdy osłona jest zamocowana.



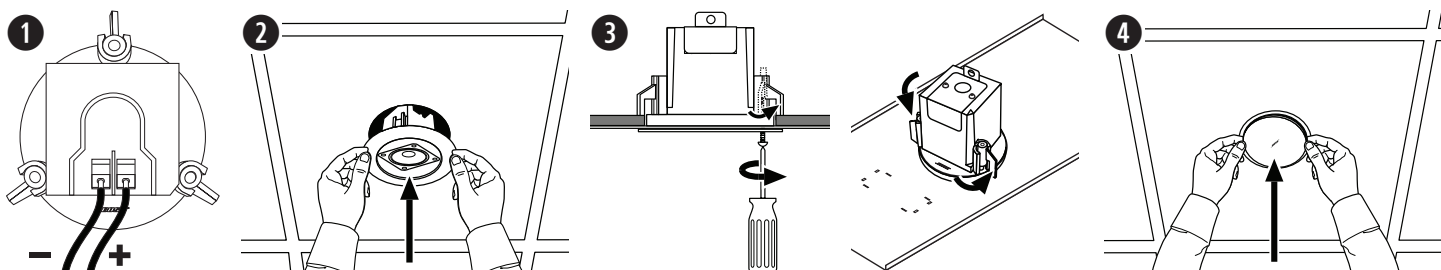
Satelity do montażu podtynkowego

1. Sprawdzić, czy wszystkie przewody głośników są podłączone. Informacje na temat okablowania można znaleźć w sekcji **Podłączenie okablowania do głośnika** na stronie 69.
2. Wsunąć głośnik przez otwór i do mostka płytkowego lub podkładki montażowej. Przytrzymać głośnik na miejscu.
3. Dokręcić śruby ramienia kotwiącego, aby zamocować głośnik. W przypadku używania wiertarki udarowej należy ustawić niski moment obrotowy. Przed poluzowaniem uchwytu na głośniku należy upewnić się, że wszystkie śruby są dokręcone.



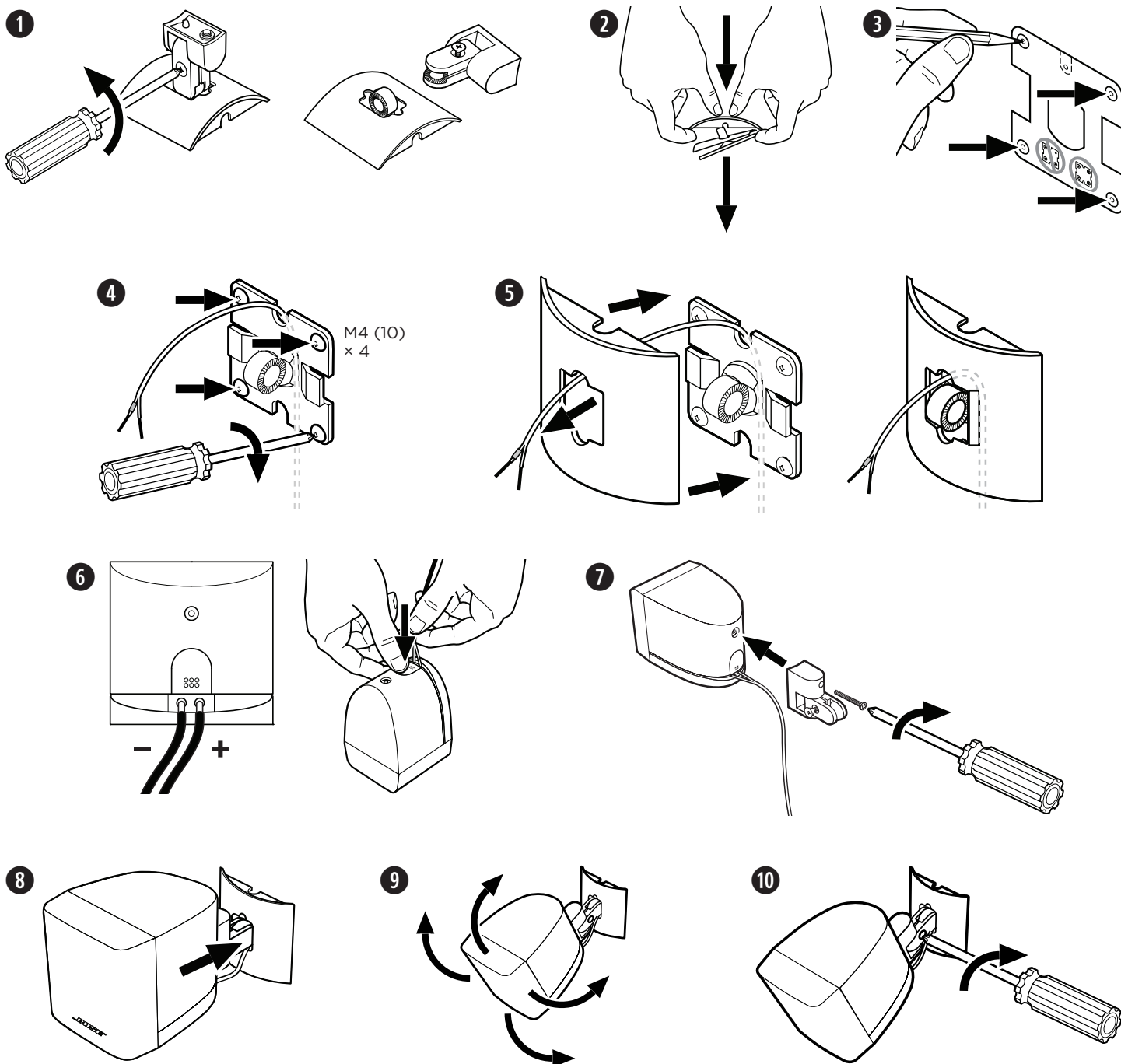
OSTRZEŻENIE: zbyt mocne dokręcenie śrub może spowodować uszkodzenie punktu mocowania zaczepu lub sufitu, co może prowadzić do zagrożenia upadkiem.

4. Obrócić i nałożyć osłonę na głośnik. Delikatnie docisnąć osłonę do głośnika, aby ją zamocować.



Satelity do montażu powierzchniowego

1. Poluzować śrubę łączącą ramię głośnika ze wspornikiem do montażu ściennego i rozdzielić dwie części.
2. Oddzielić tylną płytę od osłony wspornika do montażu ściennego.
3. Użyć szablonu do zaznaczenia środka wszystkich czterech otworów na śruby w ścianie.
4. Włożyć cztery śruby M4 (10), aby przymocować wspornik do montażu ściennego. Upewnić się, że miejsce, w którym przewód głośnika wychodzi ze ściany, jest wyrównane z nacięciem na płycie.
5. Ponownie przymocować osłonę wspornika do montażu ściennego do płyty, prowadząc przewód głośnikowy przez środkowy otwór w osłonie wspornika do montażu ściennego.
6. Podłączyć przewód do głośnika. Informacje na temat okablowania można znaleźć w sekcji **Podłączanie okablowania do głośnika** na stronie 69.
7. Za pomocą dołączonej śruby przymocować ramię głośnika do gwintowanej wkładki na tylnym panelu głośnika.
8. Umieścić ramię głośnika na wsporniku do montażu ściennego, wyrównując obie części połączenia obrotowego (które zostały oddzielone w Kroku 1).
9. Ustawić kąt głośnika w pionie i w poziomie zgodnie z własnymi wymaganiami.
10. Włożyć śrubę (wykręconą w kroku 1) do połączenia obrotowego. Dokręcić śrubę, aby zamocować głośnik do wspornika do montażu ściennego pod żądanym kątem.

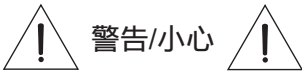


请阅读并保留所有安全和使用说明。

本产品仅适合由专业安装人员安装！本文档旨在为专业安装人员提供在典型的固定安装系统中安装本产品时适用的基本安装和安全指南。请先阅读本文档和所有安全警告，再尝试安装。

请勿尝试自行维修此产品。所有维修服务必须由授权服务中心、安装人员、技术人员、经销商或分销商提供。要联系 Bose Professional 或查找您附近的经销商或分销商，请访问 PRO.BOSE.COM。

1. 请阅读这些说明。
2. 请保留这些说明。
3. 请注意所有警告。
4. 请遵守所有说明。
5. 请勿在近水区域使用本设备。
6. 只能使用干布进行清洁。
7. 请勿堵塞任何通风口。请按照制造商的说明进行安装。
8. 请勿安装在靠近任何热源的位置，例如暖气片、热调节装置、火炉或可产生热量的其他设备（包括功放）。
9. 只能使用制造商指定的附件/配件。



警告/小心

本产品含有磁性材料。有关这是否会影响到您的植入式医疗器械，请咨询您的医生。

- 所有 Bose 产品的安装都必须遵守当地、州、联邦和行业规范。安装人员有责任确保扬声器和安装系统的安装都符合适用的法规，包括当地的建筑法规和规定。安装本产品前，请咨询拥有司法管辖权的当地监管机构。
- 以不安全的方式登高安装或吊装任何重物可能导致严重的人身伤害、死亡或财产损失。安装人员有责任评估在其应用中所使用的任何安装方法的可靠性。只有正确了解硬件且掌握安全安装方法的专业安装人员才能尝试以吊装的方式安装任何扬声器。
- 请勿将本产品安装在可能接触到水或可能发生冷凝的位置。
- 本产品不适合在室内涉水设施区域安装或使用（包括但不限于室内游泳馆、室内水上乐园、有热水浴缸的房间、桑拿房、蒸汽浴室以及室内溜冰场）。
- 请勿将本产品安装在不结实或有潜在危险的表面，比如铺有电线或管道的地方。如果您不确定如何安装支架，请联系拥有相应资质的专业安装人员。
- 只允许使用 Bose 随产品提供的或指定的硬件和附件。我们不提供用于将安装支架固定到安装表面的安装紧固件。有关兼容附件的信息，请参阅 PRO.BOSE.COM 上的产品技术参数表。
- 请勿将本产品放置或安装在任何热源旁边，比如火炉、暖气片、热调节装置或其他可产生热量的设备（包括功放）。
- 请将本产品放置到远离火源和热源的地方。请勿将明火源（如点燃的蜡烛）置于本产品上或靠近本产品。
- 未经授权切勿改装本产品。
- 请勿让扬声器或安装组件接触 Bose 未指定的任何化学物质，包括但不限于润滑剂、清洗剂、触点喷剂或其他烃类溶剂。接触此类物质可能会导致本产品的塑料材料老化，进而导致产品开裂和掉落。
- 只能使用干布清洁扬声器。请勿让扬声器接触肥皂、清洁剂、矿物油、酒精或其他清洁剂或化学品。

产品额定值

	输入电压	阻抗	电流/功率
II 型 Acoustimass 低音箱	70V/100V	6 Ω 单声道直接，旁通变压器	25W、50W、100W、200W
天花吸顶卫星扬声器	不适用	6 Ω	不适用
壁挂卫星扬声器	不适用	每个通道 6 Ω (4 卫星扬声器系统)；每个通道 5 Ω (2 卫星扬声器系统)	不适用

规范信息

CE 本产品符合所有适用的欧盟指令要求。您可以从以下网址找到完整的合规声明：www.Bose.com/compliance。

UK CA 本产品符合所有适用的 2016 电磁兼容性法规和所有其他适用的英国法规。符合声明全文载于：www.Bose.com/compliance



此符号表示不得将此产品作为生活垃圾丢弃，应将其送到合适的回收站点进行回收。正确处理 and 回收有助于保护自然资源、人类健康和环境。想要获得更多关于此产品的处理和回收的信息，请联系当地市政当局、垃圾处理服务部门或您购买此产品的商店。


中国危险物质限用表

有毒或有害物质或元素的名称及成分						
零件名称	有毒或有害物质和元素					
	铅 (Pb)	汞 (Hg)	镉 (Cd)	六价铬 (CR(VI))	多溴化联苯 (PBB)	多溴二苯醚 (PBDE)
印刷电路板	X	0	0	0	0	0
金属零件	X	0	0	0	0	0
塑料零件	0	0	0	0	0	0
扬声器	X	0	0	0	0	0
线缆	X	0	0	0	0	0

此表格依据 SJ/T 11364 的要求制定。

0: 表示此零件中所有均质材料所包含的这种有毒或有害物质均低于 GB/T 26572 标准的限定要求。

X: 表示此零件所用全部均质材料中至少有一种包含的这种有毒或有害物质高于 GB/T 26572 标准的限定要求。



中国台湾危险物质限用表

设备名称:		机型名称:	
FreeSpace 3 II 型 Acoustimass 低音箱		040147、040148	
FreeSpace 3 天花吸顶卫星扬声器		040150、040149	
FreeSpace 3 壁挂卫星扬声器		040144、040143	

限用物质及其化学符号						
单位	铅 (Pb)	汞 (Hg)	镉 (Cd)	六价铬 (Cr+6)	多溴化联苯 (PBB)	多溴二苯醚 (PBDE)
印刷电路板	-	o	o	o	o	o
金属零件	-	o	o	o	o	o
塑料零件	o	o	o	o	o	o
扬声器	-	o	o	o	o	o
线缆	-	o	o	o	o	o

注 1: “o”表示限用物质的百分比含量未超出参考值。

注 2: “-”表示限用物质符合豁免规定。

生产日期: 序列号中第八位数字表示生产年份; “7”表示 2007 年或 2017 年。

中国进口商: Bose 电子 (上海) 有限公司, 上海市闵行区顾戴路 2337 号丰树商业城塔楼 D 第 6 层 (邮编: 201100)

英国进口商: Bose Limited, Bose House, Quayside Chatham Maritime, Chatham, Kent, ME4 4QZ, United Kingdom

欧盟进口商: Bose Products B.V., Gorslaan 60, 1441 RG Purmerend, The Netherlands

墨西哥进口商: Bose de México, S. de R.L. de C.V., Paseo de las Palmas 405-204, Lomas de Chapultepec, 11000 México, D.F.如需获取进口商和服务信息, 请拨打电话: +5255 (5202) 3545

中国台湾进口商: Bose 台湾分公司, 台湾 104 台北市民生东路三段 10 号, 9F-A1. 电话: +886-2-2514 7676

Bose Corporation 总部: 1-877-230-5639

Bose、Acoustimass、DesignMax、FreeSpace 和 Panaray 是 Bose Corporation 的商标。

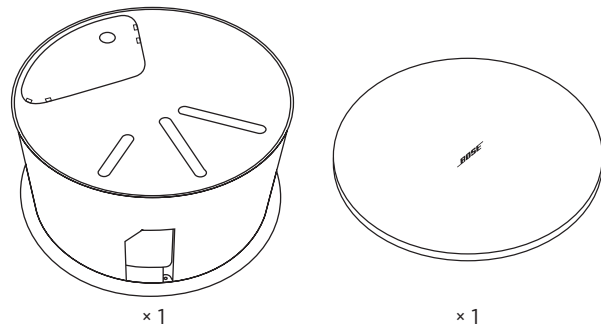
©2022 Bose Corporation. 未经事先书面许可, 不得复制、修改、分发或以其他方式使用本文档的任何部分。

质保信息

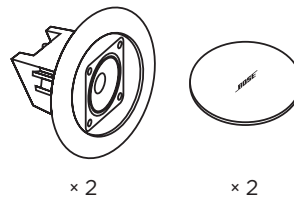
本产品享有有限保修。
有关质保的详细信息, 请访问 PRO.BOSE.COM。

包装清单

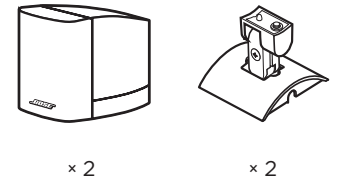
II 型 Acoustimass 低音箱



天花吸顶
卫星扬声器

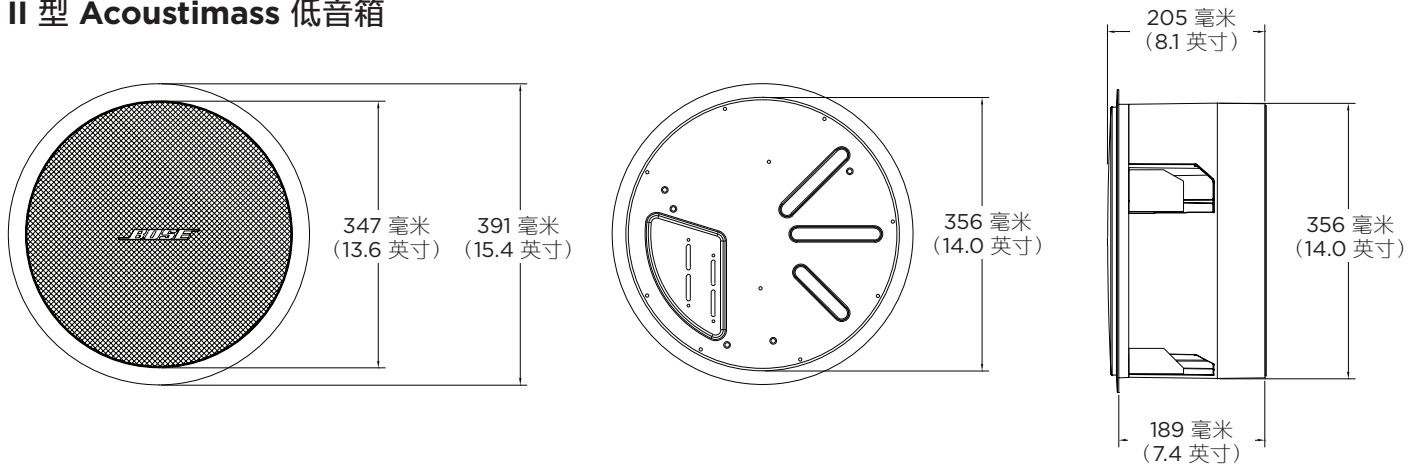


壁装
卫星扬声器

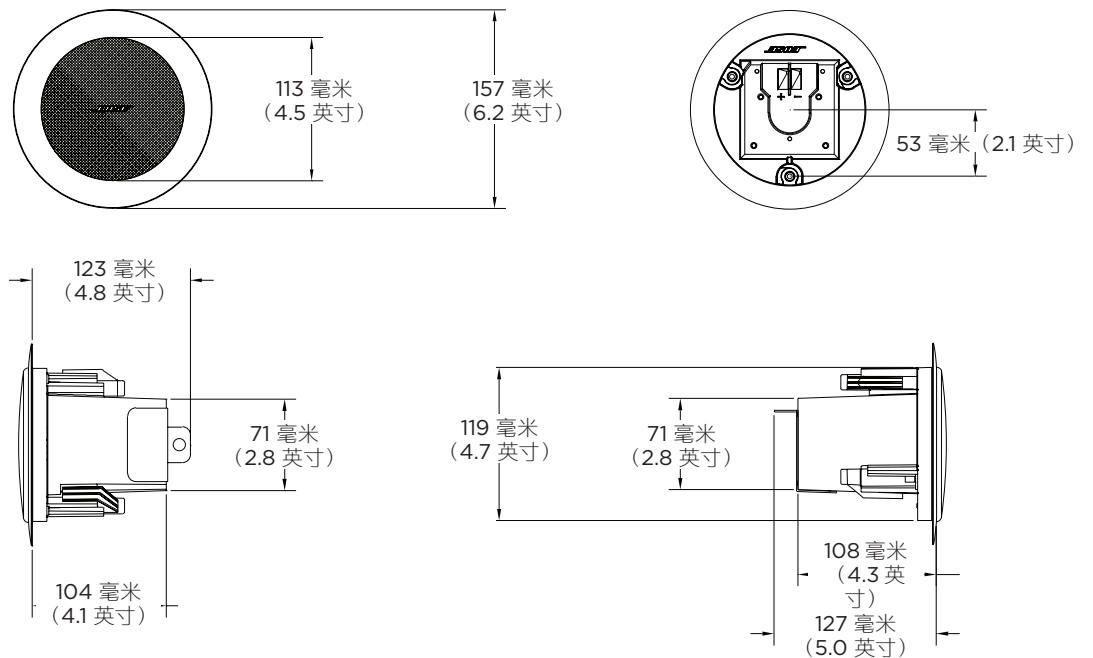


产品尺寸

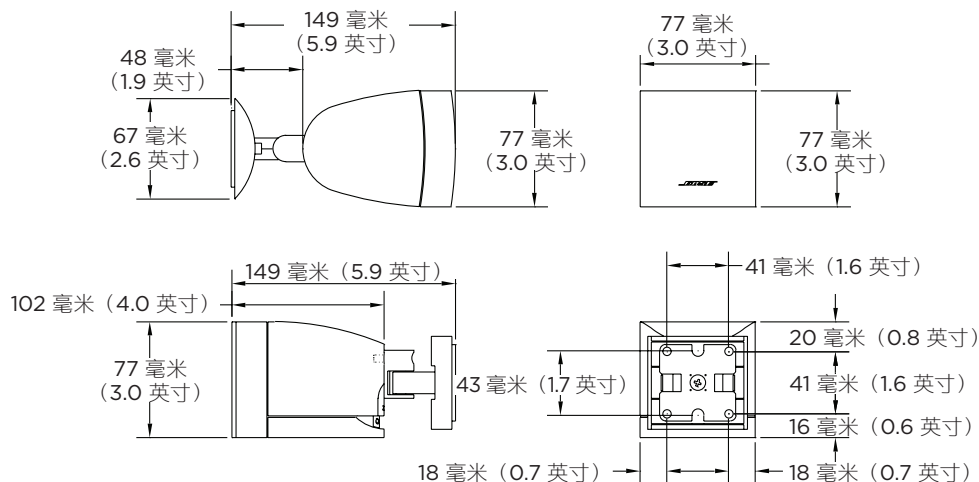
II 型 Acoustimass 低音箱



天花吸顶
卫星扬声器



壁装 卫星扬声器



技术规格

如需了解有关任何 FreeSpace 扬声器的更多规格、说明和技术信息，请访问 bosepro.link/freespace。

	II 型 Acoustimass 低音箱	天花吸顶卫星扬声器	壁装卫星扬声器
产品尺寸			
高度 × 宽度	391 毫米 (15.4 英寸) (法兰外径)	157 毫米 (6.2 英寸) (法兰外径)	77 × 77 毫米 (3.0 × 3.0 英寸)
深度	190 毫米 (7.5 英寸)	123 毫米 (4.8 英寸)	不带支架: 102 毫米 (4.0 英寸) 带支架: 149 毫米 (5.9 英寸)
天花板尺寸			
孔径	362 毫米 (14.3 英寸)	127 毫米 (5.0 英寸)	不适用
最大厚度	48 毫米 (1.8 英寸)	38 毫米 (1.5 英寸)	不适用
重量			
净重	6.4 千克 (14.0 磅)	0.9 千克 (1.9 磅)	0.8 千克 (1.8 磅)
运送	9.1 千克 (20.0 磅)	2.3 千克 (5.0 磅)	1.8 千克 (4.0 磅)

安全与法规遵从

Bose FreeSpace-3 II 型 Acoustimass 低音箱和天花吸顶卫星扬声器已通过 UL 认证，可保证安全：

通用扬声器符合 UL1480 要求，UL 类别 UEAY，文件号 S 5591

适合在室内潮湿的场所使用

适合使用 1 级、2 级或 3 级接线方法安装，符合 NFPA 70 美国国家电气法规 (2002) 第 640 条规定

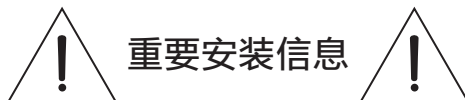
当与 PC-FS3B 和 PC-FS3F 通风盖配件一起使用时，适合在空气流动的场所使用：

UL-2043，在空气调节场所中安装的分离性产品及其配件的防火测试及可见烟雾释放

NFPA-70，美国国家电气法规 (2002) 第 300.22(C) 条

NFPA 90A (2002)，空调和通风系统的安装，第 4.3.10.2.6.5 节

本指南中介绍的 Bose FreeSpace 3 壁装卫星扬声器没有 UL 认证。



重要安装信息

安装人员有责任确保扬声器和安装系统的安装都符合适用的法规，包括当地的建筑法规和规定。安装本产品前，请咨询拥有司法管辖权的当地监管机构。安装人员负责确保扬声器安装的安全。如果未正确安装扬声器，可能导致损坏或人员伤亡。

请勿将本产品安装在可能接触到水或可能发生冷凝的位置。

本产品不适合在室内涉水设施区域安装或使用（包括但不限于室内游泳馆、室内水上乐园、有热水浴缸的房间、桑拿房、蒸汽浴室以及室内溜冰场）。请勿堵塞任何通风口。请按照制造商的说明进行安装。

请勿安装在靠近任何热源的位置，例如暖气片、热调节装置、火炉或可产生热量的其他设备（包括功放）。请将本产品放置到远离火源和热源的地方。请勿将明火火源（如点燃的蜡烛）置于本产品上或靠近本产品。

请勿将本产品安装在不结实或有潜在危险的表面，比如铺有电线或管道的地方。如果您不确定如何安装支架，请联系拥有相应资质的专业安装人员。安装支架时，确保遵守当地的建筑法规。

不提供用于将扬声器固定到安装表面的安装紧固件。在安装扬声器之前，请咨询建筑专业人员以了解使用哪种安装紧固件比较合适。

请勿让扬声器或安装组件接触 Bose 未指定的任何化学物质，包括但不限于润滑剂、清洗剂、触点喷剂或其他烃类溶剂。接触此类物质可能会导致本产品的塑料材料老化，进而导致产品开裂和掉落。

安装选件

II 型 Acoustimass 低音箱

必需

- ❶ FreeSpace 3BF 低音扬声器螺丝孔型桥板
或
- ❷ FreeSpace 3BF 低音扬声器安装桥板

可选

- ❸ FreeSpace 3BF 低音扬声器垂吊安装套件
- ❹ FreeSpace 3BF 低音扬声器壁装套件
- ❺ FreeSpace 3BF 低音扬声器通风盖
- ❻ FreeSpace 全向垂吊安装套件

天花吸顶卫星扬声器

必需

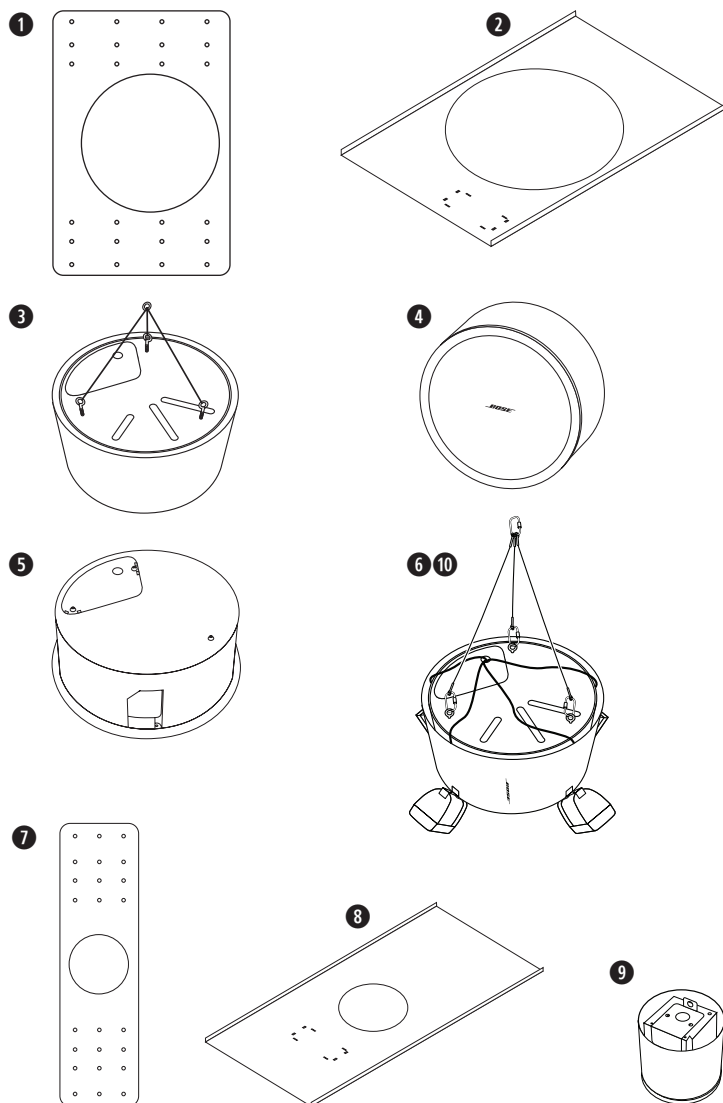
- ❽ FreeSpace 3F 卫星扬声器螺丝孔型桥板
或
- ❹ FreeSpace 3F 卫星扬声器安装桥板

可选

- ❾ FreeSpace 3F 卫星扬声器装饰盖

壁装卫星扬声器

- ❿ FreeSpace 全向垂吊安装套件



为扬声器布线

线规

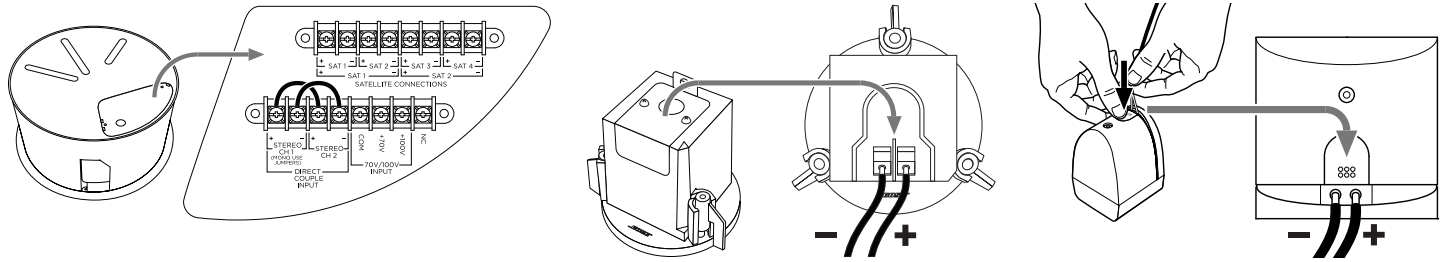
FreeSpace 3 扬声器仅可与 18 AWG (0.8 平方毫米) 至 14 AWG (2.1 平方毫米) 规格的接线一起使用。

接线端子

II 型 Acoustimass 低音箱: 拆下后盖板以便接触到接线端子。完成所有接线的连接后, 装回后盖板。

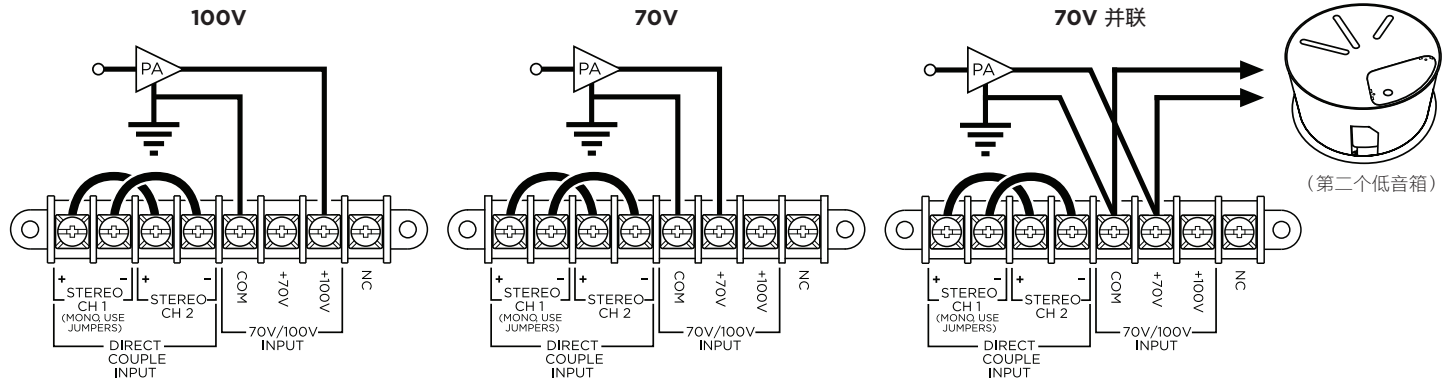
天花吸顶卫星扬声器: 拆下后盖板以便接触到接线端子。完成所有接线的连接后, 装回后盖板。

壁挂卫星扬声器: 按住后面板上的按钮, 然后完全插入接线。



功放输出连接

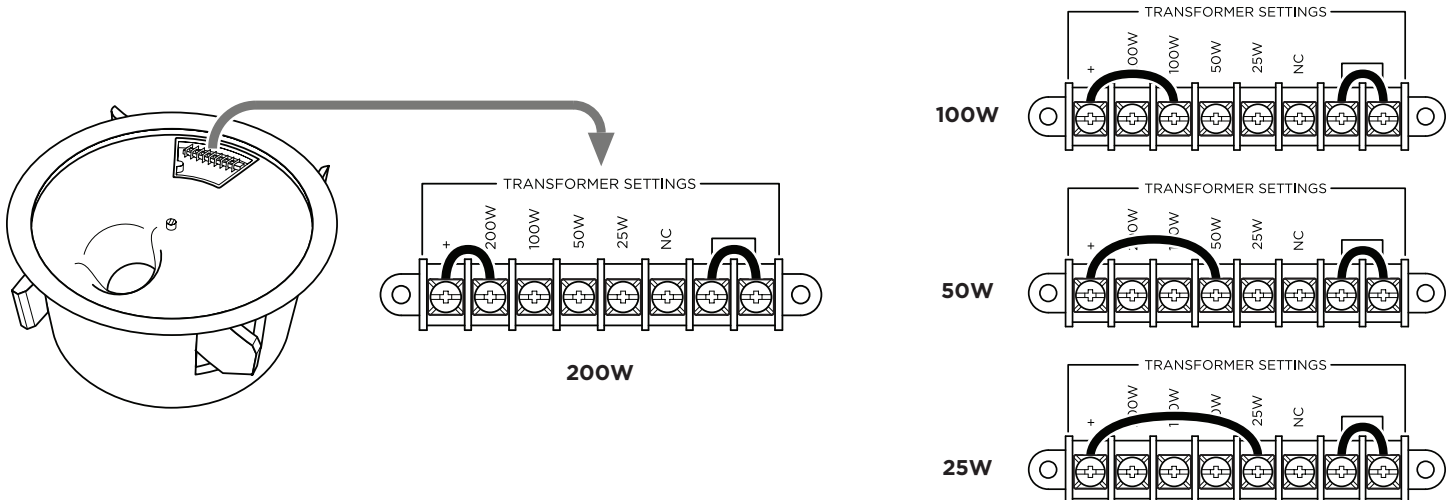
注意: 务必先完成所有接线的连接, 然后再将功放连接至电源或接通其电源。



变压器抽头设置

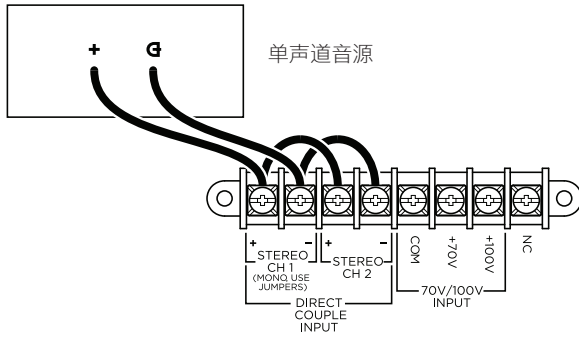
变压器抽头出厂时设置为使用 **200W** 功率。要将其设置为使用较低的功率, 请拔下连接至 **200W** 接线端子的 + 跳线的末端, 然后将其重新连接至相应的抽头: **100W**、**50W** 或 **25W**。

注意: 对于使用 70V/100V 的情况需要使用跳线。对于使用 6Ω 的情况 (变压器旁通/直连), 请拆下两根跳线。



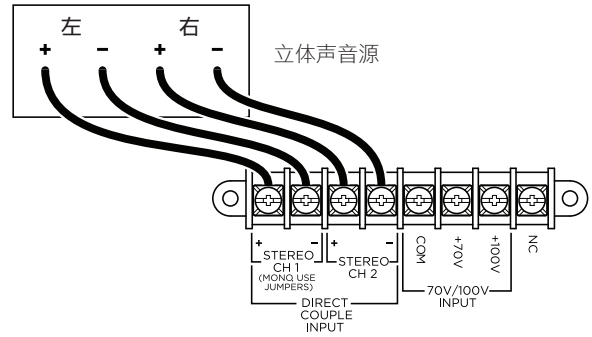
变压器旁通 (直连单声道)

要旁通变压器并让扬声器做好使用 **4Ω** 通道和单声道输入的准备, 请从扬声器前面的变压器设置中拆下两根跳线。保持扬声器背面的 **CH1** 和 **CH2** 输入跳线不变。



变压器旁通 (直连立体声)

要旁通变压器并让扬声器做好使用 **6Ω** 通道和立体声输入的准备, 请拆下所有跳线。



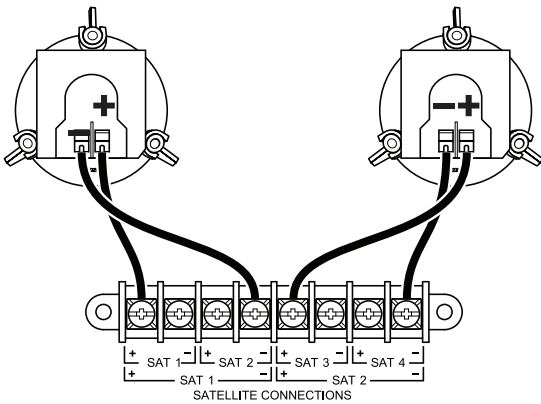
卫星扬声器连接

注意: 请勿将除 FreeSpace 3 卫星扬声器以外的任何扬声器直接连接到低音箱。

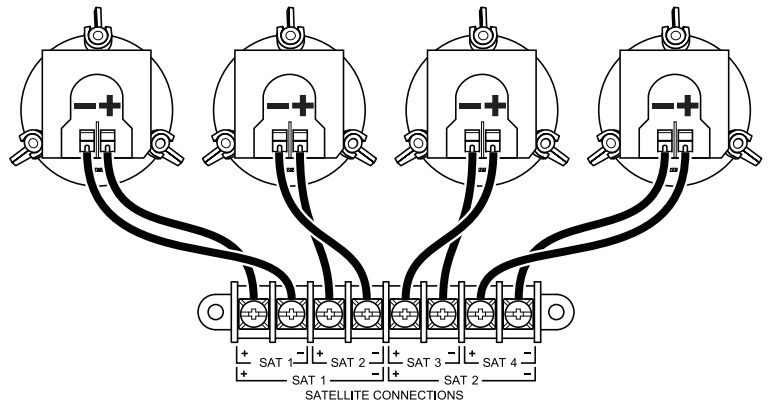
将 FreeSpace 3 II 型 Acoustimass 低音箱连接到 FreeSpace 3 天花吸顶卫星扬声器或壁挂卫星扬声器。(本页显示的是连接到天花吸顶卫星扬声器的 II 型 Acoustimass 低音箱。您可以使用壁挂卫星扬声器来代替任何天花吸顶卫星扬声器, 只要您确保它们的接线极性正确。)

您可以将 FreeSpace 3 II 型 Acoustimass 低音箱与其他 Bose 扬声器一起使用, 包括但不限于 FreeSpace、DesignMax 或 Panaray 型号。如果要这样做, 请使用单独的通道将扬声器和低音箱直接连接到功放。确保对所有其他扬声器应用适当的带通滤波和/或建议的均衡 (如适用)。请访问 **PRO.BOSE.COM** 并查看每种型号的技术参数表。

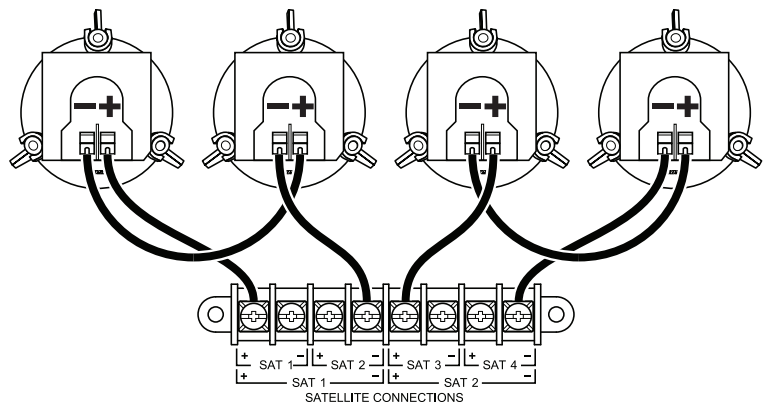
2 个卫星扬声器



4 个卫星扬声器



4 个卫星扬声器 (备选, 串联方式)



准备安装

扬声器布置

注意：安装在靠近烹饪台的位置（例如在商业烹饪环境中）会使扬声器可能直接暴露在烹饪油、蒸汽、烟雾或高温下，这可能会降低扬声器的性能或可靠性。

使用安全绳

某些地区的施工规范要求使用辅助方法将扬声器固定到支撑结构，以提供额外的安全保障。选择符合当地的建筑法规和条例的安装位置、方法和安装紧固件。

Bose 建议使用安全接线或安全绳作为 II 型 Acoustimass 低音箱和天花吸顶卫星扬声器的第二个固定装置。对于实施的任何辅助固定装置，请遵循制造商的说明。

每个扬声器型号都有一个或多个可用的连接点：

- II 型 Acoustimass 低音箱** 从后盖板上拆下一个 M6 螺钉，然后将安全绳连接到该螺钉孔。
- 天花吸顶卫星扬声器** 将一根安全绳连接到后盖板上金属卡舌的开口处。

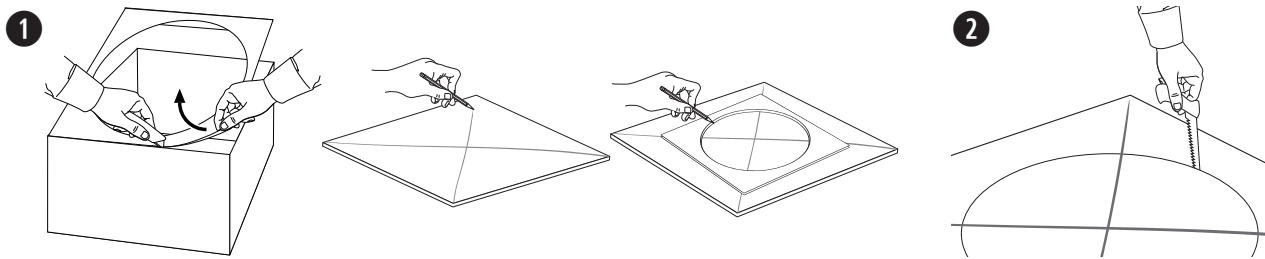
准备天花板和配件

在安装低音箱或卫星扬声器之前，请按照说明准备您将在安装过程中使用的天花板和任何配件。有关每个扬声器型号必需或可选的配件的列表，请参见**安装选件**（第 77 页）。

准备吊顶板

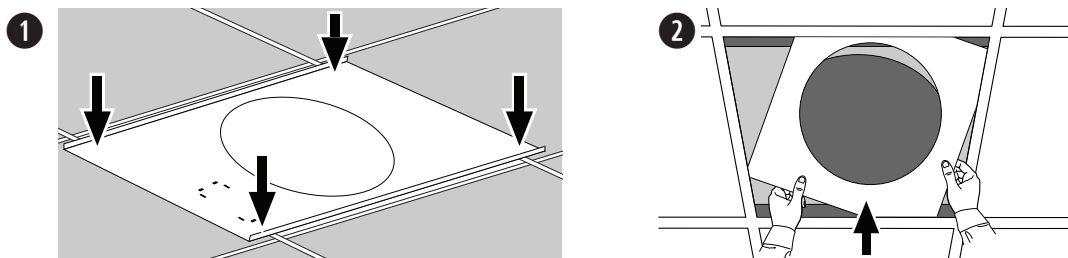
切割吊顶板

- 卸下吊顶板，然后使用模板在吊顶板上描画扬声器孔。为了将模板放在吊顶板的中心位置，可连接对角线画一个“X”，然后利用交叉点使模板居中。
- 在吊顶板上开一个孔。



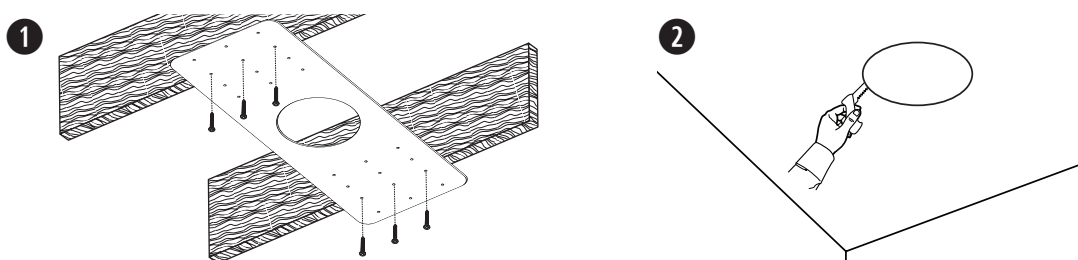
装好安装桥板

- 将安装桥板穿过吊顶龙骨放置。必要时，调节安装桥板，使滑轨靠在吊顶龙骨上。
- 将吊顶板装回天花板上。



使用螺丝孔型桥板（新结构）准备硬顶天花板

- 将螺丝孔型桥板固定到轻钢龙骨或木质龙骨上。螺丝孔型桥板包括多个预钻孔，以适应不同的龙骨间隔、扬声器方位或扬声器布置。
- 对天花板进行表面处理，将螺丝孔型桥板作为参考，在经过表面处理的天花板上开孔。



安装扬声器

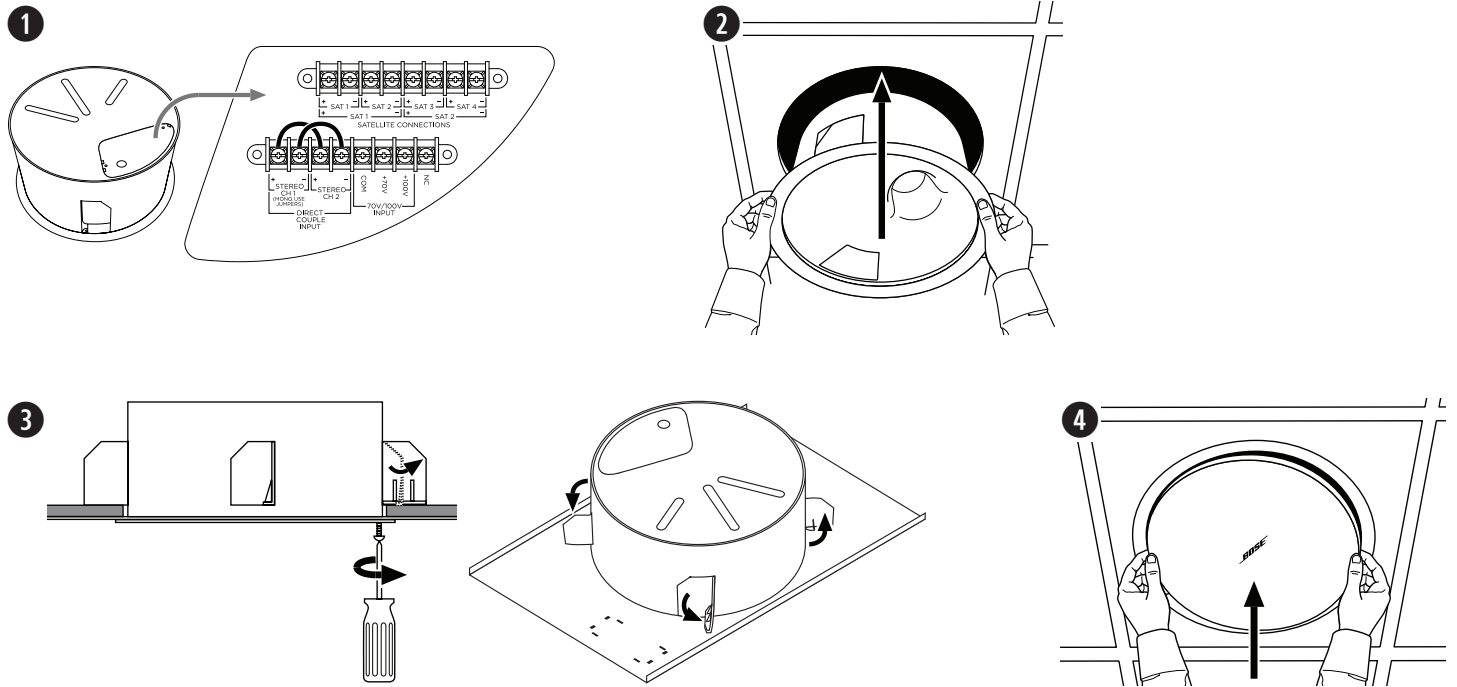
II 型 Acoustimass 低音箱

1. 确保完成所有扬声器接线的连接。有关接线信息，请参阅**扬声器布线**（第 78 页）。
2. 将扬声器穿过孔插入安装桥板或螺丝孔型桥板。继续将扬声器固定到位。
3. 拧紧锚臂螺钉以固定扬声器。如果使用电钻，请设为低扭矩设置。在松开扶住扬声器的手之前，确保已拧紧所有锚栓。



警告： 过度拧紧螺钉可能会导致锚柱安装点或天花板损坏，进而导致产品掉落。

4. 用双手将网罩定位到扬声器上。轻轻地将网罩推到扬声器上以将其固定。网罩固定后，您可以旋转徽标。



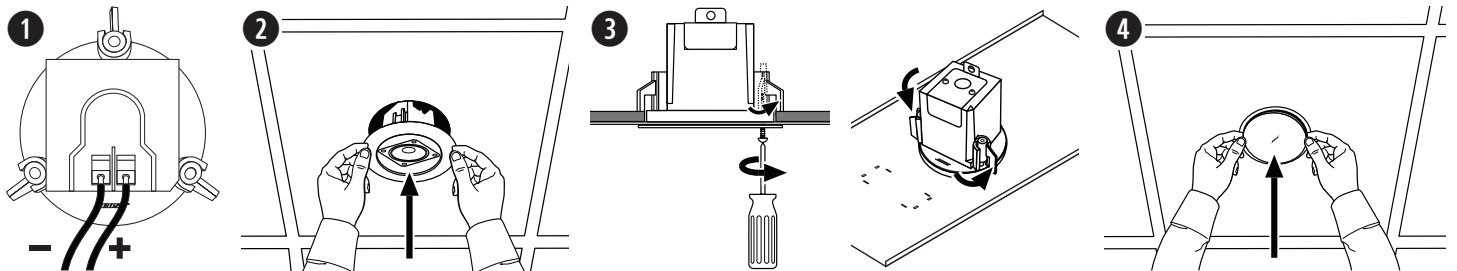
天花吸顶卫星扬声器

1. 确保完成所有扬声器接线的连接。有关接线信息，请参阅**扬声器布线**（第 78 页）。
2. 将扬声器穿过孔插入安装桥板或螺丝孔型桥板。继续将扬声器固定到位。
3. 拧紧锚臂螺钉以固定扬声器。如果使用电钻，请设为低扭矩设置。在松开扶住扬声器的手之前，确保已拧紧所有锚栓。



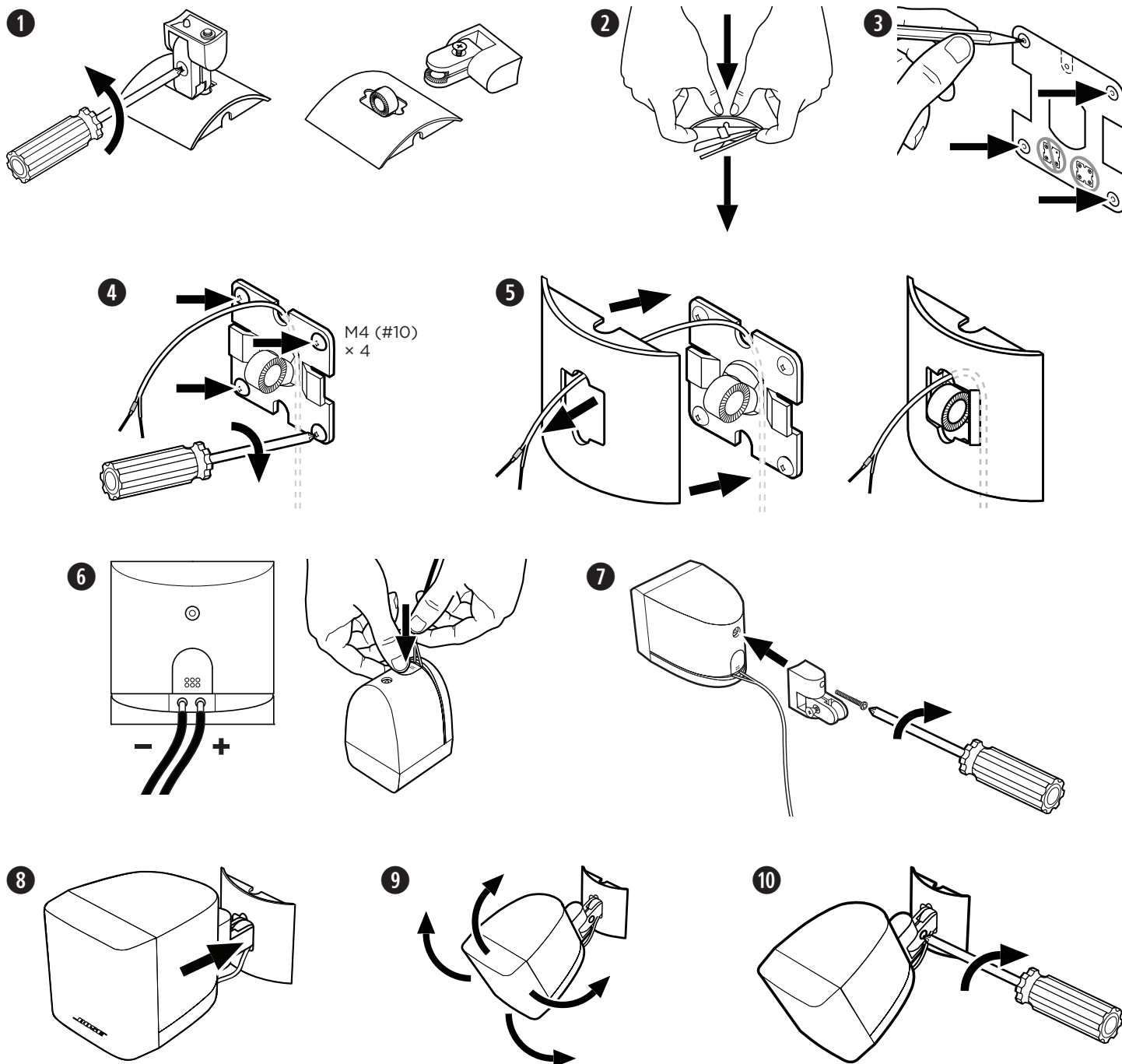
警告： 过度拧紧螺钉可能会导致锚柱安装点或天花板损坏，进而导致产品掉落。

4. 用双手将网罩定位到扬声器上。轻轻地将网罩推到扬声器上以将其固定。



壁装卫星扬声器

1. 拧松扬声器臂连接到壁装支架的螺钉，然后将两部分分开。
2. 将壁装支架的后板与盖分开。
3. 使用模板在墙壁上标记所有四个螺钉孔的中心。
4. 插入四颗 M4 (#10) 螺钉，将壁装支架固定到墙壁上。确保扬声器接线在墙壁的出口位置与支架上的槽口对准。
5. 将壁装支架盖重新连接到支架片上，并将扬声器接线穿过壁装支架盖的中心孔。
6. 将接线连接到扬声器。有关接线信息，请参阅**扬声器布线**（第 78 页）。
7. 使用随附的螺钉将扬声器臂连接到扬声器后面板上的螺纹插件上。
8. 通过对准旋转接头的两个部分（在步骤 1 中分开的），将扬声器臂连接到壁装支架上。
9. 根据需要调节扬声器的垂直和水平角度。
10. 将螺钉（在步骤 1 中拆下的）插入旋转接头。拧紧螺钉，以所需角度将扬声器固定到壁装支架上。

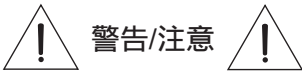


請閱讀並保管好所有安全和使用指示。

本產品僅限由專業安裝人員安裝！本文件包含本產品採一般固定式安裝系統時的相關基本安裝資訊與安全基準，以供專業安裝人員參考。在嘗試進行安裝以前，請先閱讀本文件與所有的安全警告。

請勿自行維修本產品。如需任何維修服務，請洽授權服務中心、安裝人員、技術人員、經銷商或分銷商。若要聯絡 Bose Professional 或尋找附近的經銷商或分銷商，請造訪 **PRO.BOSE.COM**。

1. 閱讀這些指示。
2. 保留這些指示。
3. 注意所有警告。
4. 遵守所有指示。
5. 請勿在水邊使用此裝置。
6. 只能用乾布清潔。
7. 請勿堵塞任何通風口。請按照製造商的指示安裝。
8. 請勿在熱源附近安裝，如暖氣片、熱調節裝置、火爐或可發熱的其他裝置（包括擴大機）。
9. 只能使用製造商指定的附件/配件。



警告/注意

本產品含有磁性材料。請諮詢醫生以瞭解這是否會影響您的植入式醫療設備。

- 所有 Bose 產品的安裝必須遵守當地、州、聯邦和行業規範。安裝人員有責任確保揚聲器和安裝系統的裝設都符合適用的法規，包括當地的建築法規和規定。安裝本產品前，請諮詢擁有司法權的當地政府機關。
- 以不安全的方式安裝或高處懸吊任何重物都可能導致嚴重的人身傷害或死亡，以及財產損失。安裝人員須負責評估其應用情形中所採用之任何安裝方式是否穩定可靠。只有具備適當五金部件知識與安全安裝技術的專業安裝人員，才可嘗試安裝任何高處懸吊揚聲器。
- 請勿將本產品安裝於可能接觸水或結露的位置。
- 本產品並不適合安裝或用於室內有水設施區域（包括但不限於：室內泳池、室內戲水區、熱水浴池、桑拿、蒸氣室與室內溜冰場等）。
- 請勿安裝在不穩定或有潛在危險的表面，比如佈線或鋪設管道的地方。如果您不確定如何安裝本支架，請聯絡合格的專業安裝人員。
- 僅限使用 Bose 隨附或指定的五金部件與配件。未隨附可將安裝支架固定於安裝表面的五金部件。如需相容配件的相關資訊，請參閱 **PRO.BOSE.COM** 上的產品技術資料表。
- 請勿將本產品放置或安裝於任何熱源附近，例如火爐、暖氣片、熱調節裝置或可發熱的其他裝置（包括擴大機）。
- 使產品遠離火源和熱源。請勿將明火火源（例如點燃的蠟燭）置於本產品上或本產品附近。
- 未經授權請勿擅自改裝本產品。
- 請勿使揚聲器或安裝組件接觸任何非由 Bose 指定的化學物質，包括但不限於潤滑劑、清潔劑、觸點噴劑或其他碳氫溶劑。接觸該等物質會使塑膠材質劣化，進而導致破裂並產生墜落危險。
- 請僅使用乾布來清潔揚聲器。請勿使揚聲器接觸肥皂、去污劑、礦物油、酒精或其他清潔劑或化學品。


產品額定值

	輸入電壓	阻抗	電流/功率
II Acoustimass 低音箱	70V/100V	6 Ω 單聲道直接輸入，變壓器關閉	25W、50W、100W、200W
嵌入式安裝衛星揚聲器	不適用	6 Ω	不適用
面裝衛星揚聲器	不適用	每聲道 6 Ω (4 個衛星揚聲器系統)；每聲道 5 Ω (2 個衛星揚聲器系統)	不適用

法規資訊

CE 本產品符合所有適用的歐盟指令要求。符合聲明全文載於：
www.bose.com/compliance。


UK CA 本產品符合所有適用的 2016 電磁相容性法規和所有其他適用的英國法規。您可以從以下位置找到完整的符合聲明：
www.bose.com/compliance

 此符號表示本產品不得以家庭廢棄物方式丟棄，而應將其送到合適的收集設施進行回收。妥善處理及回收有助於保護天然資源、人類健康和環境。如欲獲得有關處理和回收本產品的更多資訊，請聯絡當地政府機關、廢棄物處理服務或您購買本產品的商家。

中國有害物質限制使用表

有毒或有害物質或元素的名稱及成分						
零件名稱	有毒或危險物質及元素					
	鉛 (Pb)	汞 (Hg)	鎘 (Cd)	六價鉻 (CR(VI))	多溴化聯苯 (PBB)	多溴聯苯醚 (PBDE)
多氯聯苯	X	0	0	0	0	0
金屬零件	X	0	0	0	0	0
塑膠零件	0	0	0	0	0	0
揚聲器	X	0	0	0	0	0
連接線	X	0	0	0	0	0

此表格係根據 SJ/T 11364 所製作。
0: 表示用於此零件的所有同類材料中，此有毒或危險物質低於 GB/T 26572 中的限制規定。
X: 表示至少一種用於此零件的同類材料中，此有毒或危險物質高於 GB/T 26572 中的限制規定。



台灣有害物質限用表

設備名稱:		型號:	
FreeSpace 3 II Acoustimass 低音箱		040147、040148	
FreeSpace 3 Flush-Mount Satellites 嵌入式安裝衛星揚聲器		040150、040149	
FreeSpace 3 Surface-Mount Satellites 面裝衛星揚聲器		040144、040143	

限用物質及其化學符號						
單元	鉛 (Pb)	汞 (Hg)	鎘 (Cd)	六價鉻 (Cr+6)	多溴聯苯 (PBB)	多溴二苯醚 (PBDE)
多氯聯苯	-	○	○	○	○	○
金屬零件	-	○	○	○	○	○
塑膠零件	○	○	○	○	○	○
揚聲器	-	○	○	○	○	○
連接線	-	○	○	○	○	○

備註 1: 「○」表示限用物質的濃度百分比含量未超過參考值。
備註 2: 「-」表示限用物質屬於豁免項目範圍。

製造日期: 序號第八位數代表製造年份; 「7」代表 2007 或 2017。

中國進口商: Bose 電子(上海)有限公司, 上海市閔行區顧戴路 2337 號豐樹商業城塔樓 D 第 6 層 (郵編: 201100)

英國進口商: Bose Limited, Bose House, Quayside Chatham Maritime, Chatham, Kent, ME4 4QZ, United Kingdom

歐盟進口商: Bose Products B.V., Gorslaan 60, 1441 RG Purmerend, The Netherlands

墨西哥進口商: Bose de México, S. de R.L. de C.V., Paseo de las Palmas 405-204, Lomas de Chapultepec, 11000 México, D.F.進口商與服務資訊: +5255 (5202) 3545

台灣進口商: Bose 台灣分公司, 台灣 104 台北市民生東路三段 10 號 9 樓 A1 室。電話號碼: +886-2-2514 7977

Bose Corporation 總部: 1-877-230-5639

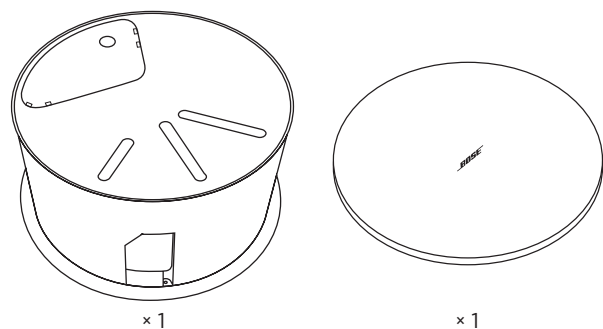
Bose、Acoustimass、DesignMax、FreeSpace 與 Panaray 是 Bose Corporation 的商標。
©2022 Bose Corporation。未經事先書面許可，不得複製、修改、散佈或以其他方式使用本資料的任何部分。

保固資訊

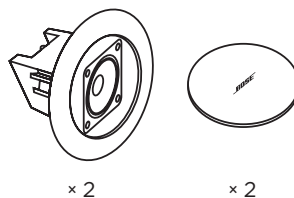
此產品享有有限保固。
如需保固詳細資料，請造訪 **PRO.BOSE.COM**。

包裝內容物

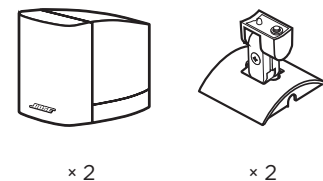
II Acoustimass 低音箱



嵌入式安裝
衛星揚聲器

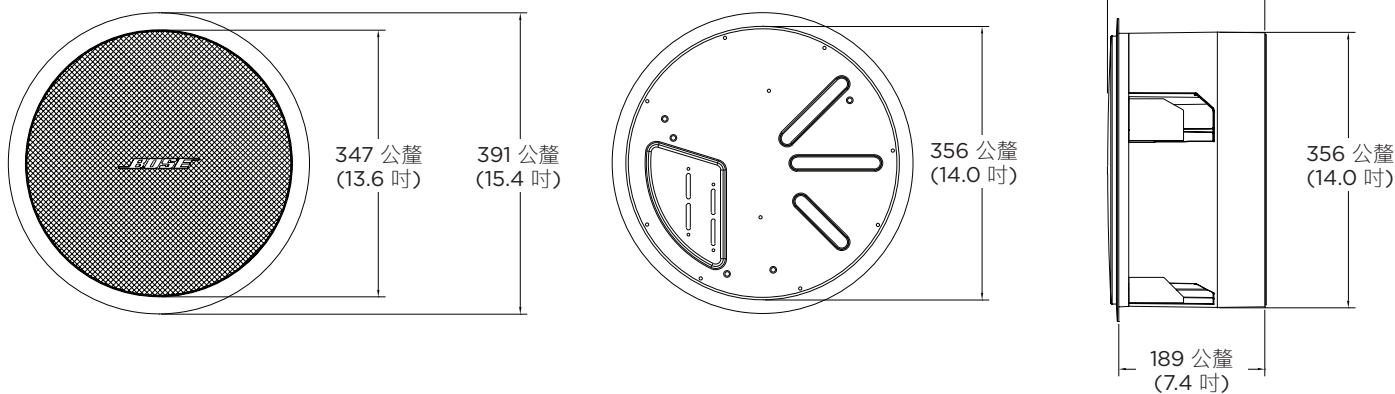


面裝
衛星揚聲器

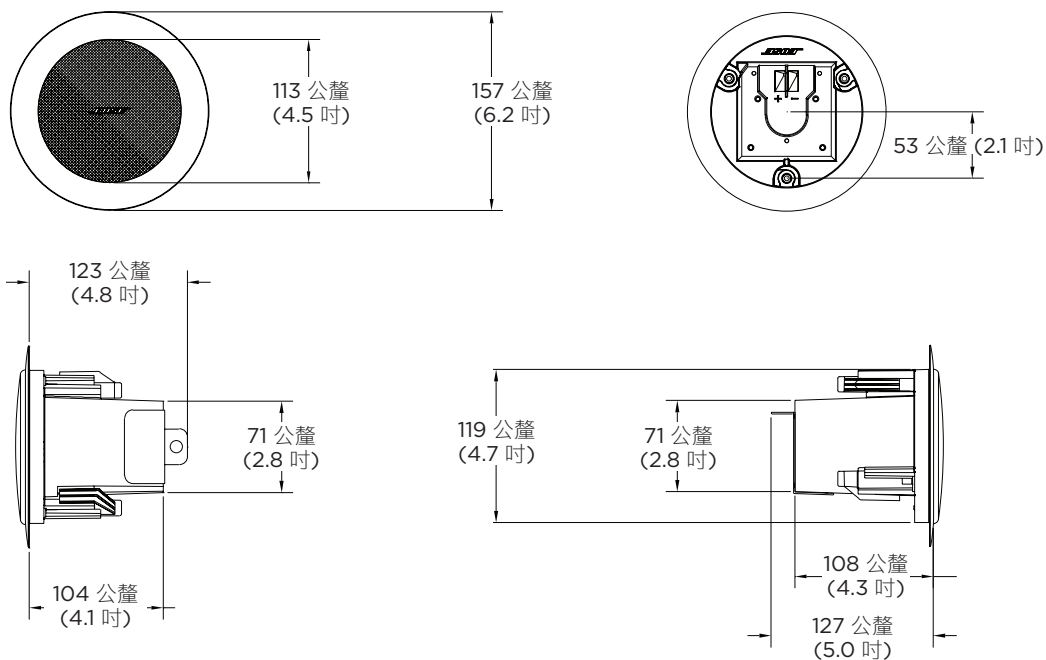


產品尺寸

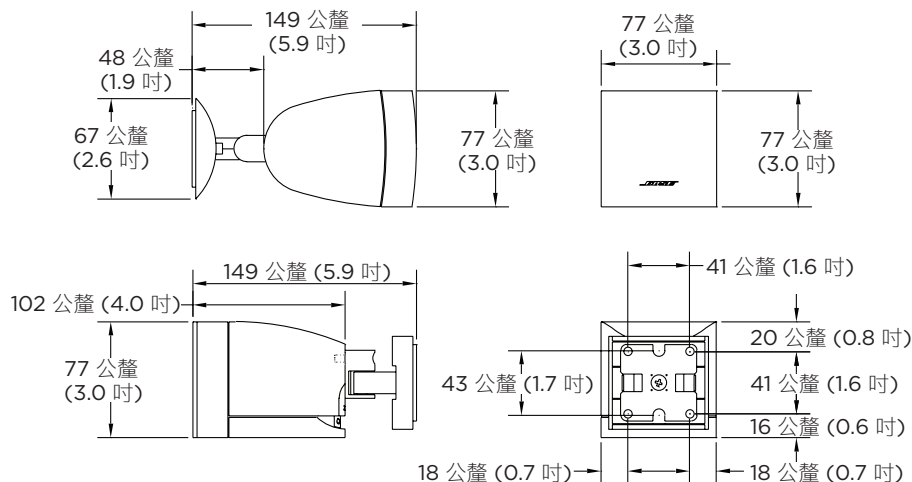
II Acoustimass 低音箱



嵌入式安裝
衛星揚聲器



面裝 衛星揚聲器



技術規格

如需關於任何 FreeSpace 揚聲器的其他規格、說明與技術資訊，請造訪 bosepro.link/freespace。

	II Acoustimass 低音箱	嵌入式安裝衛星揚聲器	面裝衛星揚聲器
產品尺寸			
高度 × 寬度	391 公釐 (15.4 吋) (外突緣直徑)	157 公釐 (6.2 吋) (外突緣直徑)	77 × 77 公釐 (3.0 × 3.0 吋)
深度	190 公釐 (7.5 吋)	123 公釐 (4.8 吋)	不含支架: 102 公釐 (4.0 吋) 包含支架: 149 公釐 (5.9 吋)
天花板尺寸			
開孔直徑	362 公釐 (14.3 吋)	127 公釐 (5.0 吋)	不適用
最大厚度	48 公釐 (1.8 吋)	38 公釐 (1.5 吋)	不適用
重量			
淨重	6.4 公斤 (14.0 磅)	0.9 公斤 (1.9 磅)	0.8 公斤 (1.8 磅)
裝運重量	9.1 公斤 (20.0 磅)	2.3 公斤 (5.0 磅)	1.8 公斤 (4.0 磅)

安全與規章遵循

Bose FreeSpace-3 II Acoustimass Module 低音箱與嵌入式安裝衛星揚聲器，已獲 UL 安全認證如下：

符合 UL1480, UL Category UEAY, 案號 S 5591 之通用揚聲器

適合室內潮濕位置使用。

根據 NFPA 70 2002 年《National Electric Code》(美國國家電氣規程) 第 640 條，適合使用 Class 1、Class 2 或 Class 3 配線方式安裝

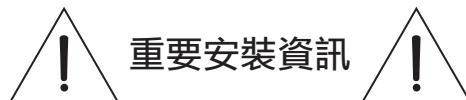
若搭配 PC-FS3B 與 PC-FS3F 氣室罩配件使用，可適用於空氣調節氣室空間：

UL-2043, 《Fire Test and Visible Smoke Release for Discrete Products and their Accessories Installed in Air Handling Spaces》(裝於空氣調節空間之分離性產品及其配件的防火測試及可視煙霧釋放)

NFPA-70, 2002 年, 《National Electrical Code》(美國國家電氣規程) 第 300.22(C) 條

NFPA 90A, 2002 年, 《Installation of Air Conditioning and Ventilation Systems》(空調與排氣系統安裝), 第 4.3.10.2.6.5 項

本指南中所述之 Bose FreeSpace 3 Surface-mount Satellites 面裝衛星揚聲器，尚未獲得 UL 安全認證。



安裝人員有責任確保揚聲器和安裝系統的裝設都符合適用的法規，包括當地的建築法規和規定。安裝本產品前，請諮詢擁有司法權的當地政府機關。安裝人員須負責確保揚聲器安裝的安全。若未正確安裝揚聲器，則可能導致損害、傷害或死亡。

請勿將本產品安裝於可能接觸水或結露的位置。

本產品並不適合安裝或用於室內有水設施區域 (包括但不限於：室內泳池、室內戲水區、熱水浴池、桑拿、蒸氣室與室內溜冰場等)。

請勿堵塞任何通風口。請按照製造商的指示安裝。

請勿在熱源附近安裝，如暖氣片、熱調節裝置、火爐或可發熱的其他裝置 (包括擴大機)。使產品遠離火源和熱源。請勿將明火火源 (例如點燃的蠟燭) 置於本產品上或本產品附近。

請勿安裝在不穩定或有潛在危險的表面，比如佈線或鋪設管道的地方。如果您不確定如何安裝本支架，請聯絡合格的專業安裝人員。請務必遵循當地建築法規安裝支架。

未隨附可將揚聲器固定至安裝表面的五金部件。安裝揚聲器前，請諮詢建築專業人員以取得合適的安裝五金部件。

請勿使揚聲器或安裝組件接觸任何非由 Bose 指定的化學物質，包括但不限於潤滑劑、清潔劑、觸點噴劑或其他碳氫溶劑。接觸該等物質會使塑膠材質劣化，進而導致破裂並產生墜落危險。

安裝選項

II Acoustimass 低音箱

必要

- ❶ FreeSpace 3BF Bass Loudspeaker 低音揚聲器放樣板
或
- ❷ FreeSpace 3BF Bass Loudspeaker 低音揚聲器天花板跨橋板

選配

- ❸ FreeSpace 3BF Bass Loudspeaker 低音揚聲器吊裝套件
- ❹ FreeSpace 3BF Bass Loudspeaker 低音揚聲器面裝套件
- ❺ FreeSpace 3BF Bass Loudspeaker 低音揚聲器氣室罩
- ❻ FreeSpace 全向吊裝套件

嵌入式安裝衛星揚聲器

必要

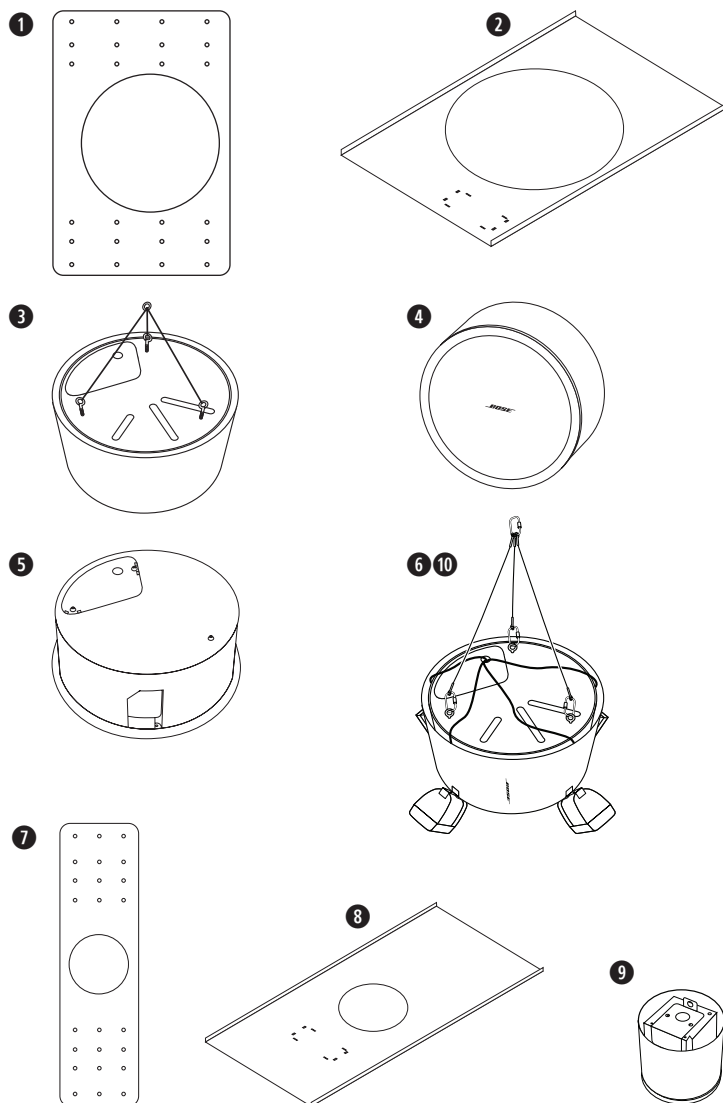
- ❽ FreeSpace 3F Satellite Loudspeaker 衛星揚聲器放樣板
或
- ❾ FreeSpace 3F Satellite Loudspeaker 衛星揚聲器天花板跨橋板

選配

- ❿ FreeSpace 3F Satellite Loudspeaker 衛星揚聲器美化外蓋

面裝衛星揚聲器

- ❿ FreeSpace 全向吊裝套件



揚聲器接線

線規

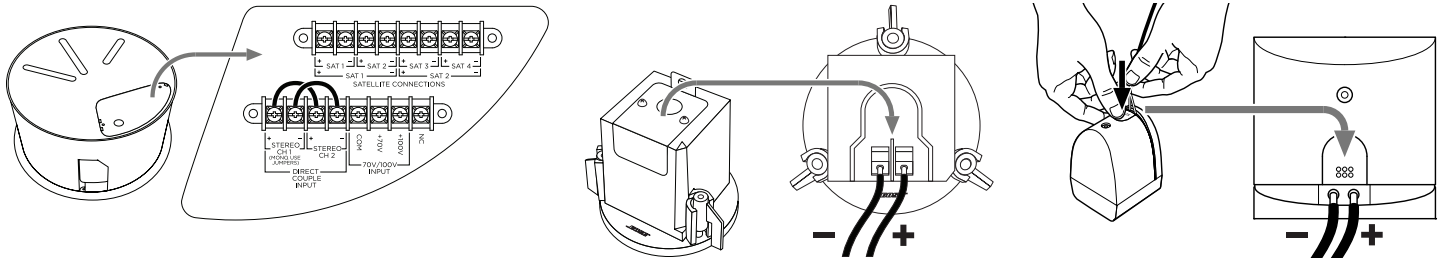
FreeSpace 3 揚聲器的設計僅可使用 18 AWG (0.8 公釐²) 至 14 AWG (2.1 公釐²) 的線材。

接線端子

II Acoustimass 低音箱： 拆下後方蓋板，以使用接線端子。完成所有的接線連線後，重新裝回後方蓋板。

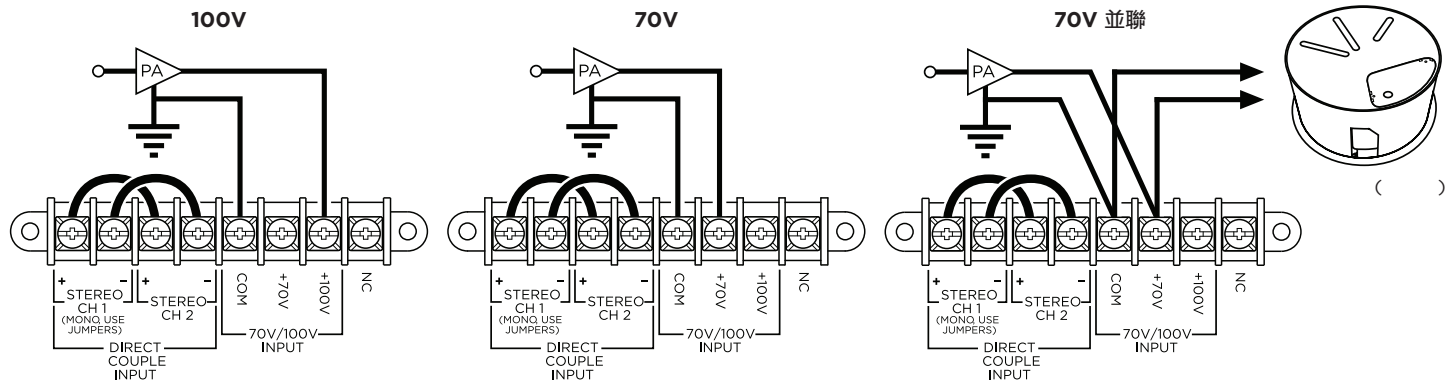
嵌入式安裝衛星揚聲器： 拆下後方蓋板，以使用接線端子。完成所有的接線連線後，重新裝回後方蓋板。

面裝衛星揚聲器： 按壓住後面板上的按鍵，同時接線，以使其完全插入。



擴大機輸出連線

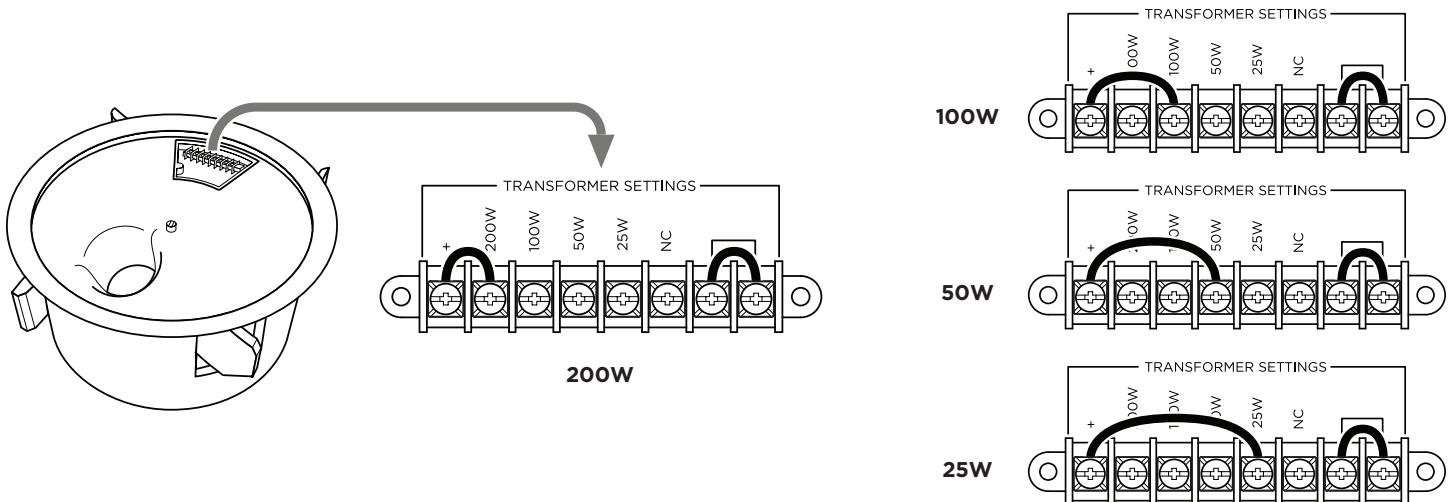
注意： 您必須先完成所有的接線連線，才能將擴大機連線至電源或開啟電源。



變壓器抽頭設定

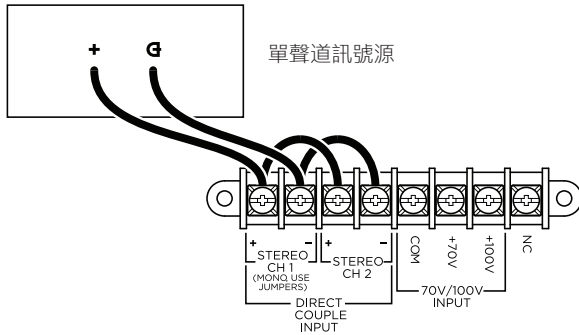
變壓器抽頭原廠設定為適用於 **200W**。若要將其設為較低瓦數，請拆下連線至 **200W** 端子的 + 跳線端，然後將其重新連線至適用的抽頭：**100W**、**50W** 或 **25W**。

備註： 70V/100V 運作需要跳線。針對 6Ω 運作 (變壓器關閉/直接輸入)，請將兩個跳線移除。



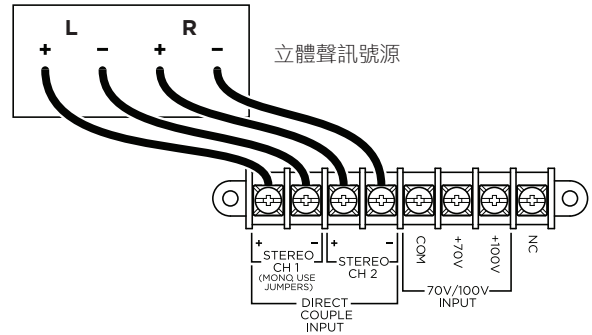
變壓器關閉 (單聲道直接輸入)

若要關閉變壓器並使揚聲器可適用 **4Ω** 與單聲道聲音輸入，請從揚聲器前方的變壓器設定移除兩個跳線。請將揚聲器後方的 **CH1** 與 **CH2** 輸入跳線保持原樣。



變壓器關閉 (立體聲直接輸入)

若要關閉變壓器並使揚聲器可適用 **6Ω** 與立體聲輸入，請移除所有跳線。



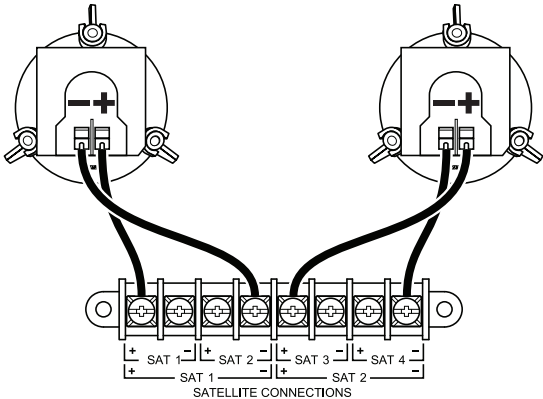
衛星揚聲器連線

注意：請勿將 FreeSpace 3 衛星揚聲器以外的其他任何揚聲器直接連線至模組。

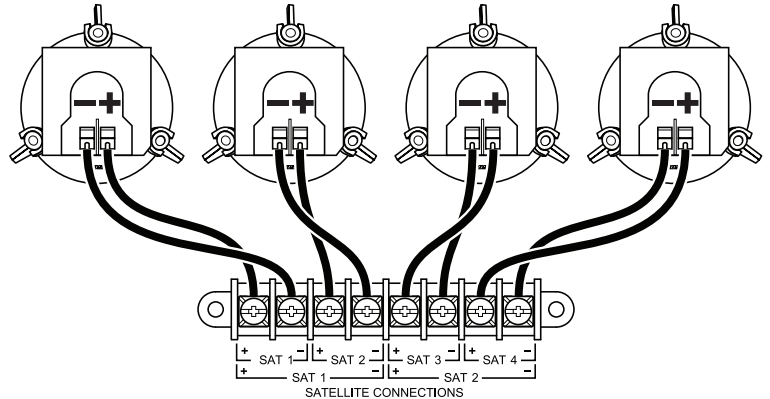
請將 FreeSpace 3 II Acoustimass 低音箱連線至 FreeSpace 3 Flush-mount Satellites 嵌入式安裝衛星揚聲器或 Surface-mount Satellites 面裝衛星揚聲器。(在本頁中，所示之 II Acoustimass 低音箱是連線至 Flush-mount Satellites 嵌入式安裝衛星揚聲器。您可以用 Surface-mount Satellites 面裝衛星揚聲器來替代任何的 Flush-mount Satellites 嵌入式安裝衛星揚聲器，只要您使用正確的極性來連接設備即可。)

您可以將 FreeSpace 3 II Acoustimass module 低音箱與其他 Bose 揚聲器搭配使用，包括但不限於 FreeSpace、DesignMax 或 Panaray 機型。如果您採用這樣的做法，請將揚聲器與低音箱直接連線至擴大機，且使用獨立的聲道。請確保對其他所有的揚聲器套用適當的帶通濾波及/或建議的均衡 (若適用)。請造訪 **PRO.BOSE.COM**，參閱每個型號的技術資料表。

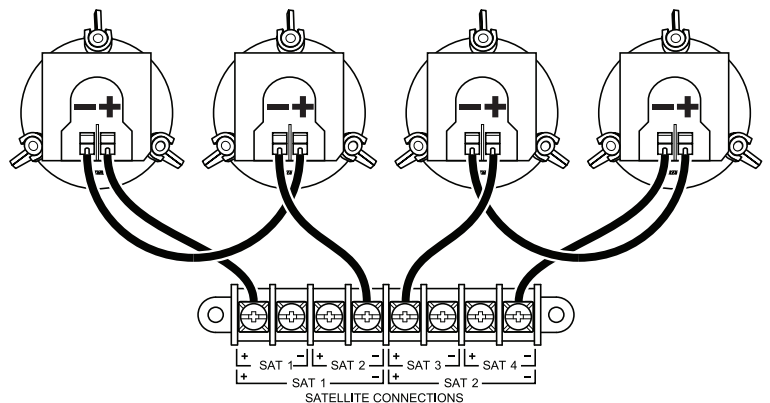
2 個衛星揚聲器



4 個衛星揚聲器



4 個衛星揚聲器 (替代方案，系列方法)



安裝準備

揚聲器位置

備註：若揚聲器安裝的位置靠近料理檯面，可能會直接接觸烹調油脂、水蒸氣、煙霧或高溫（例如商業料理環境），即可能會降低揚聲器的效能或可靠性。

使用安全纜線

部分地區的建築法規要求使用輔助方式固定揚聲器以增強結構支撐力，加強安全性。請遵守當地的建築法規和規定，選擇合適的安裝位置、方式和五金部件。

Bose 建議使用安全索或安全纜索來作為 FreeSpace 3 II Acoustimass 低音箱與 Flush-mount Satellites 嵌入式安裝衛星揚聲器的輔助固定機制。請遵守製造商的指示來施作任何輔助固定機制。

每個揚聲器型號都會有一或多個可能的安裝點：

FreeSpace 3 II Acoustimass 低音箱 拆下後方蓋板的 M6 螺絲，然後將安全纜索安裝至該螺絲孔。

嵌入式安裝衛星揚聲器 將安全纜索安裝至後方蓋板金屬調整片的開口。

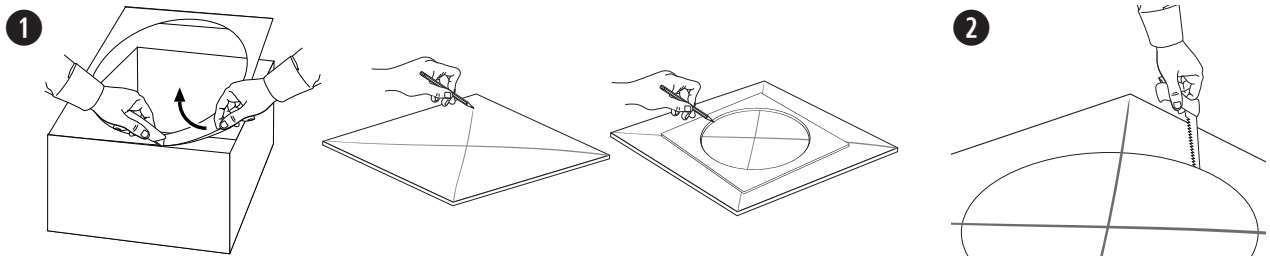
天花板與配件準備工作

在安裝低音箱或衛星揚聲器之前，請依照指示進行天花板與您將用於安裝之任何配件的準備工作。請參閱**安裝選項**（第 86 頁），以瞭解各揚聲器型號的必要或選配配件清單。

聲學天花板板準備工作

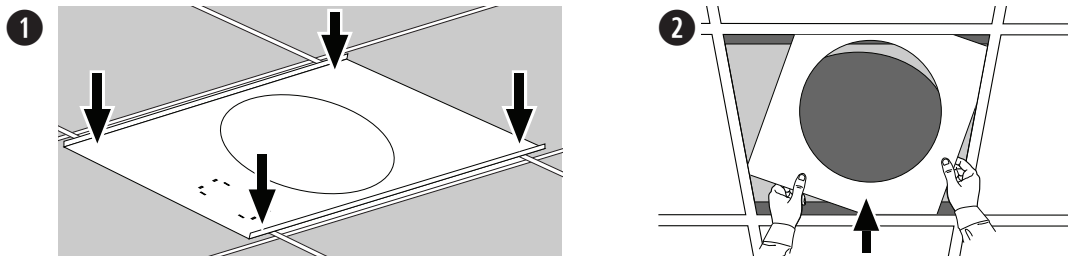
裁切天花板板材

1. 取下天花板板材，然後使用定位卡將揚聲器孔洞描繪於板材上。為將定位卡置於板材正中央，請自四個角畫出交叉的對角線，利用交叉點將定位卡置中。
2. 在板材上裁切出一個孔洞。



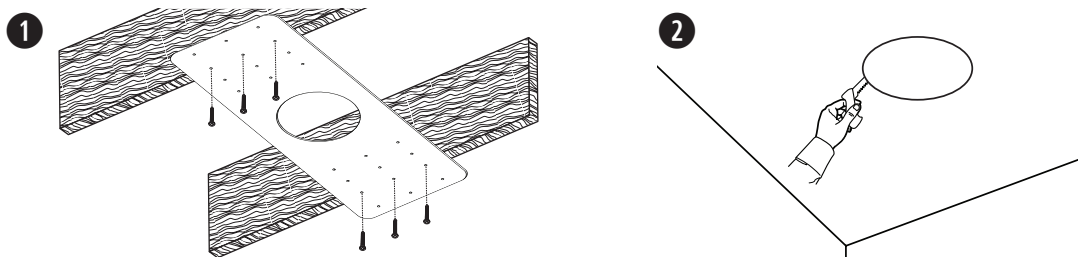
安裝天花板跨橋板

1. 將天花板跨橋板架在天花板框架上。可視情況需要調整天花板跨橋板，使軌道緊貼天花板框架。
2. 將板材裝回天花板。



使用放樣板來進行硬式天花板的準備工作 (新建工程)

1. 將放樣板安裝到天花板角材或木吊筋上。放樣板上有多個預先鑽好的洞，可配合不同木吊筋間距、揚聲器方向和揚聲器擺設位置。
2. 天花板完成之後，請以放樣板為準於天花板裁切出孔洞。



安裝揚聲器

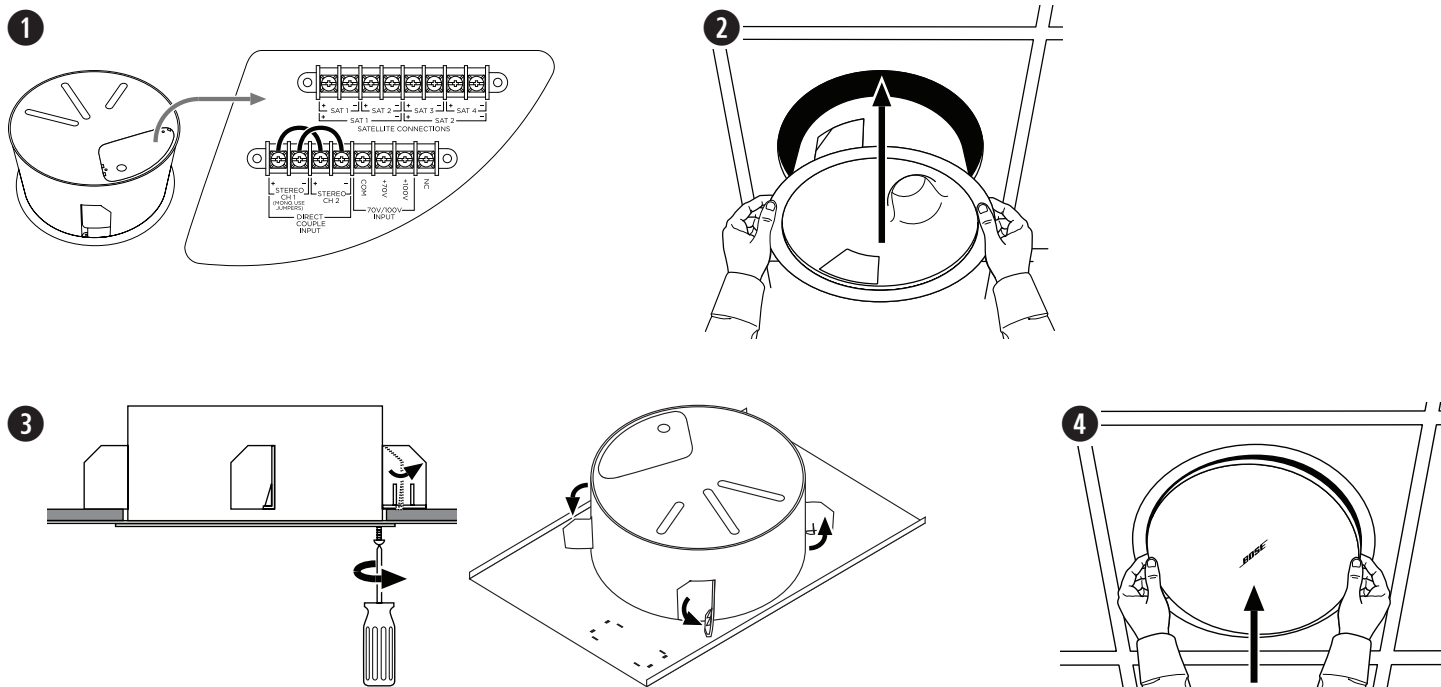
FreeSpace 3 II Acoustimass 低音箱

1. 請確定所有揚聲器的接線連線均已完成。如需瞭解配線資訊，請參閱「揚聲器接線」(第 87 頁)。
2. 將揚聲器穿過孔洞，並置入天花板跨橋板或放樣板中。持續使揚聲器保持定位。
3. 鎖緊錨座支臂螺絲以固定揚聲器。如果使用電動工具，請調整為低扭力設定。在放開揚聲器之前，請務必確認所有的錨座均已鎖緊。



警告： 螺絲過度鎖緊可能會對錨座安裝點或天花板造成損壞，進而導致墜落危險。

4. 請使用雙手將網罩對準揚聲器。將網罩對著揚聲器輕推，以固定網罩。網罩固定之後，即可旋轉標誌。



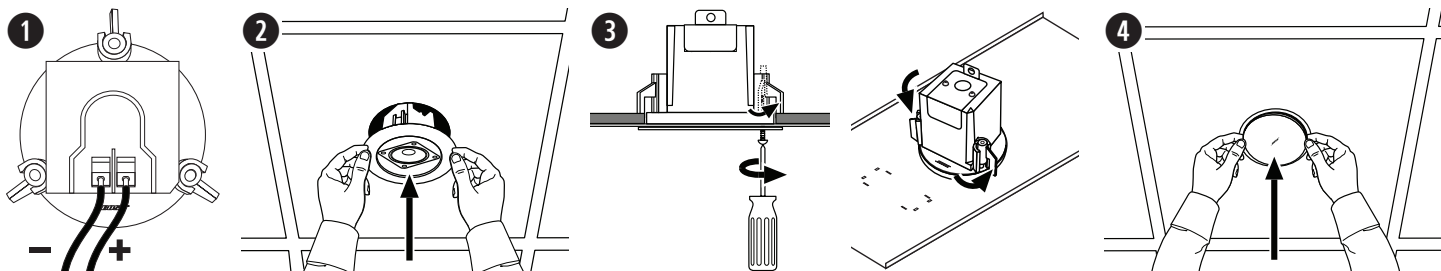
嵌入式安裝衛星揚聲器

1. 請確定所有揚聲器的接線連線均已完成。如需瞭解配線資訊，請參閱「揚聲器接線」(第 87 頁)。
2. 將揚聲器穿過孔洞，並置入天花板跨橋板或放樣板中。持續使揚聲器保持定位。
3. 鎖緊錨座支臂螺絲以固定揚聲器。如果使用電動工具，請調整為低扭力設定。在放開揚聲器之前，請務必確認所有的錨座均已鎖緊。



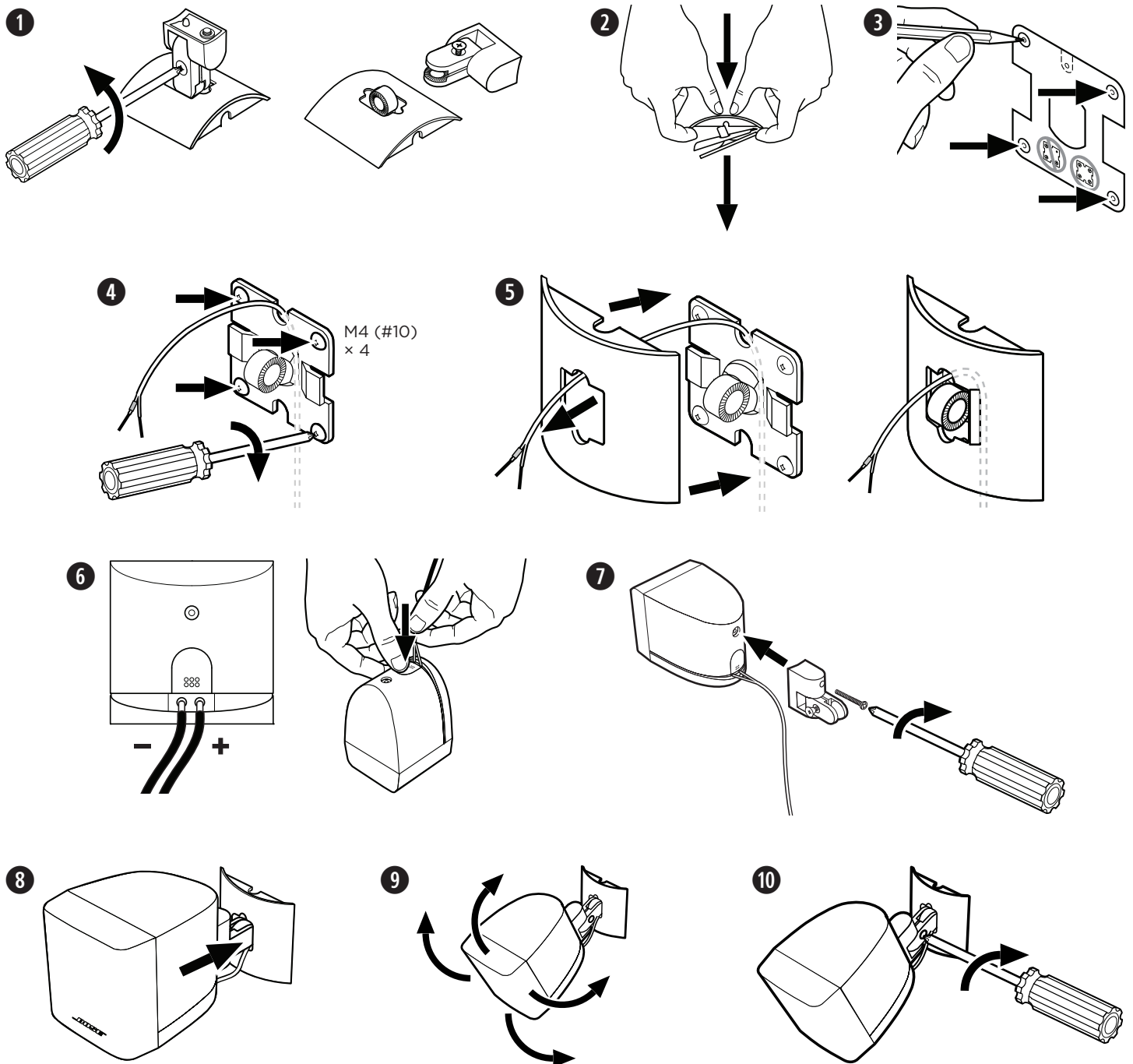
警告： 螺絲過度鎖緊可能會對錨座安裝點或天花板造成損壞，進而導致墜落危險。

4. 請使用雙手將網罩對準揚聲器。將網罩對著揚聲器輕推，以固定網罩。



面裝衛星揚聲器

1. 鬆開將揚聲器支臂連接至壁掛支架的螺絲，並使兩者分離。
2. 使後方蓋板與壁掛支架保護蓋分離。
3. 使用定位卡在牆面上標示出全部四個螺絲孔的中心。
4. 插入四枚 M4 (#10) 螺絲，將壁掛支架安裝板固定於牆面。確保揚聲器接線從牆面伸出的位置點，與安裝板的凹口對齊。
5. 重新將壁掛支架保護蓋裝回安裝板，將揚聲器接線穿過壁掛支架保護蓋的中心孔洞。
6. 將接線連線至揚聲器。如需瞭解配線資訊，請參閱「揚聲器接線」(第 87 頁)。
7. 使用隨附的螺絲，將揚聲器支臂安裝至揚聲器後面板的螺絲吊點。
8. 藉由對齊旋轉接頭的兩個部分(即步驟 1 中分離的部分)，將揚聲器支臂安置於壁掛支架上。
9. 依需求調整揚聲器的垂直與水平角度。
10. 將螺絲(即步驟 1 中拆下的螺絲)裝入旋轉接頭。鎖緊螺絲，依需求角度將揚聲器固定於壁掛支架。




安全上の留意項目および使用方法をよく読み、いつでも参照できるように保管してください。

本製品は、専門の施工業者による設置のみを想定した製品です。本書は、一般的な固定設置システムにおける本製品を対象に、基本的な設置と安全上のガイドラインを施工業者様に提供します。設置する前に、本書とすべての安全に関する警告をお読みください。

ご自身で製品を修理しないでください。修理が必要な際には、正規サービスセンター、ボーズ認定の施工業者、技術者、ディーラーまたはディストリビューターにお問い合わせください。Bose Professionalに連絡する、またはお近くのディーラーまたはディストリビューターを検索するには、PRO.BOSE.COMにアクセスしてください。

- このガイドをよくお読みください。
- 必要な時にご覧になれるよう、本書を保管してください。
- すべての注意事項に留意してください。
- すべての指示に従ってください。
- この製品を水の近くで使用しないでください。
- 清掃の際は乾いた布を使用してください。
- 通気孔は塞がないでください。製造元の指示に従って設置してください。
- ラジエーター、暖房送風口、ストーブ、その他の熱を発生する装置(アンプを含む)の近くには設置しないでください。
- 必ず製造元より指定された付属品、あるいはアクセサリのみをご使用ください。



警告/注意

本製品には磁性材料が含まれています。体内に埋め込まれている医療機器への影響については、医師にご相談ください。

- ボーズ製品を設置する際は、必ず地域と業界指導の安全基準に従ってください。各地域の建築に関する条例や規制など、適用される全ての法律に従って本製品およびそのマウントシステムを設置することは施工業者の責任です。本製品を設置する前に、各地域の管轄官庁に相談してください。
- 重量物の不安定な設置や頭上吊り下げは、重傷または死亡、および設備機器等への損傷の原因となる可能性があります。適用する設置方法の信頼性を評価することは、施工業者の責任です。適切な部品および安全な設置技術の知識を持つ専門の施工業者のみが、天井へのスピーカーの設置を行うことができます。
- 結露や水に晒される場所に本体を設置しないでください。
- この製品は屋内の水を使用するエリア(屋内プール、屋内ウォーターパーク、浴室、サウナ、スチームサウナ、屋内スケートリンクなど)での設置または使用を意図していません。
- 設置面の強度が不十分な場合や、設置面の裏側に電線や配管などが隠れている場合は、本製品を設置しないでください。ブラケットの取り付け方法がわからない場合は、専門業者に作業を依頼してください。
- 本体付属またはボーズ指定の取り付け部品およびアクセサリのみをご使用ください。取り付けブラケットを取り付け面に固定するための器具は付属していません。使用可能なアクセサリの詳細については、PRO.BOSE.COMに用意されている本製品のテクニカルデータシートを参照してください。
- 暖炉、ヒーター、暖房送風口、その他の熱を発生する装置(アンプを含む)の近くに製品を設置しないでください。
- 火気や熱源などの近くで使用しないでください。火の付いたろうそくなどの火気を、製品の上や近くに置かないでください。
- 許可なく製品を改造しないでください。
- スピーカーや取り付けコンポーネントを、潤滑剤、洗浄剤、接点復活剤、およびその他の炭化水素を基剤とする溶剤などを含む、ボーズ指定以外の化学物質にさらさないでください。製品がこうした物質に触れると、プラスチック素材の劣化につながり、ひび割れが生じて落下事故を招くおそれがあります。
- スピーカーの汚れ落としには、必ず乾いた布をお使いください。スピーカーを石けん、洗剤、鉱油、アルコールなどの洗浄剤、化学物質に触れる可能性がある場所で使用しないでください。


仕様

	入力電圧	インピーダンス	電流またはパワー
Series II Acoustimass Bass Module	70V/100V	6Ωモノ、ダイレクト(トランスバイパス時)	25W、50W、100W、200W
Flush-mount Satellites	該当なし	6Ω	該当なし
Surface-mount Satellites	該当なし	6Ω/チャンネル(4サテライトシステム)、5Ω/チャンネル(2サテライトシステム)	該当なし

規制に関する情報

CE This product conforms to all applicable EU directive requirements. The complete declaration of conformity can be found at: www.Bose.com/compliance.

UK CA この製品は、すべての適用される電磁両立規則2016およびその他のすべての適用される英国の規制に準拠しています。完全な適合宣言書については、次のサイトを参照してください。
www.Bose.com/compliance

 This symbol means the product must not be discarded as household waste, and should be delivered to an appropriate collection facility for recycling. Proper disposal and recycling helps protect natural resources, human health and the environment. For more information on disposal and recycling of this product, contact your local municipality, disposal service, or the shop where you bought this product.

中国で制限されている有害/危険物質一覧

有害/危険物質または成分の名称および含有に関する情報						
有害/危険物質および成分						
各部の名称	鉛 (Pb)	水銀 (Hg)	カドミウム (Cd)	六価クロム (Cr(VI))	ポリ臭化ビフェニル (PBB)	ポリ臭化ジフェニルエーテル (PBDE)
基板	X	0	0	0	0	0
金属部分	X	0	0	0	0	0
プラスチック部分	0	0	0	0	0	0
スピーカー	X	0	0	0	0	0
ケーブル	X	0	0	0	0	0

この表は、SJ/T 11364の規格に沿うように作成されています。
0: 該当部分のすべての素材に含まれる有害/危険物質がGB/T 26572の制限要件を下回っていることを示します。
X: このパーツに使用されている1種類以上の均質物質に含まれている当該有害/有害物質が、GB/T 26572の制限要件を上回っていることを示します。

台湾で制限されている有害/危険物質一覧

機器名:	型番:
FreeSpace 3 Series II Acoustimass Bass Module	040147、040148
FreeSpace 3 Flush-mount Satellites	040150、040149
FreeSpace 3 Surface-mount Satellites	040144、040143

制限される物質および化学記号						
ユニット	鉛 (Pb)	水銀 (Hg)	カドミウム (Cd)	六価クロム (Cr+6)	ポリ臭化ビフェニル (PBB)	ポリ臭化ジフェニルエーテル (PBDE)
基板	-	0	0	0	0	0
金属部分	-	0	0	0	0	0
プラスチック部分	0	0	0	0	0	0
スピーカー	-	0	0	0	0	0
ケーブル	-	0	0	0	0	0

注1: 「0」は制限物質の含有率が存在の基準値の比率を超過していないことを示します。
注2: 「-」は制限物質が除外の対象であることを示します。

製造日: シリアル番号の8桁目の数字は製造年を表します。「7」は2007年または2017年です。

中国における輸入元: Bose Electronics (Shanghai) Company Limited, Level 6, Tower D, No. 2337 Gudai Rd. Minhang District, Shanghai 201100

英国における輸入元: Bose Limited, Bose House, Quayside Chatham Maritime, Chatham, Kent, ME4 4QZ, United Kingdom

EUにおける輸入元: Bose Products B.V., Gorslaan 60, 1441 RG Purmerend, The Netherlands

メキシコにおける輸入元: Bose de México, S. de R.L. de C.V., Paseo de las Palmas 405-204, Lomas de Chapultepec, 11000 México, D.F.輸入元およびサポート情報: +5255(5202) 3545

台湾における輸入元: Bose Taiwan Branch, 9F-A1, No. 10, Section 3, Minsheng East Road, Taipei City 104, Taiwan. Phone Number: +886-2-2514 7676

Bose Corporation Headquarters: 1-877-230-5639

BOSE, Acoustimass, DesignMax, FreeSpace、およびPanarayは、Bose Corporationの登録商標です。

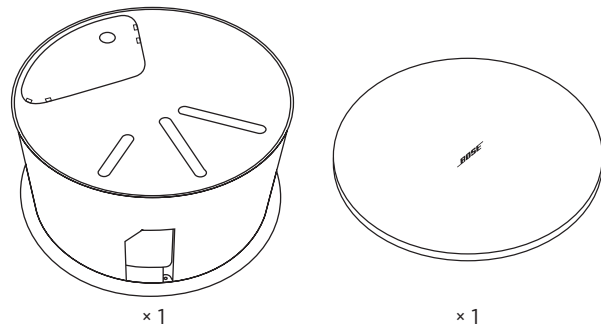
©2022 Bose Corporation.本書のいかなる部分も、書面による事前の許可のない複製、変更、配布、その他の使用は許可されません。

保証情報

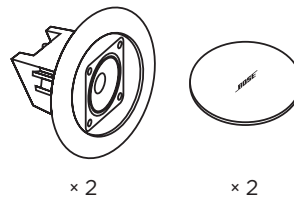
保証の内容および条件につきましては、付属の保証書をご覧ください。保証の詳細については、PRO.BOSE.COMをご覧ください。

パッケージ内容

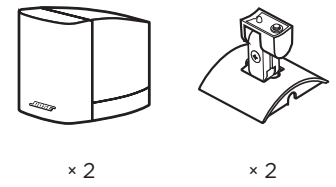
Series II Acoustimass Bass Module



Flush-mount Satellites

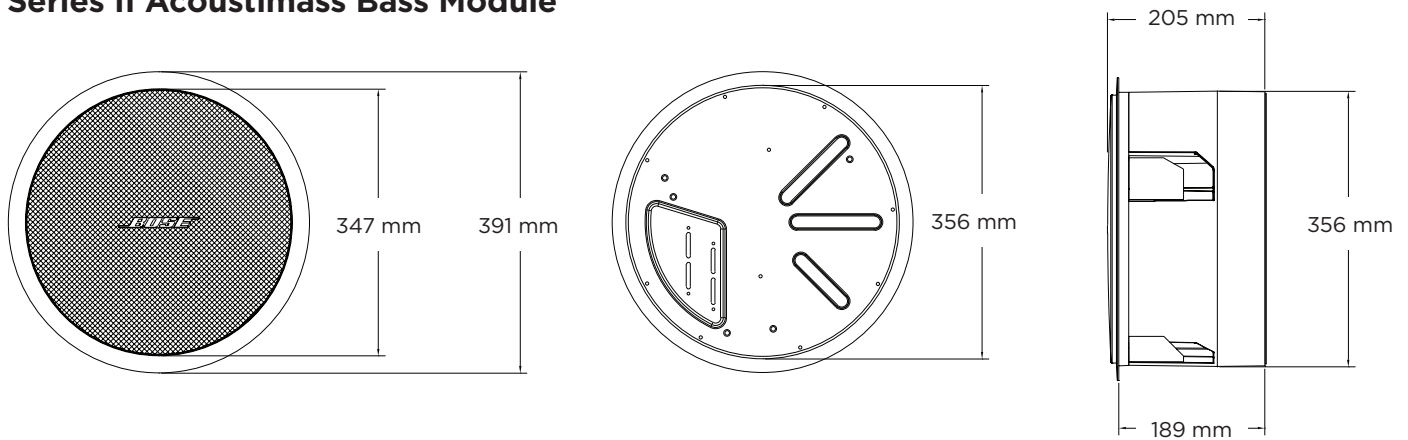


Surface-mount Satellites

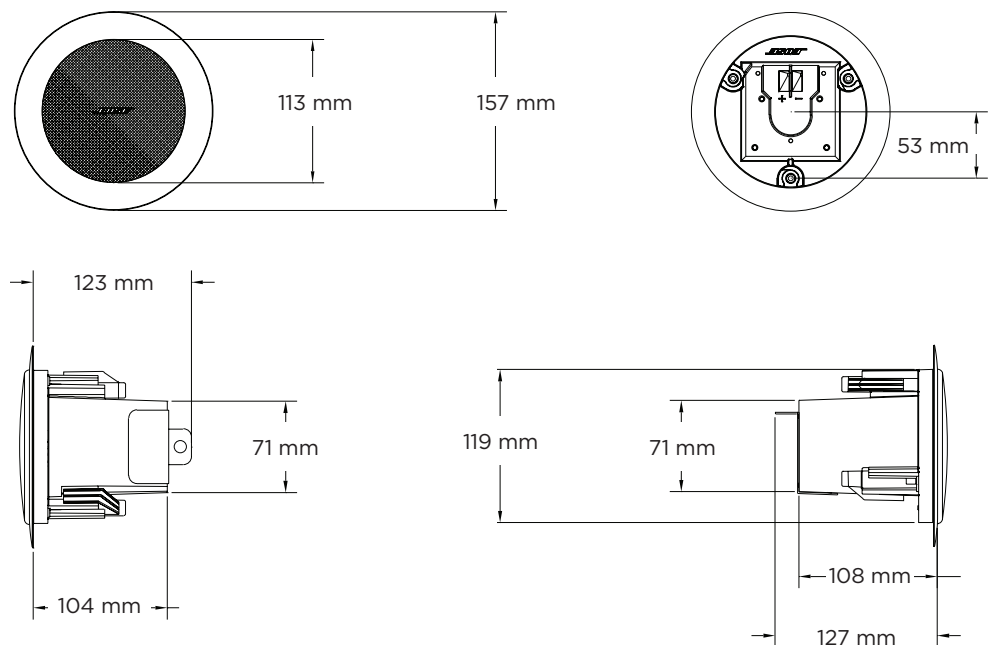


製品寸法

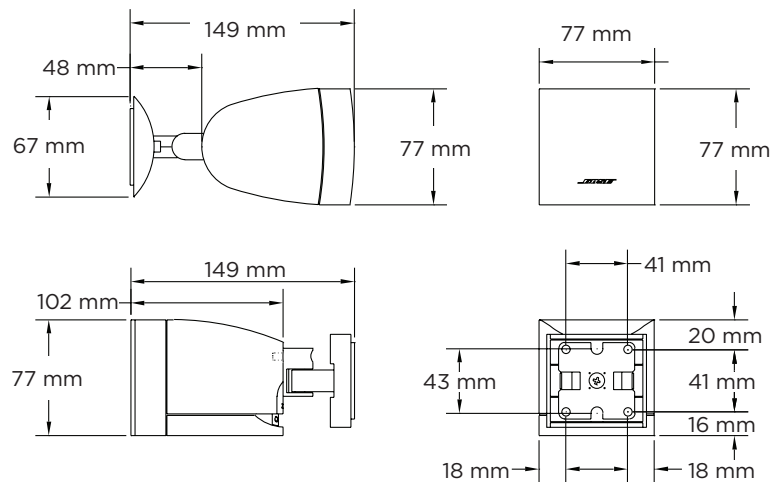
Series II Acoustimass Bass Module



Flush-mount Satellites



Surface-mount Satellites



技術仕様

FreeSpaceスピーカーの仕様、設置ガイド、および技術情報については、bosepro.link/freespaceをご覧ください。

	Series II Acoustimass Bass Module	Flush-mount Satellites	Surface-mount Satellites
製品寸法			
高さ × 幅	391 mm (外部フランジ直径)	157 mm (外部フランジ直径)	77 × 77 mm
奥行き	190 mm	123 mm	ブラケット非使用時: 102 mm ブラケット使用時: 149 mm
天井寸法			
開口部直径	362 mm	127 mm	該当なし
最大対応板厚	48 mm	38 mm	該当なし
質量			
総重量	約6.4 kg	約0.9 kg	約0.8 kg
梱包質量	約9.1 kg	約2.3 kg	約1.8 kg

安全上のコンプライアンス

Bose Freespace-3 Series II Acoustimass ModuleおよびFlush-mount Satellitesは安全性について次のようにULのリストに掲載されています。

一般用途スピーカー／UL1480、UL Category UEAY、File Number S 5591

湿気のある屋内での使用に対応

NFPA 70、米国電気規格 (2002年、第640条) に準拠したクラス1、クラス2、クラス3の配線による設置に対応

空調 (プレナム) 空間内での使用に対応 (PC-FS3B / PC-FS3Fプレナムカバーアクセサリ使用時):

UL-2043、Fire Test and Visible Smoke Release for Discrete Products and their Accessories Installed in Air Handling Spaces

NFPA-70、米国電気工事規格、2002年、第300.22 (C) 条

NFPA 90A、2002年、Installation of Air Conditioning and Ventilation Systems、第4.3.10.2.6.5節

このガイドで説明されているBose Freespace 3 Surface-mount Satellitesは、ULのリストには準拠されていません。



設置に関する重要な情報



各地域の建築に関する条例や規制など、適用される全ての法律に従って本製品およびそのマウントシステムを設置することは施工業者の責任です。本製品を設置する前に、各地域の管轄官庁に相談してください。

スピーカー設置時の安全確保は、施工業者の責任で実施してください。スピーカーの設置が不適切だった場合、損傷、人身への傷害、死亡事故等の原因となるおそれがあります。

結露や水に晒される場所に本体を設置しないでください。

この製品は屋内の水を使用するエリア（屋内プール、屋内ウォーターパーク、浴室、サウナ、スチームサウナ、屋内スケートリンクなど）での設置または使用を意図していません。

通気孔は塞がないでください。製造元の指示に従って設置してください。

ラジエータ、暖房送風口、ストーブ、その他の熱を発生する装置（アンプを含む）の近くには設置しないでください。火気や熱源などの近くで使用しないでください。火の付いたろうそくなどの火気を、製品の上や近くに置かないでください。

設置面の強度が不十分な場合や、設置面の裏側に電線や配管などの危険物が隠れている場合は、本製品を設置しないでください。ブラケットの取り付け方法がわからない場合は、専門業者に作業を依頼してください。ブラケットを取り付ける際は、建築関連法規に従ってください。

本スピーカーを取り付け面に固定するための器具は付属していません。スピーカーを設置する前に、適切な取り付け器具について建築の専門業者に相談してください。

スピーカーや取り付けコンポーネントを、潤滑剤、洗浄剤、接点復活剤、およびその他の炭化水素を基剤とする溶剤などを含む、ボーズ指定以外の化学物質にさらさないでください。製品がこうした物質に触れると、プラスチック素材の劣化につながり、ひび割れが生じて落下事故を招くおそれがあります。

設置オプション

Series II Acoustimass Bass Module

必須

- ① FreeSpace 3BF Bass Loudspeaker ラフィンパン
または
- ② FreeSpace 3BF Bass Loudspeaker タイルブリッジ

オプション

- ③ FreeSpace 3BF Bass Loudspeaker ペンダントマウントキット
- ④ FreeSpace 3BF Bass Loudspeaker 露出型マウントキット
- ⑤ FreeSpace 3BF Bass Loudspeaker プレナムカバー
- ⑥ FreeSpace オムニペンダントマウントキット

Flush-mount Satellites

必須

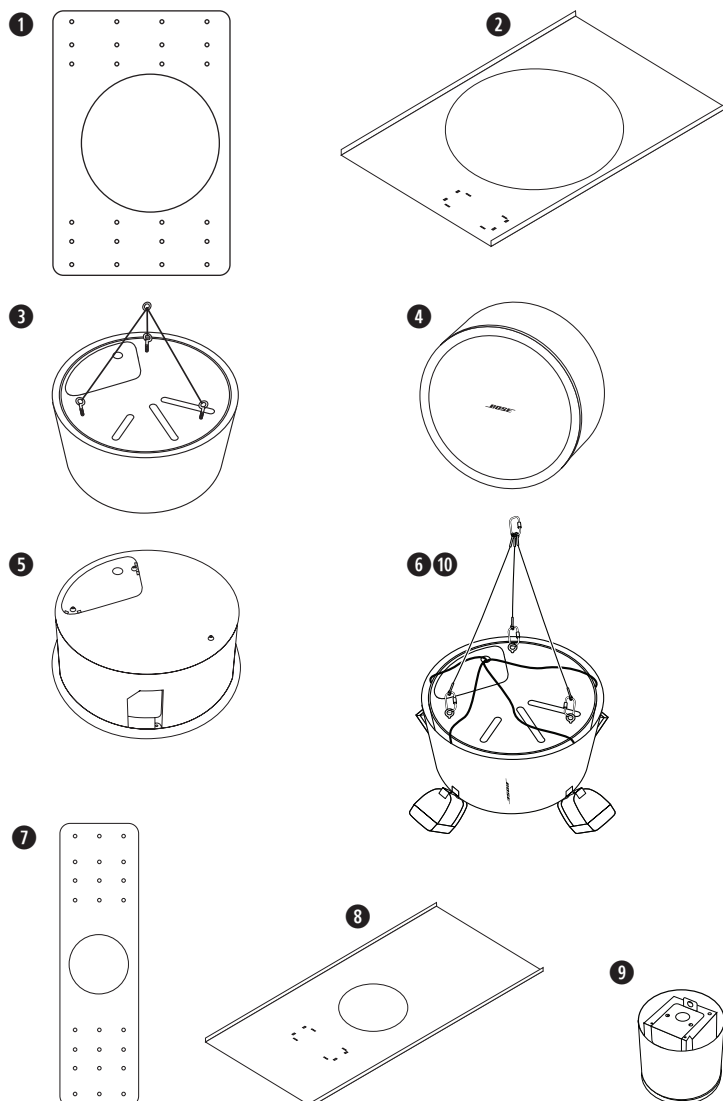
- ⑦ FreeSpace 3F Satellite Loudspeaker ラフィンパン
または
- ⑧ FreeSpace 3F Satellite Loudspeaker タイルブリッジ

オプション

- ⑨ FreeSpace 3F Satellite Loudspeaker コスメティックカバー

Surface-mount Satellites

- ⑩ FreeSpace オムニペンダントマウントキット



スピーカーの配線

ケーブルゲージ

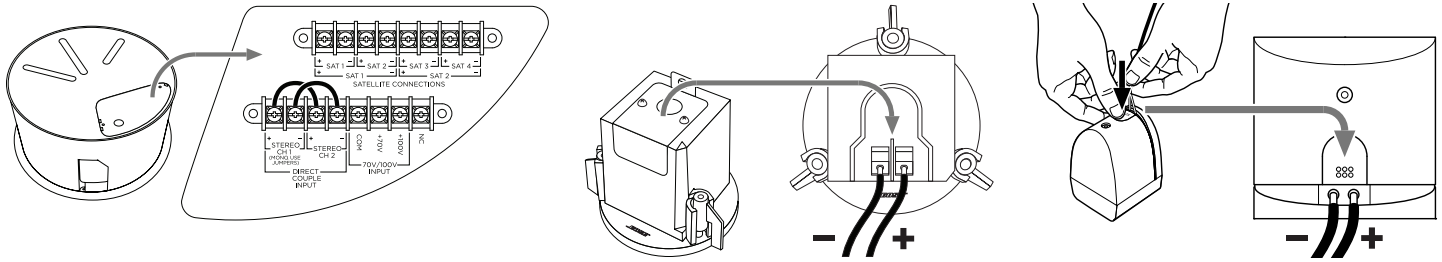
FreeSpace 3スピーカーで使用できるケーブル径は、18 AWG (0.8 mm²) ~ 14 AWG (2.1 mm²)のみです。

配線ターミナル

Series II Acoustimass bass module: リアカバープレートを取り外すと、配線ターミナルがあります。配線が完了したら、リアカバープレートを再度取り付けます。

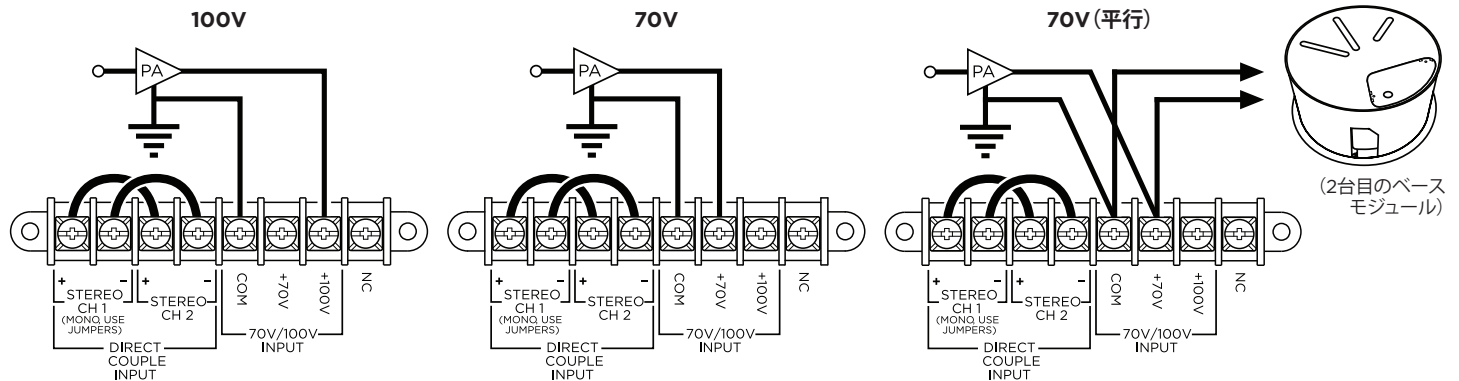
Flush-mount Satellites: リアカバープレートを取り外すと、配線ターミナルがあります。配線が完了したら、リアカバープレートを再度取り付けます。

Surface-mount Satellites: リアパネルのボタンを押しながら、ケーブルを最後までしっかり挿入します。



アンプ出力の接続

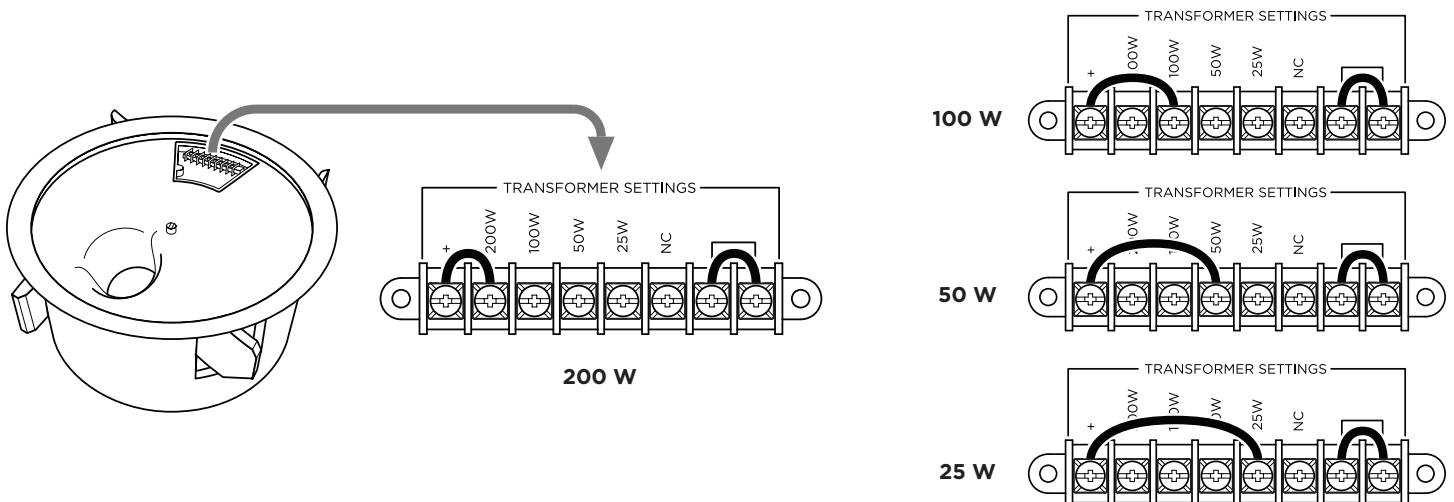
注意: すべての配線を完了してから、アンプを電源に接続し、電源投入してください。



トランスタップの設定

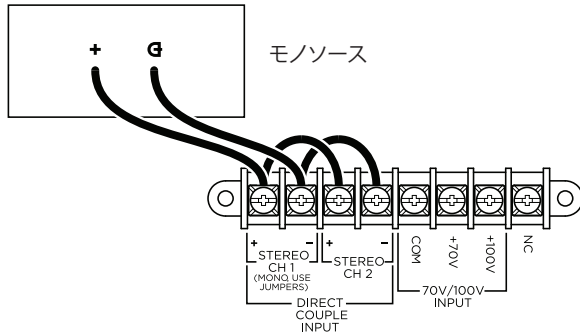
トランスタップの設定は、工場出荷時に200Wでの動作に設定されています。低いワット数に設定するには、200Wのターミナルに接続されている+のジャンパー線を取り外し、100W、50W、または25Wの適切なタップに再度取り付けます。

注: ジャンパー線は70V/100Vでの動作時には必須です。6Ωでの動作時(トランスバイパス/ダイレクト)は、両方のジャンパー線を取り外してください。



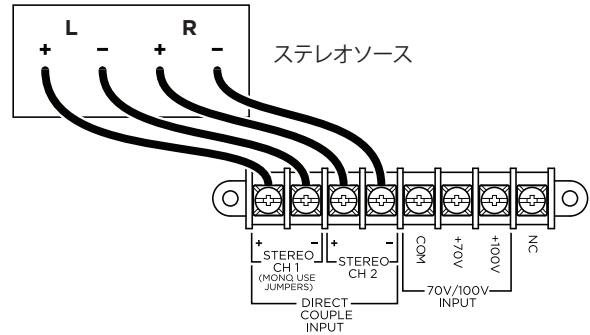
トランスバイパス(ダイレクトモノ)

トランスをバイパスし、スピーカーを4Ωでの動作およびモノ音声入力の仕様にするには、スピーカーの前面にあるトランス設定の2つのジャンパーを取り外します。スピーカーの背面にあるCH1およびCH2の入力ジャンパーはそのままにしておきます。



トランスバイパス(ダイレクトステレオ)

トランスをバイパスし、スピーカーを6Ωでの動作およびステレオ音声入力の仕様にするには、すべてのジャンパー線を取り外します。



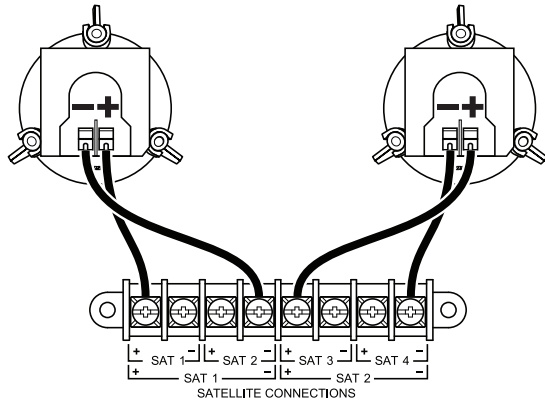
サテライトスピーカーの接続

注意: FreeSpace 3 satellite loudspeaker以外のスピーカーをモジュールに直接接続しないでください。

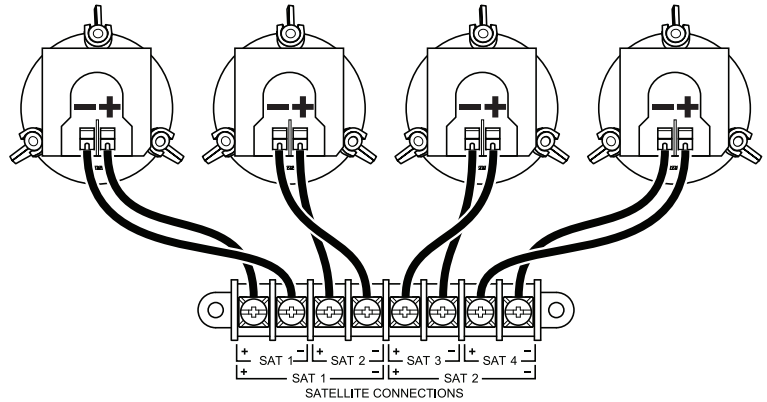
FreeSpace 3 Series II Acoustimass bass moduleをFreeSpace 3 Flush-mount Satellites / Surface-mount Satellitesに接続します(このページでは、Series II Acoustimass moduleはFlush-mount Satellitesに接続されています。Surface-mount SatellitesをFlush-mount Satellitesの各モデルに置き換えることができます。ただし、正しい極性で接続する必要があります)。

FreeSpace 3 Series II Acoustimass moduleは、FreeSpace、DesignMax、Polarayモジュールなどの他のボーズスピーカーと組み合わせて使用することができます。この場合は、個別のチャンネルを使用して、スピーカーとモジュールの両方をアンプに直接接続します。他のすべてのスピーカーに対して、適切なバンドパスフィルターおよび/または推奨EQ(利用可能な場合)を適用していることを確認してください。各モデルの技術データシートを参照するには、**PRO.BOSE.COM**をご覧ください。

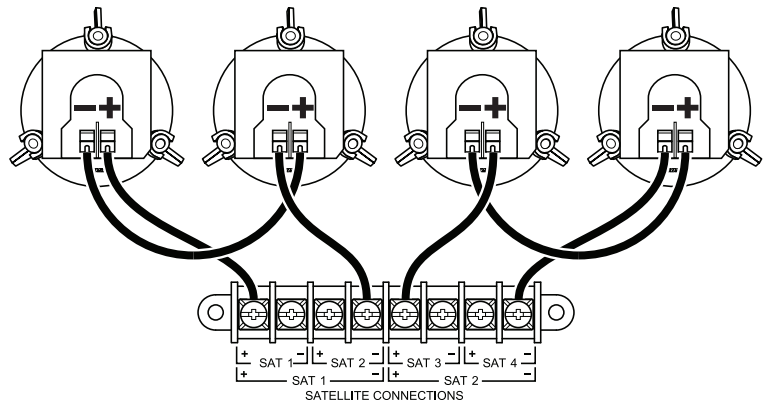
2サテライト



4サテライト



4サテライト(オプション、シリーズ方式)



設置の準備

スピーカーの設置

注: 商業店舗の厨房など、食用油、湯気、揮発物、高熱に直接触れる可能性がある加熱調理スペース近くにスピーカーを設置すると、スピーカーの性能や信頼性が低下することがあります。

安全ケーブルの使用

お住まいの地域により、安全性の強化のため、スピーカーの構造物に対する固定に二次的な方法も用いることが法令により義務づけられている場合があります。適用される建築基準や規制を満たす設置場所や設置方法、器具を選択してください。

Series II Acoustimass bass moduleおよびFlush-mount Satellitesの安全確保のための補助的な器具として、落下防止ワイヤー、安全ケーブルのいずれかの使用をお勧めします。補助的な安全器具をご使用になる際は、製造元の指示に従ってください。

各スピーカーモデルは、1つ以上の取り付けポイントを備えています。

Series II Acoustimass Bass Module リアカバープレートのM6ネジを取り外し、安全ケーブルをそのネジ穴に取り付けます。

Flush-mount Satellites 安全ケーブルをリアカバープレートの金属製のタブの開口部に取り付けます。

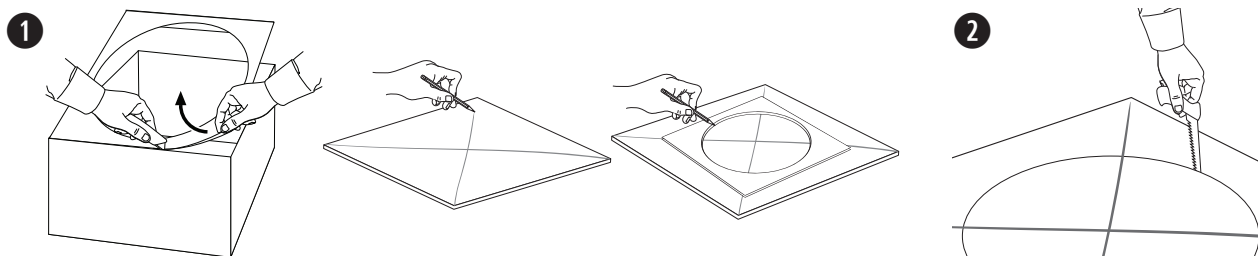
天井とアクセサリーの準備

ベースモジュールやサテライトスピーカーの設置の前に、天井と設置に使用するアクセサリーを準備するには、以下の手順に従います。各スピーカーモデルの必須またはオプションのアクセサリーについては、「**設置オプション**」(95ページ)を参照してください。

タイル天井の準備

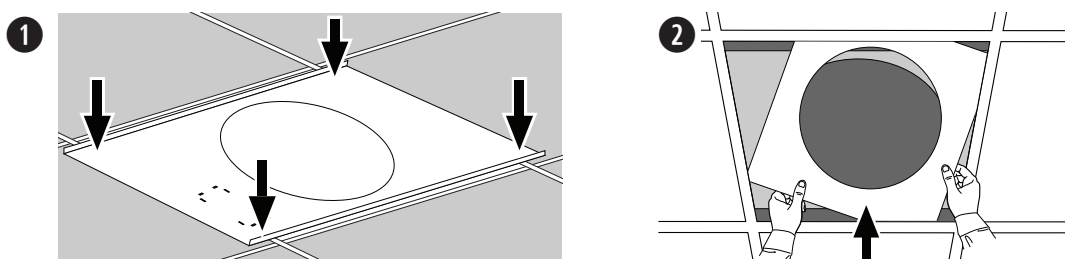
タイル天井を切り抜く

1. タイルを取り外し、テンプレートを使ってスピーカーの穴の位置を示す線をタイルに引きます。タイルの中央にテンプレートを合わせるには、角を対角線で結んで「X」を書き、交点を使います。
2. タイルに穴を開けます。



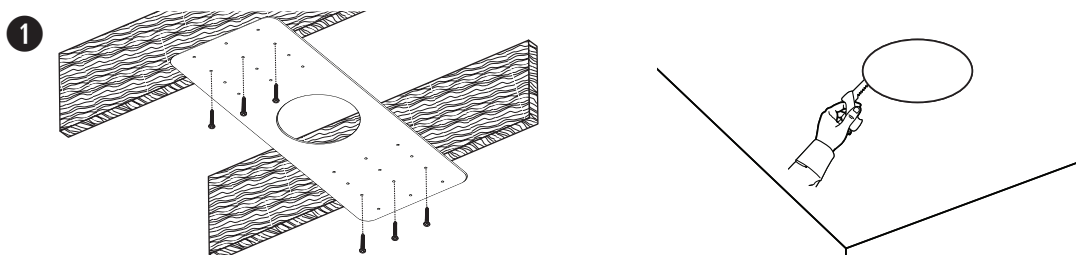
タイルブリッジを設置する

1. タイルブリッジを天井グリッドに渡します。必要に応じてタイルブリッジを調節して、レールが天井のグリッドにしっかり引っかかるようにします。
2. タイルを天井に戻します。



ラフィンパンを使用して新築の硬い天井に設置の準備をする

1. 天井のさんや木製のスタッドにラフィンパンを取り付けます。ラフィンパンには事前に穴が空けられており、サイズの異なるネジを使用したり、スピーカーの向きや設置位置を調整することができます。
2. 天井が完成した後で、ラフィンパンをガイドにしながら、天井に穴を開けます。



スピーカーの取り付け

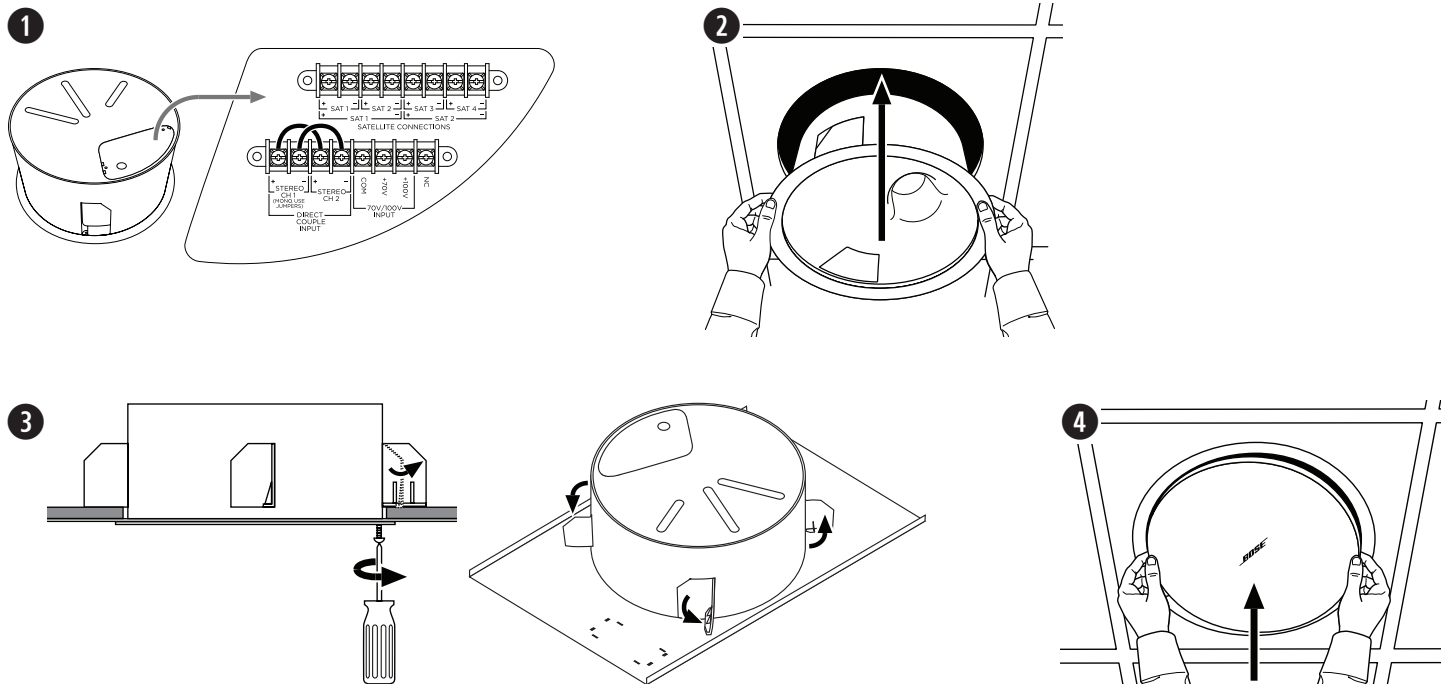
Series II Acoustimass Bass Module

1. すべてのスピーカーの配線が完了していることを確認してください。配線について詳しくは、「スピーカーの配線」(96ページ)を参照してください。
2. スピーカーを穴に通し、タイルブリッジまたはラフィンパンに挿入します。スピーカーを所定の位置に保持します。
3. アンカーアームのネジを締めてスピーカーを固定します。電動ドリルを使用する場合、トルクを低速に設定してください。スピーカーから手を放す前に、すべてのアンカーが締まっていることを確認してください。



警告: ネジを強く締めすぎると、アンカーの取り付けポイントや天井が壊れて、落下事故を招くおそれがあります。

4. 両手を使って、スピーカーにグリルを取り付けます。スピーカーに向けてグリルを慎重に押し、グリルを固定します。グリルを固定する際に、ロゴを回転させることができます。



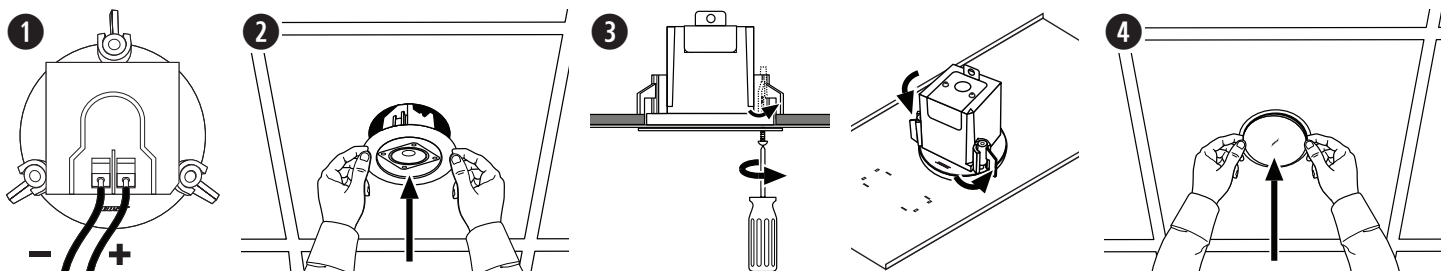
Flush-mount Satellites

1. すべてのスピーカーの配線が完了していることを確認してください。配線について詳しくは、「スピーカーの配線」(96ページ)を参照してください。
2. スピーカーを穴に通し、タイルブリッジまたはラフィンパンに挿入します。スピーカーを所定の位置に保持します。
3. アンカーアームのネジを締めてスピーカーを固定します。電動ドリルを使用する場合、トルクを低速に設定してください。スピーカーから手を放す前に、すべてのアンカーが締まっていることを確認してください。



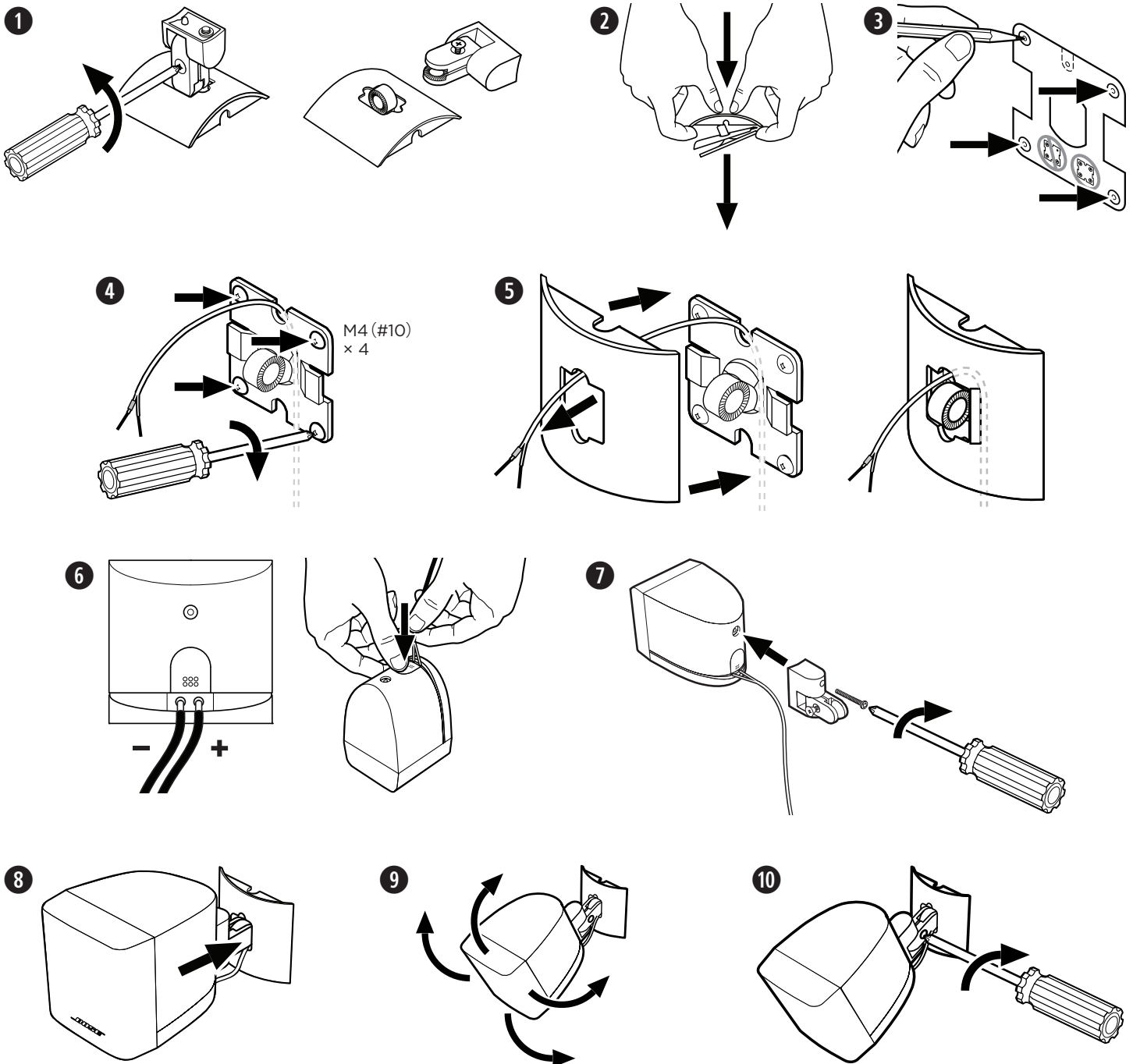
警告: ネジを強く締めすぎると、アンカーの取り付けポイントや天井が壊れて、落下事故を招くおそれがあります。

4. 両手を使って、スピーカーにグリルを取り付けます。スピーカーに向けてグリルを慎重に押し、グリルを固定します。



Surface-mount Satellites

1. スピーカーアームと壁掛けブラケットを接続しているネジを緩め、2つの部品を分離します。
2. 壁掛けブラケットのカバーからリアプレートを取り外します。
3. テンプレートを 사용하여、壁に4つのネジ穴すべての中心に印を付けます。
4. M4 (#10) ネジ × 4 を挿入し、壁掛けブラケットのプレートを壁に取り付けます。壁から出ているスピーカーケーブルの位置とプレートの溝の位置が合っていることを確認してください。
5. 壁掛けブラケットカバーをプレートに再度取り付け、スピーカーケーブルをカバーの中央の穴に通します。
6. スピーカーにケーブルを接続します。配線について詳しくは、「[スピーカーの配線](#)」(96ページ)を参照してください。
7. 付属のネジを使用して、スピーカーアームをスピーカーのリアパネルのネジ穴に取り付けます。
8. 手順1で分離した回転式ジョイントのスピーカーアームを壁掛けブラケットの上に再度配置し、位置を合わせます。
9. 必要に応じてスピーカーの垂直および水平角度を調整します。
10. 回転式ジョイントに、手順1で取り外したネジを挿入します。ネジを締め、スピーカーを目的の角度で壁掛けブラケットに固定します。



يُرجى قراءة كل إرشادات السلامة والاستخدام والاحتفاظ بها.

هذا المنتج مصمم للتركيب بواسطة فنيي التركيب المتخصصين فقط! يهدف هذا المستند إلى تزويد فنيي التركيب المحترفين بإرشادات التركيب والسلامة الأساسية لهذا المنتج في أنظمة التركيب الثابت النموذجية. يُرجى قراءة هذا المستند وكل تحذيرات السلامة قبل محاولة التركيب.

لا تحاول صيانة هذا الجهاز بنفسك، بل قم بإحالة جميع أعمال الصيانة إلى مراكز الخدمات أو متخصصي التركيب أو الفنيين أو الوكلاء أو الموزعين المعتمدين. للتواصل مع خبير من Bose أو للعثور على وكيل أو موزع بالقرب منك، تفضل بزيارة موقع الويب **PRO.BOSE.COM**.

1. اقرأ هذه الإرشادات.
2. احتفظ بهذه الإرشادات.
3. انتبه إلى كل التحذيرات.
4. اتبع كل الإرشادات.
5. لا تستخدم هذا الجهاز بالقرب من الماء.
6. لا تستخدم سوى قطعة قماش جافة لتنظيف الجهاز.
7. لا تقم بسد أي فتحات للتبوية. ركب المنتج وفقاً لإرشادات الشركة المُصنِّعة.
8. لا تتركب المنتج بالقرب من أي مصادر للحرارة، مثل أجهزة التدفئة أو فتحات التدفئة أو المواقد أو غيرها من الأجهزة (بما في ذلك مضخات الصوت) التي ينتج عنها حرارة.
9. لا تستخدم سوى المرفقات/الملحقات التي تحددها الشركة المُصنِّعة.

المعلومات التنظيمية

يتوافق هذا المنتج مع كل متطلبات توجيه الاتحاد الأوروبي المعمول بها. ويمكنك العثور على البيان الكامل للتوافق على: www.Bose.com/compliance.



يتوافق هذا المنتج مع جميع لوائح التوافق الكهرومغناطيسي المعمول بها لعام 2016 وجميع لوائح المملكة المتحدة الأخرى المعمول بها. ويمكن العثور على إعلان المطابقة الكامل في الموقع التالي: www.Bose.com/compliance



يشير هذا الرمز إلى أنه يجب عدم التخلص من المنتج مع النفايات المنزلية ويجب تسليمه إلى منشأة مناسبة لجمع النفايات بهدف إعادة تدويره. ويساعد التخلص السليم وإعادة التدوير في حماية الموارد الطبيعية وصحة الإنسان والبيئة. للحصول على مزيد من المعلومات حول التخلص من هذا المنتج وإعادة تدويره، اتصل بالبلدية المحلية أو خدمة التخلص من النفايات أو المتجر الذي اشتريته منه هذا المنتج.

جدول المواد الخطرة المحظور استخدامها بالصين

أسماء ومحتويات المواد والعناصر السامة أو الخطرة						
المواد والعناصر السامة أو الخطرة						
اسم الجزء	الرصاص (Pb)	الزئبق (Hg)	الكاديوم (Cd)	سداسي الكروم (Cr(VI))	ثنائي الفينيل ثنائي الفينيل الممعالج بالبروم (PBDE)	ثنائي الفينيل الممعالج بالبروم (PBB)
لوحات الدوائر المطبوعة (PCBs)	X	O	O	O	O	O
الأجزاء المعدنية	X	O	O	O	O	O
الأجزاء البلاستيكية	O	O	O	O	O	O
السماعات	X	O	O	O	O	O
الكبلات	X	O	O	O	O	O

تم إعداد هذا الجدول وفقاً لأحكام معيار SJ/T 11364.

O: يشير إلى أن هذه المادة السامة أو الخطرة الموجودة في كل المواد المتجانسة لهذا الجزء أقل من متطلبات تقييد معيار GB/T 26572.

X: يشير إلى أن هذه المادة السامة أو الخطرة الموجودة على الأقل في إحدى المواد المتجانسة لهذا الجزء أعلى من متطلبات تقييد معيار GB/T 26572.

جدول المواد الخطرة المحظور استخدامها في تايوان

اسم الجهاز:						
تخصيص النوع:						
وحدة صوت باس Acoustimass السلسلة 3 FreeSpace II						
مكبرات الصوت الصغيرة المركبة على مستوى الحائط 3 FreeSpace						
مكبرات الصوت الصغيرة المركبة على السطح 3 FreeSpace						
المواد المحظورة والرموز الكيميائية لها						
الوحدة	الرصاص (Pb)	الزئبق (Hg)	الكاديوم (Cd)	الكروم سداسي التكافؤ (Cr(VI))	ثنائي الفينيل الممعالج بالبروم (PBB)	ثنائي الفينيل الممعالج بالبروم (PBDE)
لوحات الدوائر المطبوعة (PCBs)	-	O	O	O	O	O
الأجزاء المعدنية	-	O	O	O	O	O
الأجزاء البلاستيكية	O	O	O	O	O	O
مكبرات الصوت	-	O	O	O	O	O
الكبلات	-	O	O	O	O	O

ملاحظة 1: "O" تشير إلى أن النسبة المئوية لمحتوى المادة المحظورة لا تتجاوز النسبة المئوية للقيمة المرجعية الموجودة.

ملاحظة 2: وتشير "-" إلى أن المادة المحظورة تتطابق مع الإغفاء.

تاريخ التصنيع: يشير الرقم الثامن في الرقم التسلسلي إلى سنة التصنيع؛ حيث يشير الرقم "7" إلى 2007 أو 2017.

المستورد في الصين: Bose Electronics (Shanghai) Company Limited • Level 6 • Tower D • No. 2337 Gudai Rd. Minhang District • Shanghai 201100

المستورد في المملكة المتحدة: Bose Limited • Bose House • Quayside Chatham Maritime • Chatham • Kent • ME4 4QZ • United Kingdom

المستورد في الاتحاد الأوروبي: RG Purmerend, The Netherlands 1441, 60 Bose Products B.V., Gorslaan

المستورد في المكسيك: Bose de México, S. de R.L. de C.V., Paseo de las Palmas 405-204, Lomas de Chapultepec, 11000 México, D.F. 3545 (5202) 5255+

المستورد في تايوان: Minsheng East Road, Taipei City, 3, Section 10, No. 9F-A1, Bose Taiwan Branch • Taiwan, رقم الهاتف: +886-2-2514 7676

المقر الرئيسي لشركة Bose: 1-877-230-5639

إن Bose و Acoustimass و DesignMax و FreeSpace هي علامات تجارية لشركة Bose Corporation. يجب عدم نسخ أي جزء من هذا المستند أو حقوق الطباعة والنشر © لعام 2022 لشركة Bose Corporation. وتعديله أو توزيعه أو استخدامه بأي طريقة أخرى من دون إذن خطي مسبق.

معلومات حول الضمان

يأتي هذا المنتج مع ضمان محدود. للحصول على تفاصيل حول الضمان، تفضل بزيارة **PRO.BOSE.COM**.



التحذيرات/التنبيهات



يحتوي هذا المنتج على مادة مغناطيسية. استشر طبيبك لمعرفة ما إذا كان سيؤثر ذلك في أي أجهزة طبية مزروعة في جسمك.



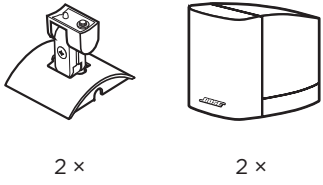
- يجب تركيب كل منتجات Bose وفقاً للوائح المحلية والحكومية والفيديالية والصناعية. يتحمل فني التركيب المتخصص مسؤولية ضمان تنفيذ عملية تركيب مكبرات الصوت ونظام التثبيت بالتوافق مع كل القوانين المعمول بها، بما في ذلك قوانين ولوائح البناء المحلية. يرجى مراجعة السلطات المحلية صاحبة الاختصاص قبل تركيب هذا المنتج.
- قد يتسبب التثبيت أو التعليق العلوي غير الآمن لأي حمل ثقيل بوقوع إصابات خطيرة أو الوفاة، وتلف الممتلكات. وتقع على عاتق فني التركيب مسؤولية تقييم مدى موثوقية أي طريقة تثبيت يتم استخدامها. يجب ألا يحاول تركيب أي مكبرات صوت علوية التعليق إلا فنيي التركيب المحترفين الذين يتمتعون بالمعرفة اللازمة بالمعدات المناسبة وطرق التثبيت الآمنة.
- تجنب تركيب المنتج في مواقع قد يتعرض فيها للماء أو التكاثف.
- هذا المنتج غير مصمم للتركيب أو الاستخدام داخل مرافق المياه في الأماكن المغلقة (بما في ذلك، على سبيل المثال لا الحصر، حمامات السباحة الداخلية والحدائق المائية المغلقة وأحواض الاستحمام الساخنة وغرف الساونا وغرف البخار وحلبات التزلج الداخلية).
- لا تقم بالتركيب على أسطح غير قوية أو توجد خلفها مخاطر خفية، مثل الأسلاك الكهربائية أو أنابيب المياه. إذا لم تكن متأكدًا من كفاءة تركيب الكثيفة، فاتصل بفني تركيب محترف ومؤهل.
- لا تستخدم سوى الجهاز والملحقات المضمنة أو المحددة من قبل Bose. لا يتم إرفاق أجهزة تثبيت كثيفة التثبيت على سطح التركيب. للحصول على معلومات حول الملحقات المتوافقة، راجع ورقة البيانات الفنية الخاصة بالمنتج على **PRO.BOSE.COM**.
- لا تضع المنتج أو تركيبه بالقرب من أي مصدر للحرارة مثل المدافئ أو المواقد أو شبكات التبريد أو ممرات الحرارة أو أي أجهزة أخرى (بما في ذلك مكبرات الصوت) تنتج منها حرارة.
- أبقِ المنتج بعيداً عن مصادر اللهب والحرارة. يجب عدم وضع أية مصادر للهب المكشوف، مثل الشموع المشتعلة، فوق المنتج أو بالقرب منه.
- لا تقم بإجراء أي تعديلات غير مصرح بها على هذا المنتج.
- لا تعرض مكبر الصوت أو مكونات التركيب لأي مواد كيميائية غير التي تحددها شركة Bose، بما في ذلك على سبيل المثال لا الحصر مواد التزييت أو مواد التنظيف أو بخاخات التلامس، أو غيرها من المذيبات ذات القاعدة الهيدروكربونية. فقد يؤدي التعرض لمواد مماثلة إلى تحلل المواد البلاستيكية، مما قد يتسبب بتصدع المنتج في وقت مبكر وبخطر السقوط.
- لا تنظف مكبرات الصوت إلا باستخدام قطعة قماش جافة. ولا تعرض مكبر الصوت للصابون أو المنظفات أو الزيوت المعدنية أو الكحول أو غيرها من مواد التنظيف أو المواد الكيميائية.

تصنيفات المنتج

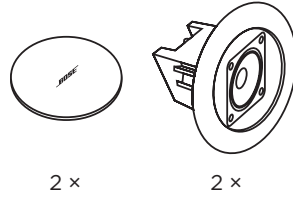
الجهد الكهربائي للدخل	المعاوقة	التيار/الطاقة
70 فولت/100 فولت	6 أوم أحادي مباشر، تجاوز المحوّل	25 واط، 50 واط، 100 واط، 200 واط
غير مطبّق	6 أوم	غير مطبّق
غير مطبّق	6 أوم لكل قناة (نظام مؤلف من 4 مكبرات صوت صغيرة)؛ 5 أوم لكل قناة (نظام مؤلف من مكبري صوت صغيرين)	غير مطبّق

محتويات العبوة

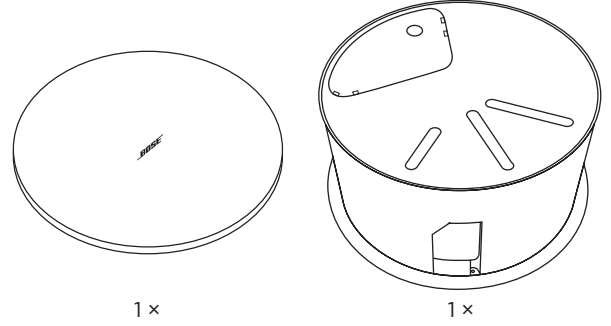
مكبرات الصوت الصغيرة
المركبة على السطح



مكبرات الصوت الصغيرة
المركبة على مستوى الحائط

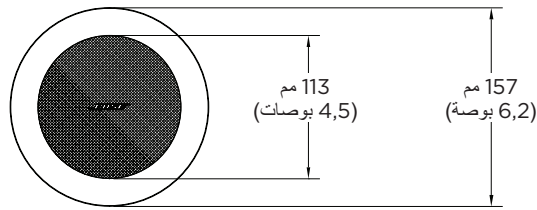
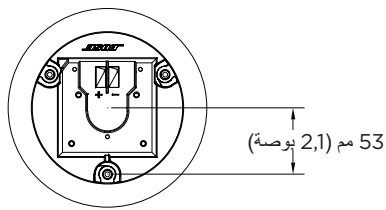
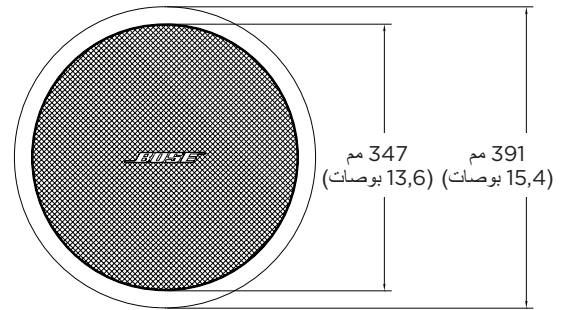
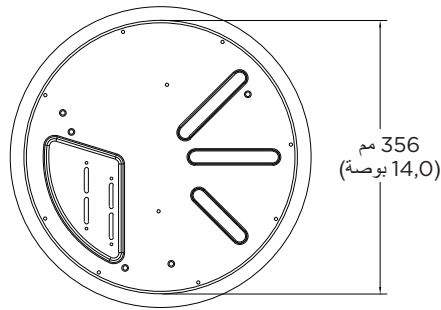
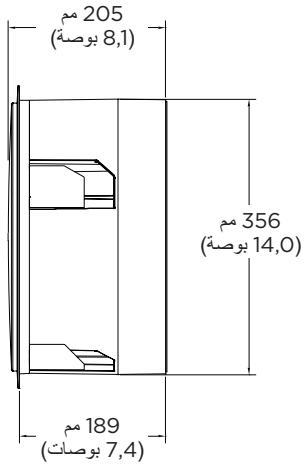


وحدة صوت باس Acoustimass السلسلة II

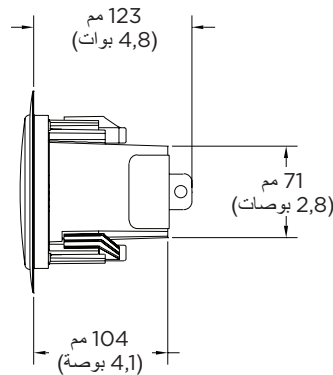
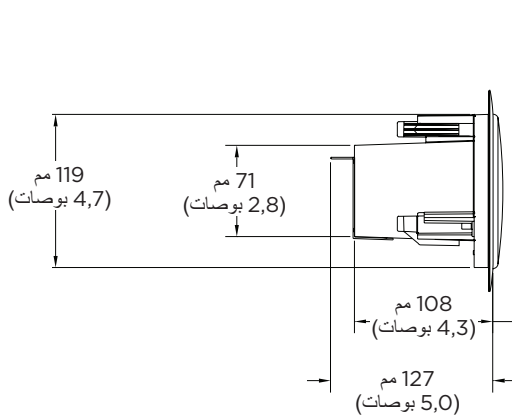


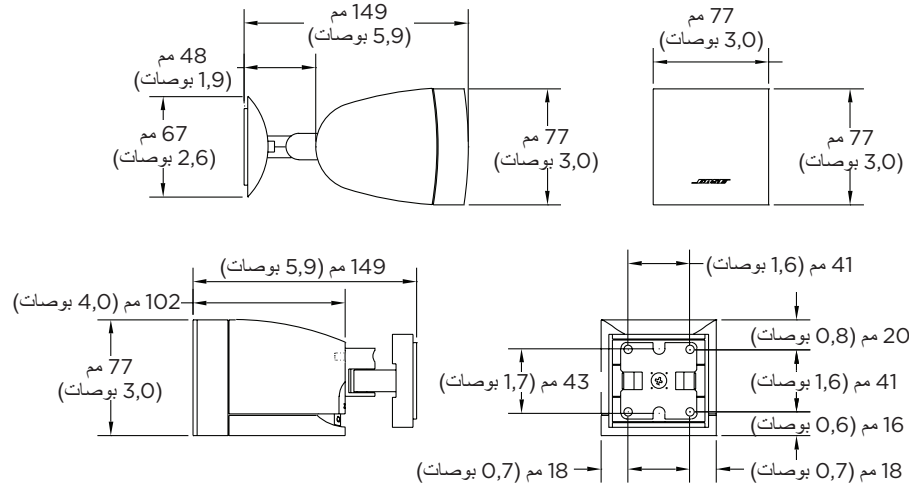
أبعاد المنتج

وحدة صوت باس Acoustimass السلسلة II



مكبرات الصوت الصغيرة
المركبة على مستوى الحائط



مكبرات الصوت الصغيرة
المركبة على السطح

المواصفات الفنية

للحصول على مواصفات وإرشادات ومعلومات فنية إضافية حول مكبر الصوت FreeSpace، تفضل زيارة bosepro.link/freespace.

مكبرات الصوت الصغيرة المركبة على السطح

مكبرات الصوت الصغيرة المركبة على مستوى الحائط

وحدة صوت باس Acoustimass II

أبعاد المنتج

الارتفاع × العرض	391 مم (15,4 بوصة) (قطر الحافة الخارجية)	157 مم (6,2 بوصة) (قطر الحافة الخارجية)	77 × 77 مم (3,0 × 3,0 بوصة)
العمق	190 مم (7,5 بوصة)	123 مم (4,8 بوصة)	من دون كثيفة: 102 مم (4,0 بوصة) مع كثيفة: 149 مم (5,9 بوصة)

أبعاد السقف

قطر الثقب	362 مم (14,3 بوصة)	127 مم (5,0 بوصة)	غير مطبق
السماكة القصوى	48 مم (1,8 بوصة)	38 مم (1,5 بوصة)	غير مطبق

الوزن

الوصافي	6,4 كجم (14,0 رطل)	0,9 كجم (1,9 رطل)	0,8 كجم (1,8 رطل)
الشحن	9,1 كجم (20,0 رطل)	2,3 كجم (5,0 رطل)	1,8 كجم (4,0 رطل)

السلامة والامتثال التنظيمي

إن وحدة Acoustimass II من Bose FreeSpace-3 ومكبرات الصوت الصغيرة المركبة على مستوى الحائط مدرجة ضمن معيار UL للسلامة على أنها:

مكبرات صوت تستخدم لأغراض عامة وفق معيار UL1480، فئة UEAY ضمن UL، رقم الملف S 5591

مناسبة للاستخدام في الداخل في الأماكن الرطبة.

مناسبة للتركيب باستخدام طرق توصيل الأسلاك من الفئة 1 أو الفئة 2 أو الفئة 3 بما يتوافق مع NFPA 70 المواصفات القياسية الكهربائية الأمريكية، العام 2002، المادة 640

مناسبة للاستخدام في أماكن التهوية التي تتم فيها معالجة الهواء بجهاز التهوية النفاخ عند استخدامها مع ملحقات غطاء جهاز التهوية النفاخ PC-FS3B و PC-FS3F:

UL-2043، اختبار الحريق وإطلاق دخان مرني للمنتجات المنفصلة وملحقاتها المركبة في أماكن معالجة الهواء

NFPA-70، المواصفات القياسية الكهربائية الأمريكية، العام 2002، المادة 300.22 (ج)

NFPA 90A، العام 2002، تركيب أجهزة تكييف الهواء وأنظمة التهوية، الفقرة 4.3.10.2.6.5

UL الموصوفة في هذا الدليل غير مدرجة ضمن معيار Bose من FreeSpace 3 إن مكبرات الصوت الصغيرة المركبة على السطح



معلومات هامة حول التركيب



يتحمل فني التركيب المتخصص مسؤولية ضمان تنفيذ عملية تركيب مكبرات الصوت ونظام التثبيت بالتوافق مع كل القوانين المعمول بها، بما في ذلك قوانين ولوائح البناء المحلية. يرجى مراجعة السلطات المحلية صاحبة الاختصاص قبل تركيب هذا المنتج.

تقع على عاتق فني التركيب مسؤولية ضمان سلامة عملية تركيب مكبر الصوت. قد يؤدي عدم تركيب مكبر الصوت بالطريقة المناسبة إلى إلحاق الضرر أو وقوع الإصابات أو حتى إلى الوفاة.

تجنب تركيب المنتج في مواقع قد يتعرض فيها للماء أو التكتاف.

هذا المنتج غير مصمم للتركيب أو الاستخدام داخل مرافق المياه في الأماكن المغلقة (بما في ذلك، على سبيل المثال لا الحصر، حمامات السباحة الداخلية والحدايق المائية المغلقة وأحواض الاستحمام الساخنة وغرف الساونا وغرف البخار وحلبات التزلج الداخلية).

لا تقم بسد أي فتحات للتهوية. ركب المنتج وفقاً لإرشادات الشركة المُصنِّعة.

لا تترك المنتج بالقرب من أي مصادر للحرارة، مثل أجهزة التدفئة أو فتحات التدفئة أو المواقد أو غيرها من الأجهزة (بما في ذلك مضخّات الصوت) التي ينتج عنها حرارة. أبقِ المنتج بعيداً عن مصادر اللهب والحرارة. يجب عدم وضع أية مصادر للهب المكشوف، مثل الشموع المشتعلة، فوق المنتج أو بالقرب منه.

لا تقم بالتركيب على أسطح غير قوية أو توجد خلفها مخاطر خفية، مثل الأسلاك الكهربائية أو أنابيب المياه. إذا لم تكن متأكدًا من كيفية تركيب الكتيبة، فاتصل بفني تركيب محترف مؤهل. احرص على تركيب الكتيبة وفقاً لقوانين البناء المحلية.

لا يتم إرفاق أجهزة تثبيت مكبر الصوت على سطح التركيب. استشر فني إنشآت للتعرف على أجهزة التركيب المناسبة قبل تركيب مكبر الصوت.

لا تعرض مكبر الصوت أو مكونات التركيب لأي مواد كيميائية غير التي تحددها شركة Bose، بما في ذلك على سبيل المثال لا الحصر مواد التزييت أو مواد التنظيف أو بخاخات التلامس، أو غيرها من المذيبات ذات القاعدة الهيدروكربونية. فقد يؤدي التعرض لمواد مماثلة إلى تحلل المواد البلاستيكية، مما قد يتسبب بتصدع المنتج في وقت مبكر ويخطر السقوط.

خيارات التركيب

وحدة صوت باس Acoustimass السلسلة II

العناصر المطلوبة

1 قاعدة مسطحة صلبة لمكبر الصوت باس FreeSpace 3BF أو

2 عارضة ألواح مكبر الصوت باس FreeSpace 3BF

العناصر الاختيارية

3 حزمة التركيب المتدلي لمكبر الصوت باس FreeSpace 3BF

4 حزمة التركيب على السطح لمكبر الصوت باس FreeSpace 3BF

5 غطاء جهاز التهوية النفاخ لمكبر الصوت باس FreeSpace 3BF

6 حزمة التركيب المتدلي في كل الأماكن لمكبر الصوت باس FreeSpace 3BF

مكبرات الصوت الصغيرة المركبة على مستوى الحائط

العناصر المطلوبة

7 قاعدة مسطحة صلبة لمكبر الصوت الصغير FreeSpace 3BF أو

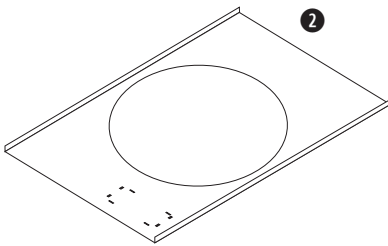
8 عارضة ألواح مكبر الصوت الصغير FreeSpace 3BF

العناصر الاختيارية

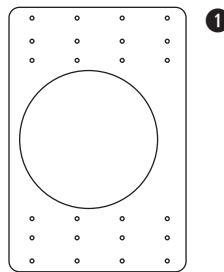
9 أغطية تزيينية لمكبر الصوت الصغير FreeSpace 3BF

مكبرات الصوت الصغيرة المركبة على السطح

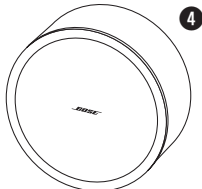
10 حزمة التركيب المتدلي في كل الأماكن لمكبر الصوت FreeSpace



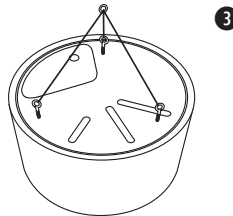
2



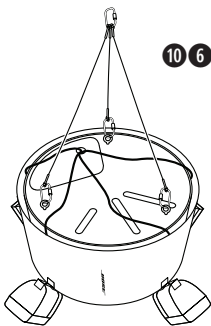
1



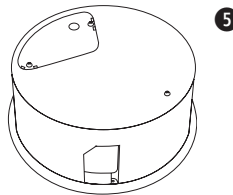
4



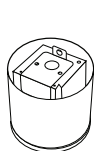
3



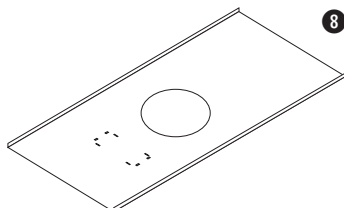
6



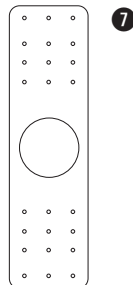
5



9



8



7

توصيل أسلاك مكبرات الصوت

قياس الأسلاك

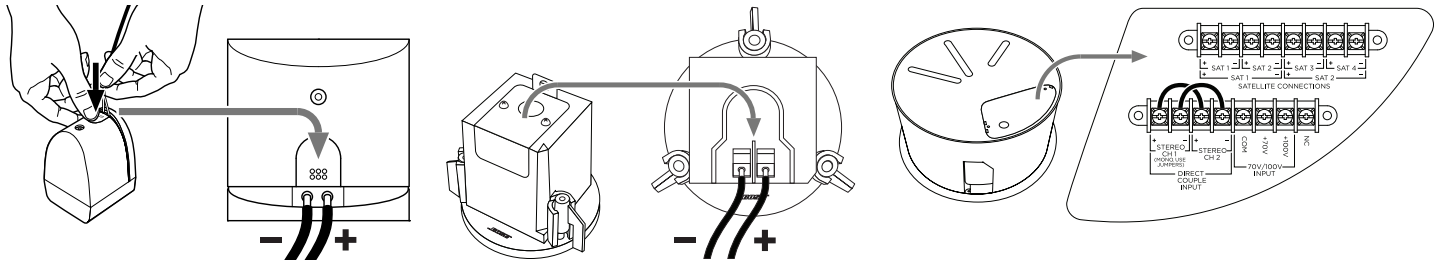
تم تصميم مكبرات الصوت FreeSpace 3 لتعمل بأسلاك مقياس 18 بمقياس السلك الأمريكي (0,8 مم) إلى 14 بمقياس السلك الأمريكي (2,1 مم) فقط.

أطراف الأسلاك

مكبرات الصوت الصغيرة المركبة على السطح: اضغط باستمرار على الزر الموجود على اللوحة الخلفية أثناء إدخال السلك بهدف إدخاله بالكامل.

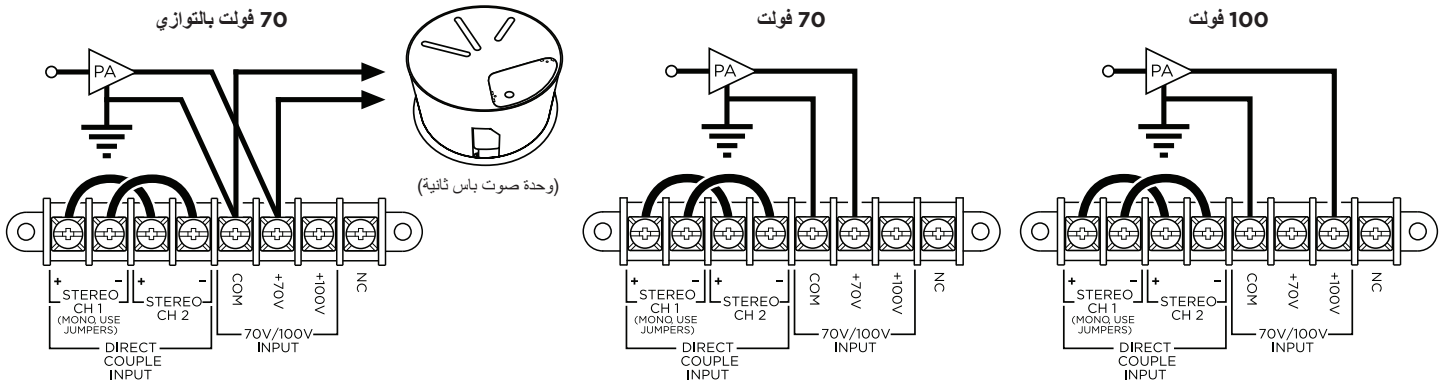
مكبرات الصوت الصغيرة المركبة على مستوى الحائط: قم بإزالة لوحة الغطاء الخلفي للوصول إلى أطراف الأسلاك. أعد تثبيت لوحة الغطاء الخلفي بعد إكمال كل توصيلات الأسلاك.

وحدة صوت باس Acoustimass II: قم بإزالة لوحة الغطاء الخلفي للوصول إلى أطراف الأسلاك. أعد تثبيت لوحة الغطاء الخلفي بعد إكمال كل توصيلات الأسلاك.



توصيل خرج مضخم الصوت

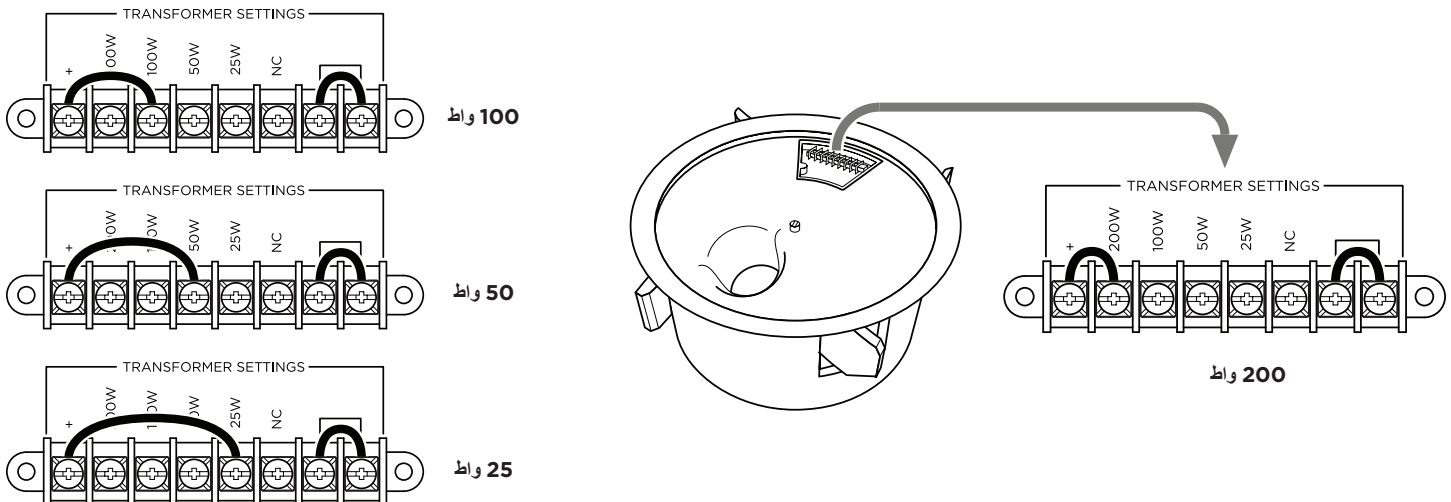
تنبيه: يجب إكمال كل توصيلات الأسلاك قبل توصيل مضخم صوت بالطاقة أو تشغيله.



إعدادات مأخذ المحوّل

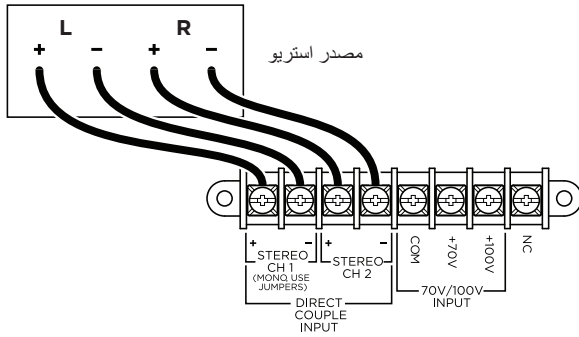
تم إعداد مأخذ المحوّل في المصنع للاستخدام بقدرة 200 واط. لضبطه على جهد أقل، قم بإزالة طرف سلك قطعة التوصيل + المتصل بالطرف بقدرة 200 واط وأعد تثبيته بالمأخذ المناسب: 100 واط، أو 50 واط، أو 25 واط.

ملاحظة: يكون استخدام أسلاك قطع التوصيل ضروريًا للتشغيل على 70 فولت/100 فولت. قم بإزالة سلكي القطعتي التوصيل للتشغيل على 6 أوم (تجاوز المحوّل/مباشر).



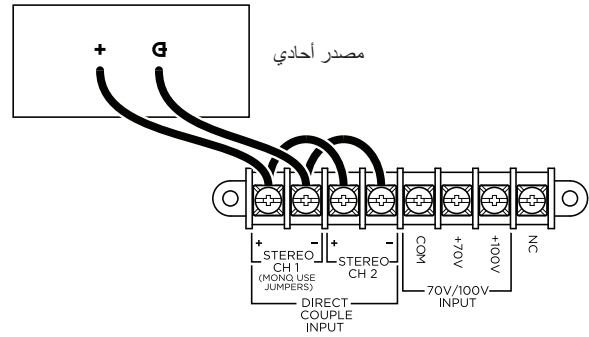
تجاوز المحوّل (استريو مباشر)

في حال أردت تجاوز المحوّل وتحضير مكبر الصوت للاستخدام على 6 أوم ودخل صوت استريو، قم بإزالة كل أسلاك القطع.



تجاوز المحوّل (أحادي مباشر)

في حال أردت تجاوز المحوّل وتحضير مكبر الصوت للاستخدام على 4 أوم ودخل صوت أحادي، قم بإزالة قطعتي التوصيل من إعدادات المحوّل الموجودة على الجهة الأمامية من مكبرات الصوت. اترك قطعتي توصيل الدخل لـ CH2 و CH1 على الجهة الخلفية من مكبر الصوت كما هما.



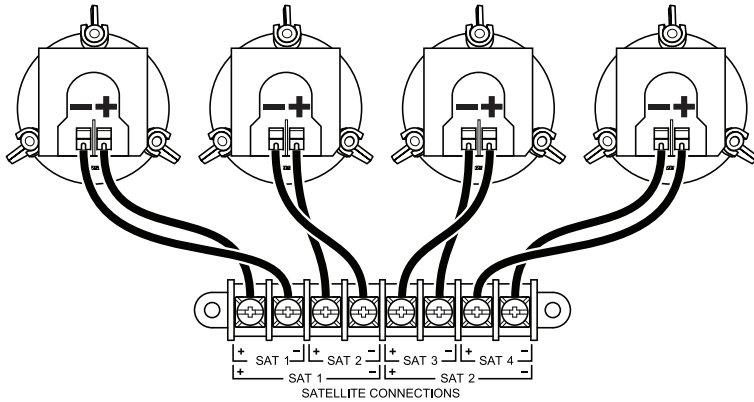
توصيل مكبر الصوت الصغير

تنبيه: لا تقم بتوصيل أي مكبرات صوت غير مكبرات الصوت الصغيرة FreeSpace 3 مباشرة بالوحدة.

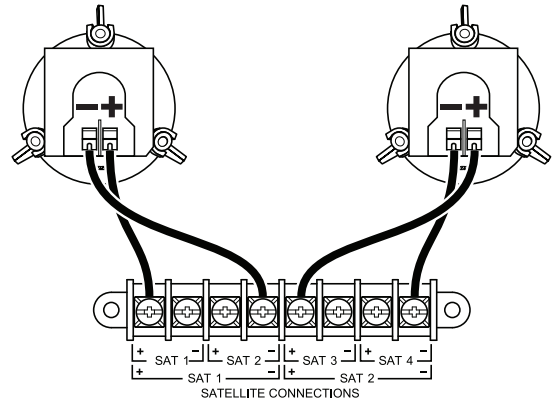
قم بتوصيل وحدة صوت باس Acoustimass السلسلة FreeSpace 3 II بمكبرات الصوت الصغيرة المركبة على مستوى الحائط أو مكبرات الصوت الصغيرة المركبة على السطح FreeSpace 3. (في هذه الصفحة، يتم عرض وحدة Acoustimass السلسلة II متصلة بمكبرات الصوت الصغيرة المركبة على مستوى الحائط. يمكنك استبدال مكبرات الصوت الصغيرة المركبة على مستوى الحائط بأي مكبرات صوت صغيرة مركبة على مستوى الحائط، طالما يتم توصيلها وفقاً للقطبية الصحيحة).

يمكنك استخدام وحدة Acoustimass السلسلة FreeSpace 3 II مع مكبرات صوت أخرى من Bose، على سبيل المثال لا الحصر طرازات FreeSpace أو DesignMax أو Panaray. في هذه الحالة، يجب توصيل مكبرات الصوت والوحدة مباشرة بمضخم الصوت عبر قنوات منفصلة. تأكد من أنك تطبق تصفية تمرير النطاق المناسبة و/أو التوازن الموصى به (إن وجد) على كل مكبرات الصوت الأخرى. تفضل بزيارة PRO.BOSE.COM وراجع ورقة البيانات الفنية لكل طراز.

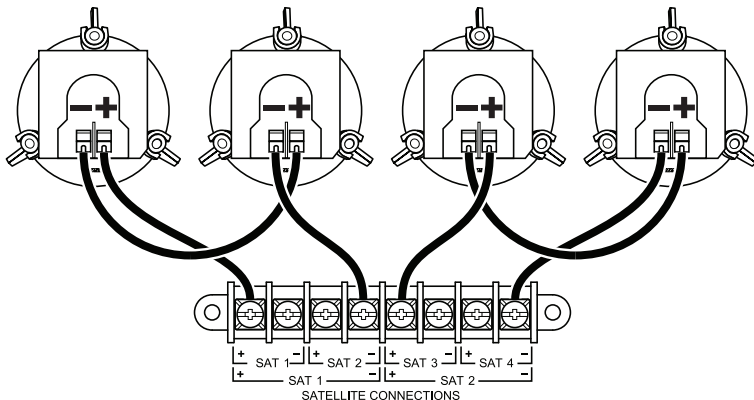
4 مكبرات صوت صغيرة



مكبر صوت صغيران



4 مكبرات صوت صغيرة (أسلوب بديل، طريقة التوصيل على شكل سلسلة)



تحضير التركيب

موضع مكبر الصوت

ملاحظة: يؤدي التركيب بالقرب من أسطح الطهو حيث قد يتعرض مكبر الصوت مباشرة لزيوت الطهو أو البخار أو الحرارة العالية، مثل أماكن الطهو التجارية، إلى تقليل أداء مكبر الصوت أو موثوقيته.

استخدام كبل الأمان

تتطلب بعض قوانين البناء الإقليمية استخدام طريقة ثانوية لتثبيت مكبرات الصوت بإحكام، بهدف دعم الهياكل وتوفير مستوى إضافي من الأمان. اختر وضعية وطريقة ومعدّات للتركيب متوافقة مع قوانين ولوائح البناء المحلية.

توصي Bose باستخدام سلك أمان أو كبل أمان كإلية تثبيت ثانوية لوحدة صوت باس Acoustimass II ومكبرات الصوت الصغيرة المركبة على مستوى الحائط. اتبع إرشادات الجهة المصنعة عند استخدام أي آلية تثبيت ثانوية.

يحتوي كل طراز مكبر صوت على نقطة تثبيت محتملة واحدة أو أكثر:

- وحدة صوت باس Acoustimass II قم بإزالة برغي من النوع M6 عن لوحة الغطاء الخلفي وثبت كبل أمان في فتحة البرغي تلك.
مكبرات الصوت الصغيرة المركبة على مستوى الحائط ثبت كبل أمان بالفتحة الموجودة على المأخذ المعدني في لوحة الغطاء الخلفي.

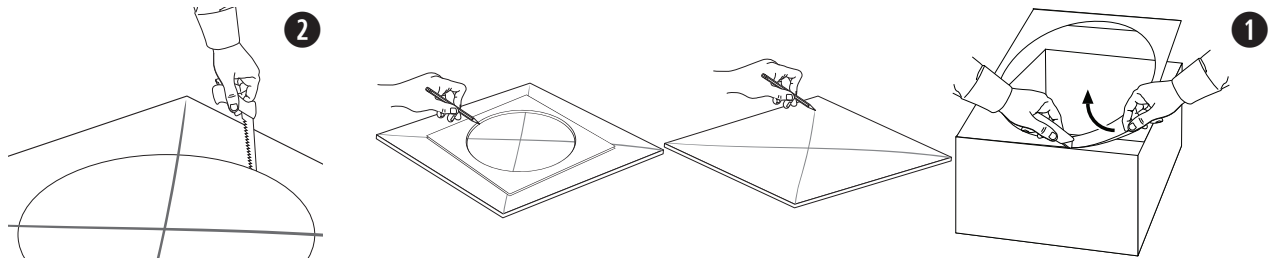
تحضير السقف والملحقات

قبل تركيب وحدة صوت باس أو مكبرات الصوت الصغيرة، اتبع الإرشادات لتحضير السقف وأي ملحقات قد تستخدمها في عملية التركيب. راجع خيارات التركيب (الصفحة 104) للحصول على قائمة بالملحقات الضرورية أو الاختيارية لكل طراز مكبر صوت.

تحضير لوح السقف الصوتي

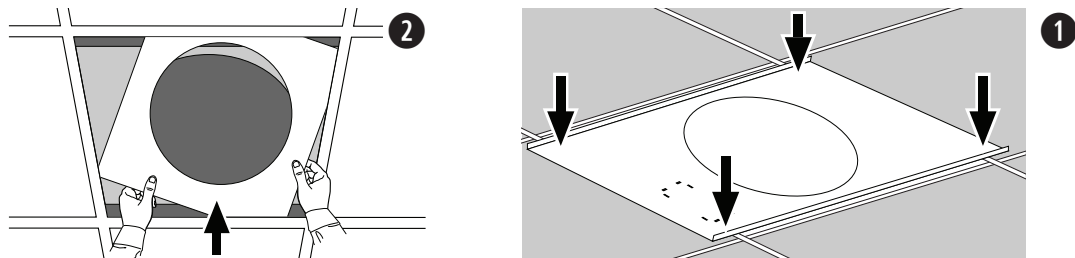
قص لوح السقف

1. قم بإزالة اللوح واستخدم القالب لرسم شكل ثقب مكبر الصوت على اللوح. لمحاذاة القالب في وسط اللوح، ارسم حرف "X" عن طريق توصيل الزوايا قطرياً، ثم ضع القالب في الوسط باستخدام نقطة التقاطع.
2. قم بإجراء ثقب على اللوح.



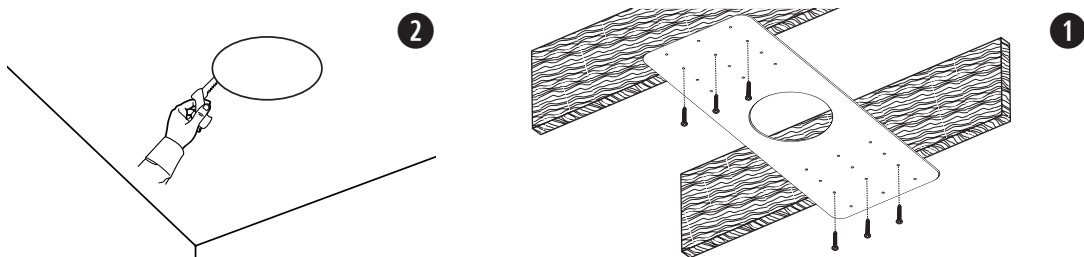
تركيب عارضة الألواح

1. ضغ عارضة الألواح على شبكة السقف. إذا لزم الأمر، اضبط عارضة الألواح حتى تستند القضبان على شبكة السقف.
2. استبدل اللوحة في السقف.



تحضير سقف صلب باستخدام قاعدة مسطحة صلبة (بنية جديدة)

1. تثبت القاعدة المسطحة الصلبة بالأخشاب المحصصة في السقف أو الدعامات الخشبية. تتضمن القاعدة المسطحة الصلبة فتحات متعددة محفورة مسبقاً لاستيعاب مختلف مسافات الدعامات واتجاهات مكبر الصوت ووضعية مكبر الصوت.
2. بعد الانتهاء من تحضير السقف، أحدث ثقباً في السقف الجاهز، مستخدماً القاعدة المسطحة الصلبة كدليل.



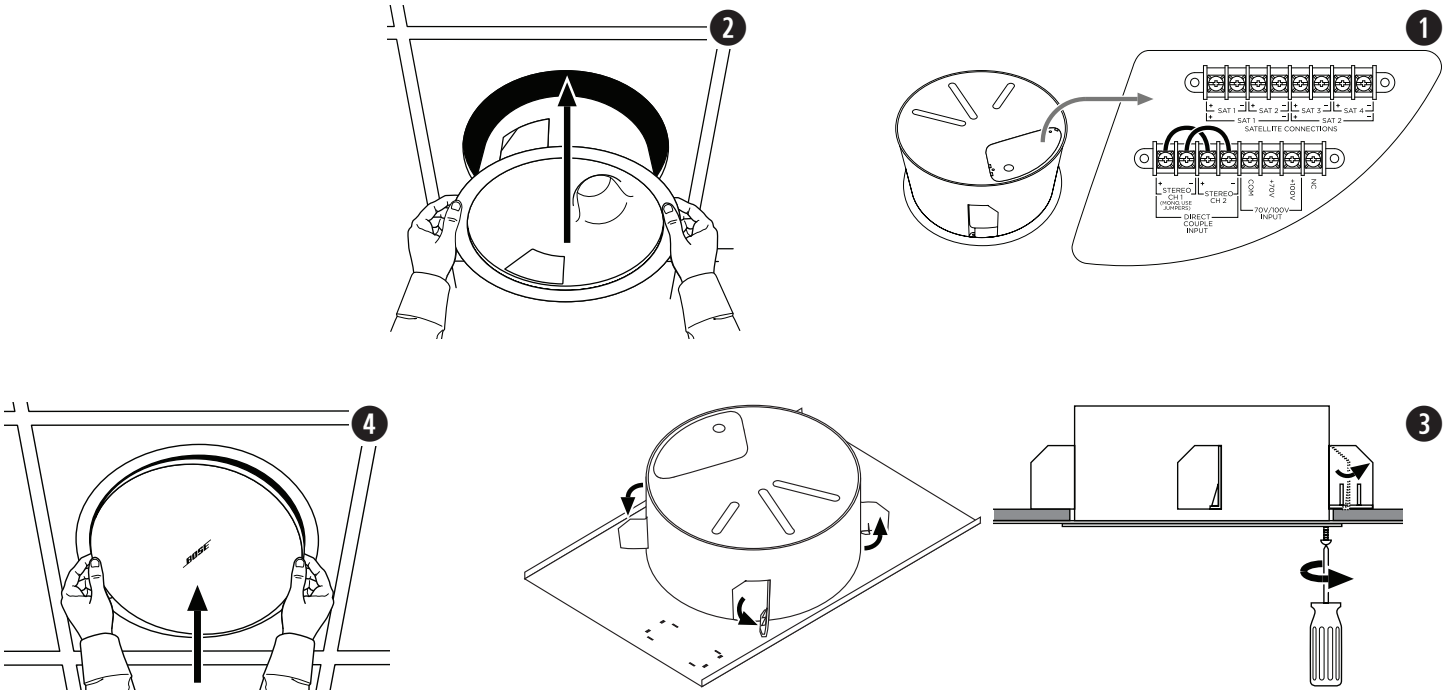
تركيب مكبر الصوت

وحدة صوت باس Acoustimass السلسلة II

1. احرص على إكمال كل توصيلات الأسلاك في مكبرات الصوت. للحصول على معلومات حول توصيل الأسلاك، راجع توصيل أسلاك مكبر الصوت (الصفحة 105).
2. أدخل مكبر الصوت عبر الفتحة وفي عارضة الألواح أو القاعدة المسطحة الصلبة. استمر بتثبيت مكبر الصوت في مكانه.
3. أحكم شد براغي ذراع الخفاف لتثبيت مكبر الصوت في مكانه. إذا كنت تستخدم مثقابًا آليًا، فقم بتعيين الإعداد إلى مستوى عزم منخفض. احرص على شد كل الخفافات قبل إفلات مكبر الصوت من يدك. **تحذير:** قد يؤدي شد البراغي بشكل مفرط إلى إلحاق ضرر بنقطة تثبيت الخفاف أو السقف، ما قد يتسبب بخطر السقوط.



4. باستخدام كلتا اليدين، ضع الحاجز الشبكي على مكبر الصوت. ادفع الحاجز الشبكي برفق على مكبر الصوت لتثبيته. يمكنك تدوير الشعار عندما يصبح الحاجز الشبكي ثابتًا.

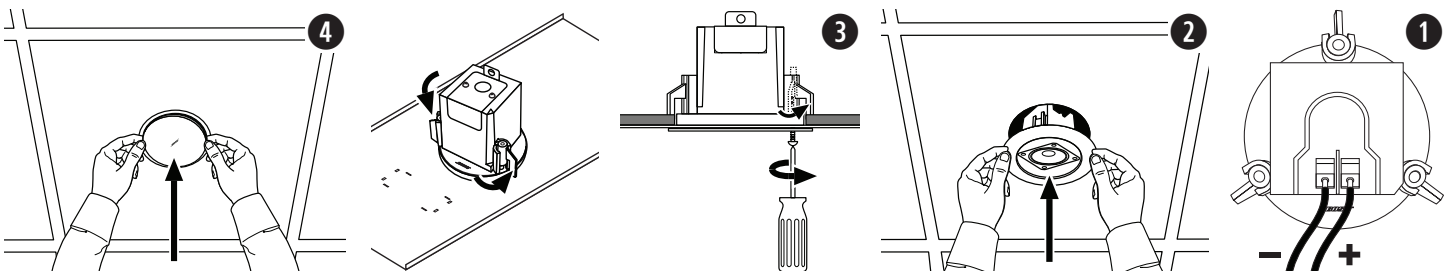


مكبرات الصوت الصغيرة المركبة على مستوى الحائط

1. احرص على إكمال كل توصيلات الأسلاك في مكبرات الصوت. للحصول على معلومات حول توصيل الأسلاك، راجع توصيل أسلاك مكبر الصوت (الصفحة 105).
2. أدخل مكبر الصوت عبر الفتحة وفي عارضة الألواح أو القاعدة المسطحة الصلبة. استمر بتثبيت مكبر الصوت في مكانه.
3. أحكم شد براغي ذراع الخفاف لتثبيت مكبر الصوت في مكانه. إذا كنت تستخدم مثقابًا آليًا، فقم بتعيين الإعداد إلى مستوى عزم منخفض. احرص على شد كل الخفافات قبل إفلات مكبر الصوت من يدك. **تحذير:** قد يؤدي شد البراغي بشكل مفرط إلى إلحاق ضرر بنقطة تثبيت الخفاف أو السقف، ما قد يتسبب بخطر السقوط.

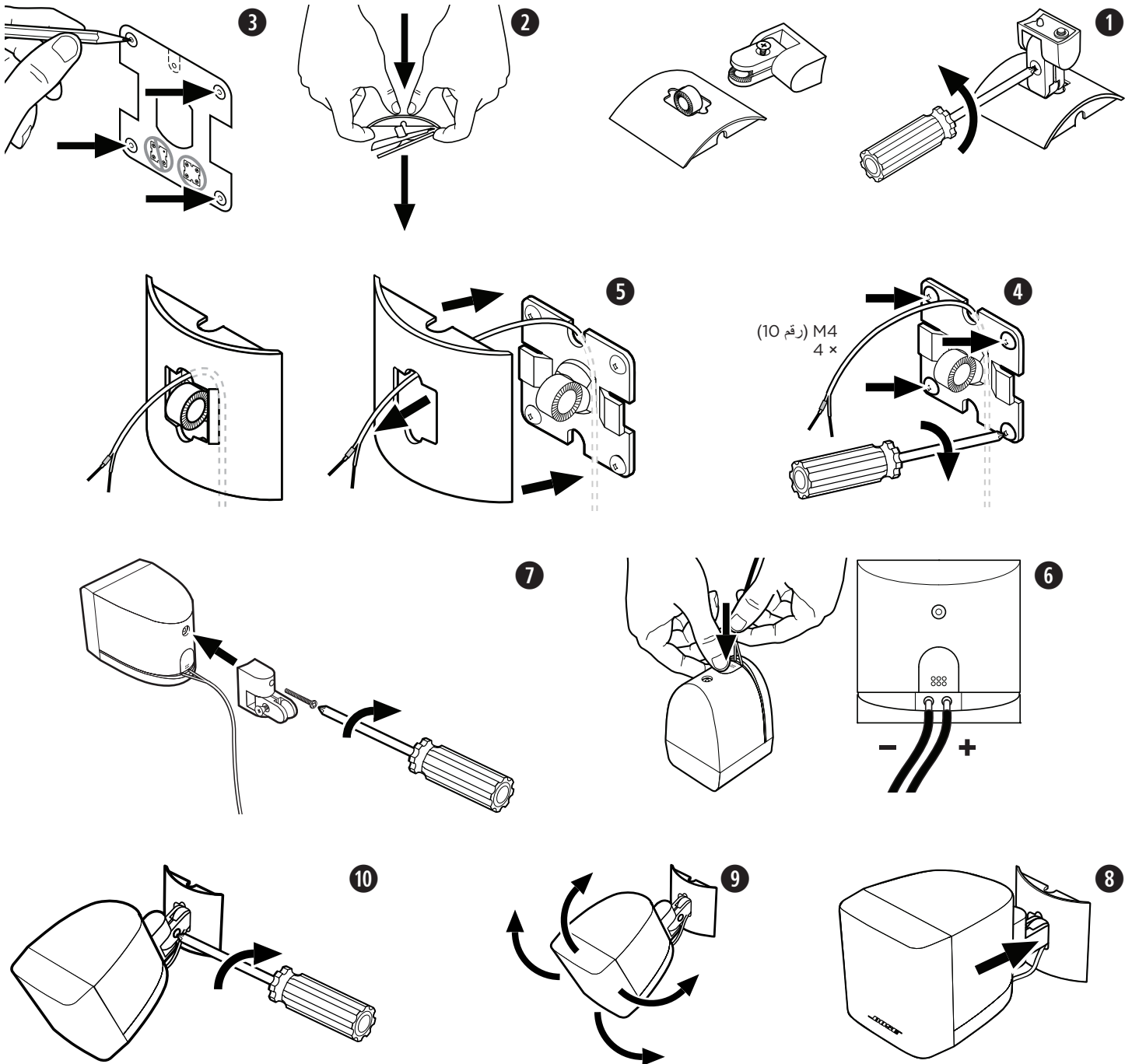


4. باستخدام كلتا اليدين، ضع الحاجز الشبكي على مكبر الصوت. ادفع الحاجز الشبكي برفق على مكبر الصوت لتثبيته.



مكبرات الصوت الصغيرة المركبة على السطح

1. قم بإرخاء البرغي الذي يصل ذراع مكبر الصوت بكتيفة التثبيت على الحائط وافصل الجزأين عن بعضهما.
2. افصل اللوحة الخلفية عن غطاء كتيفة التثبيت على الحائط.
3. استخدم القالب لوضع علامة في وسط فتحات البراغي الأربعة كافة على الحائط.
4. أدخل أربعة براغ من النوع M4 (رقم 10) لتوصيل لوحة كتيفة التثبيت على الحائط بالحائط. تأكد من محاذاة النقطة حيث يوجد سلك مكبر الصوت على الحائط مع الزر الموجود على اللوحة.
5. أعد تثبيت غطاء الكتيفة المثبت على الحائط باللوحة، ومرر سلك مكبر الصوت عبر الفتحة الوسطى في غطاء الكتيفة المثبت على الحائط.
6. قم بتوصيل السلك بمكبر الصوت. للحصول على معلومات حول توصيل الأسلاك، راجع توصيل أسلاك مكبر الصوت (الصفحة 105).
7. استخدم البرغي المضمن لتثبيت ذراع مكبر الصوت بالفتحة اللولبية الموجودة على اللوحة الخلفية لمكبر الصوت.
8. ضغ ذراع مكبر الصوت على الكتيفة المثبتة على الحائط عبر محاذاة جزأي وصلة التدوير (التي قمت بفصلها في الخطوة 1).
9. عتل الزوايا العمودية والأفقية لمكبر الصوت بحسب رغبتك.
10. أدخل البرغي (الذي قمت بإزالته في الخطوة 1) في وصلة التدوير. شد البرغي لتثبيت مكبر الصوت على الكتيفة المثبتة على الحائط على الزاوية المطلوبة.





263579-0020

©2022 Bose Corporation, All rights reserved.
Framingham, MA 01701-9168 USA
PRO.BOSE.COM
AM263579 Rev. 04
May 2022

