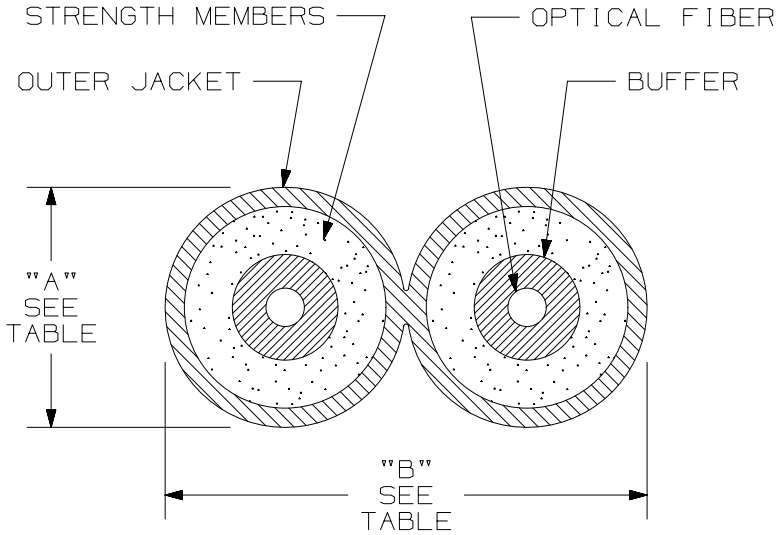


THIS COPY IS PROVIDED ON A RESTRICTED BASIS AND IS NOT TO BE USED IN ANY WAY DETRIMENTAL TO THE INTERESTS OF PANDUIT CORP.



WEIGHT OF 2.5km REEL/BOX	
OFNP	OFNR
55.5 kg (122.3 lbs)	51.9 kg (114.4 lbs)

TYPE/DESCRIPTION	COLOR	MAXIMUM LOSS
MULTIMODE 50/125um 10GbE DUPLEX ZIPCORD INTERCONNECT CABLE W/900um TIGHT BUFFER	AQUA	3.5 dB/KM @ 850nm 1.5 dB/KM @ 1300nm

PLENUM - FOIPX02Y			
TENSILE LOAD		BEND RADIUS	
INSTALLATION	LONG TERM	INSTALLATION	LONG TERM
220 N (50 lbf)	55 N (12.5 lbf)	58 mm (2.3 in)	29 mm (1.1 in)
CABLE DIMENSIONS		TEMPERATURE	
"A" = 2.9mm [.11"] "B" = 5.9mm [.23"]		INSTALLATION/OPERATION	STORAGE
		0°C TO +50°C 32°F TO +122°F	-40°C TO +65°C -40°F TO +149°F

RISER RATED - FOIRX02Y			
TENSILE LOAD		BEND RADIUS	
INSTALLATION	LONG TERM	INSTALLATION	LONG TERM
220 N (50 lbf)	55 N (12.5 lbf)	58 mm (2.3 in)	29 mm (1.1 in)
CABLE DIMENSIONS		TEMPERATURE	
"A" = 2.9mm [.11"] "B" = 5.9mm [.23"]		INSTALLATION/OPERATION	STORAGE
		-20°C TO +50°C -4°F TO +122°F	-40°C TO +65°C -40°F TO +149°F

NOTES:

1. DIAMETER DIMENSION SHOWN FOR REFERENCE ONLY.
2. CABLE SUPPLIED IN 2500 METER (8202 FT) LENGTHS.
3. FOR PART NUMBERS AND LENGTHS OTHER THAN THOSE SHOWN, CONTACT YOUR PANDUIT SALES PERSON.
4. ALL MATERIALS AND COMPONENTS USED MUST MEET THE MATERIAL RESTRICTIONS OF RoHS, (EUROPEAN DIRECTIVE 2011/65/EU ON THE RESTRICTIONS OF HAZARDOUS SUBSTANCES) AS PROPOSED BY THE RoHS TECHNICAL ADAPTATION COMMITTEE.

PART NUMBER	FOIPX02Y, FOIRX02Y				
TITLE	MULTIMODE 50/125um OPTI-CORE 10Gb/s OPTI-CORE 10GIG DUPLEX ZIPCORD INTERCONNECT CABLE W/900um TIGHT BUFFER				
	CUSTOMER DRAWING				
ITEM REVISION NAME	M02055BC/01	PANDUIT			
DATASET FILE NAME	M02055BC_DC_2Z-10G/01A				
	UNLESS OTHERWISE SPECIFIED, DIMENSIONAL TOLERANCES ARE: IN (mm)	MATERIAL:			
	.X ± .XX ±	.XXX ± ANGLES ±			
		THIRD ANGLE PROJECTION			
		DRAWING NUMBER: 02055-17			
DRAWN BY	DATE	CHK	SCALE	DRAWING NUMBER	SIZE
MC	08-26-04	WMA	NONE	SHT 1 OF 1	A

REV	DATE	BY	CHK	APR	DESCRIPTION	ECN
2	8/26/15	JSP	WJM	JGSW	A. UPDATED DRAWING TITLE BLOCK.	02055-17

D10100DA/14