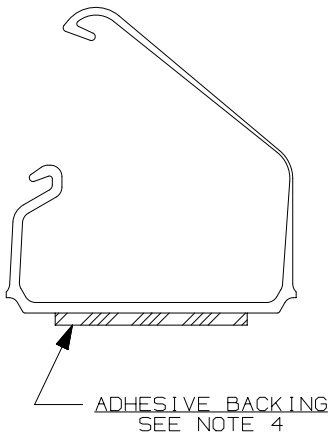


THIS COPY IS PROVIDED ON A RESTRICTED BASIS AND IS NOT TO BE USED IN ANY WAY DETRIMENTAL TO THE INTERESTS OF PANDUIT CORP.

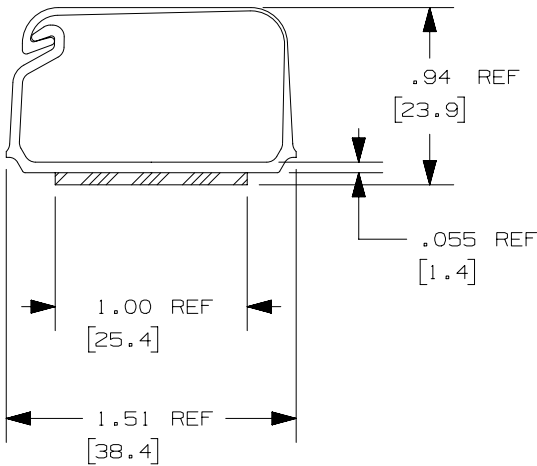
OPEN VIEW



PART NAME	PANDUIT PART NUMBER (SEE NOTE 1)	LENGTH in. (mm.)	STATIC LOAD (SEE NOTE 2)	APPROX. WEIGHT
LATCHING DUCT	LD10**6-A	72.0±.13 (1829±3.3)	.61 lbs/in (10.9 g/mm)	.122 lbs/ft (.182 g/mm)
	LD10**8-A	96.0±.13 (2438±3.3)	.61 lbs/in (10.9 g/mm)	.122 lbs/ft (.182 g/mm)
	LD10**10-A	120.0±.13 (3048±3.3)	.61 lbs/in (10.9 g/mm)	.122 lbs/ft (.182 g/mm)

NOTES:

- VISIT OUR ON-LINE CATALOG AT WWW.PANDUIT.COM FOR A LIST OF ADDITIONAL PART NUMBER SUFFIXES TO INDICATE COLOR AND/OR PACKAGE QUANTITY.
- PART IS DESIGNED TO SUPPORT MAXIMUM WEIGHT ON A CLEAN, DRY, SMOOTH SURFACE. THE SURFACE MUST BE PROPERLY PREPARED IN ACCORDANCE WITH PANDUIT RECOMMENDATIONS.
- PANDUIT RECOMMENDATIONS:
  - IT IS RECOMMENDED THAT PANDUIT ADHESIVE TAPE BE APPLIED ON SURFACES WHOSE TEMPERATURE IS APPROXIMATELY 70°F (21°C) OR HIGHER FOR THE INITIAL BOND.
  - THE OPTIMUM RECOMMENDED DWELL TIME PRIOR TO LOADING FOR RUBBER ADHESIVE IS TWO HOURS.
  - PANDUIT TAPE SHOULD BE APPLIED TO A CLEAN, DRY, GREASE-FREE SURFACE WITH SUFFICIENT PRESSURE TO ASSURE GOOD ADHESIVE CONTACT. AVOID ADHESIVE CONTAMINATION WITH FOREIGN MATERIAL BY CLEANING WITH AN ISOPROPYL ALCOHOL OR A DEGREASER.
- PRESSURE SENSITIVE FOAM .040 [1.0] THICK WITH PROTECTIVE LINER.
- TO APPLY PART:
  - REMOVE PROTECTIVE LINER.
  - PLACE PART IN DESIRED LOCATION.
  - APPLY PRESSURE TO FLAT SURFACE OF PART.
- NO WARRANTY, EXPRESSED OR IMPLIED, IS MADE BY PANDUIT WITH RESPECT TO ADHESIVE BOND PERFORMANCE. THE CONDITIONS UNDER WHICH THESE MOUNTS MAY BE APPLIED AND/OR THE SURFACE TO WHICH THEY ARE APPLIED ARE BEYOND PANDUIT'S CONTROL.
- DIMENSIONS IN METRIC ARE IN [ ].



PART NUMBER		LD10		
TITLE		LATCHING DUCT		
		CUSTOMER DRAWING		
ITEM REVISION NAME		D17832BA/04		
DATASET FILE NAME		D17832BA_DC_LD10/04C		
		THIRD ANGLE PROJECTION		
MATERIAL		PVC		
DRAWING NUMBER		SS-17832		
REV	DATE	BY	CHK	APR
04C	5-13-22	BJN	BSN	TAM
04B	6-28-21	BJN	BSN	BETL
DESCRIPTION		ECN		
REMVD 2-A AND 3-A PART NUMBERS FROM TABLE		M09000QE		
UPDATED NOTES		SS-17832		
REV	DATE	BY	CHK	APR
DESCRIPTION		ECN		

A-SIZE CUSTOMER