

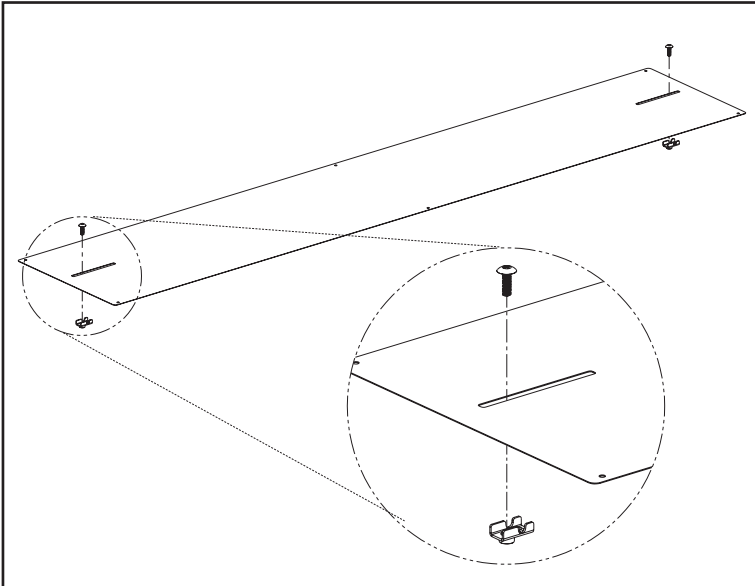
PANDUIT WIRE BASKET STEEL TRAY LINER

Part Numbers: PWBTL4**, PWBTL6**, PWBTL8**
PWBTL12**, PWBTL18**, PWBTL24**

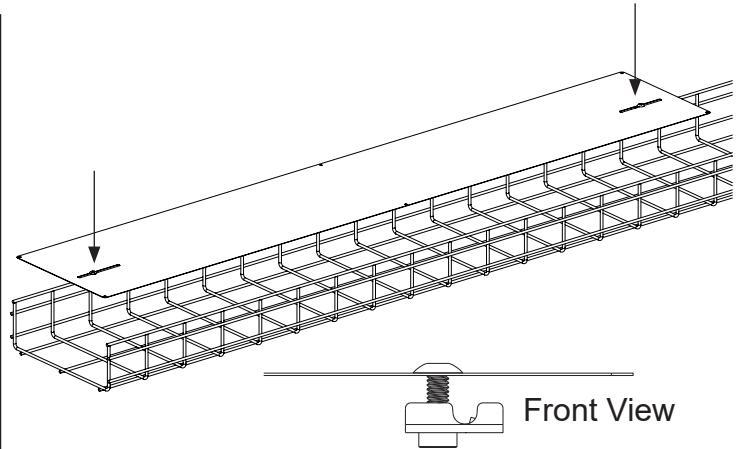
©Panduit Corp. 2021

INSTALLATION INSTRUCTIONS

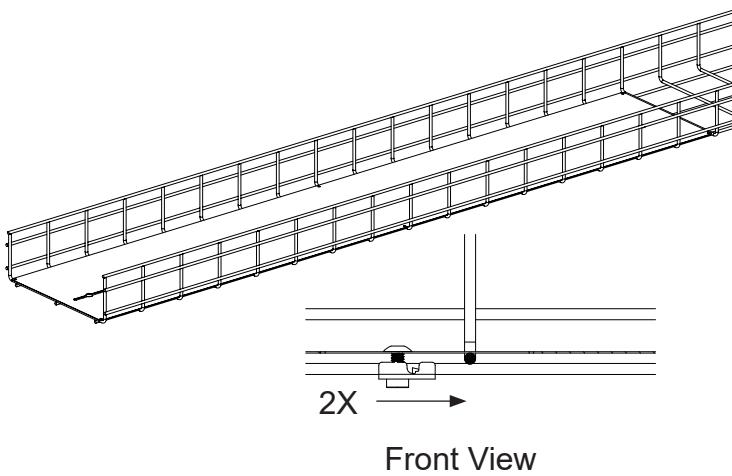
FS184



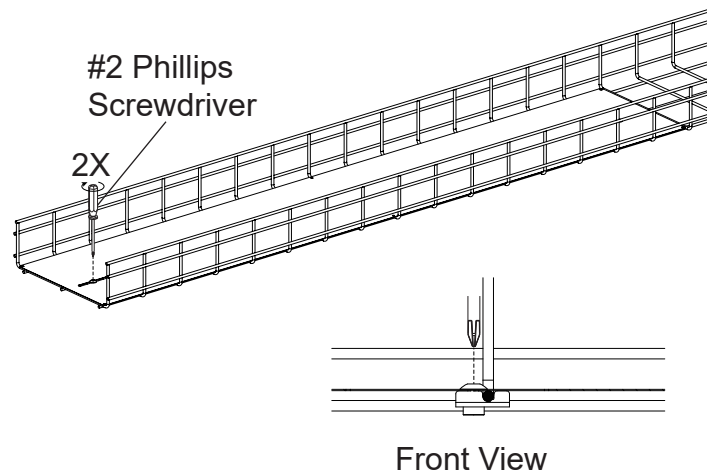
PWBTL12** SHOWN



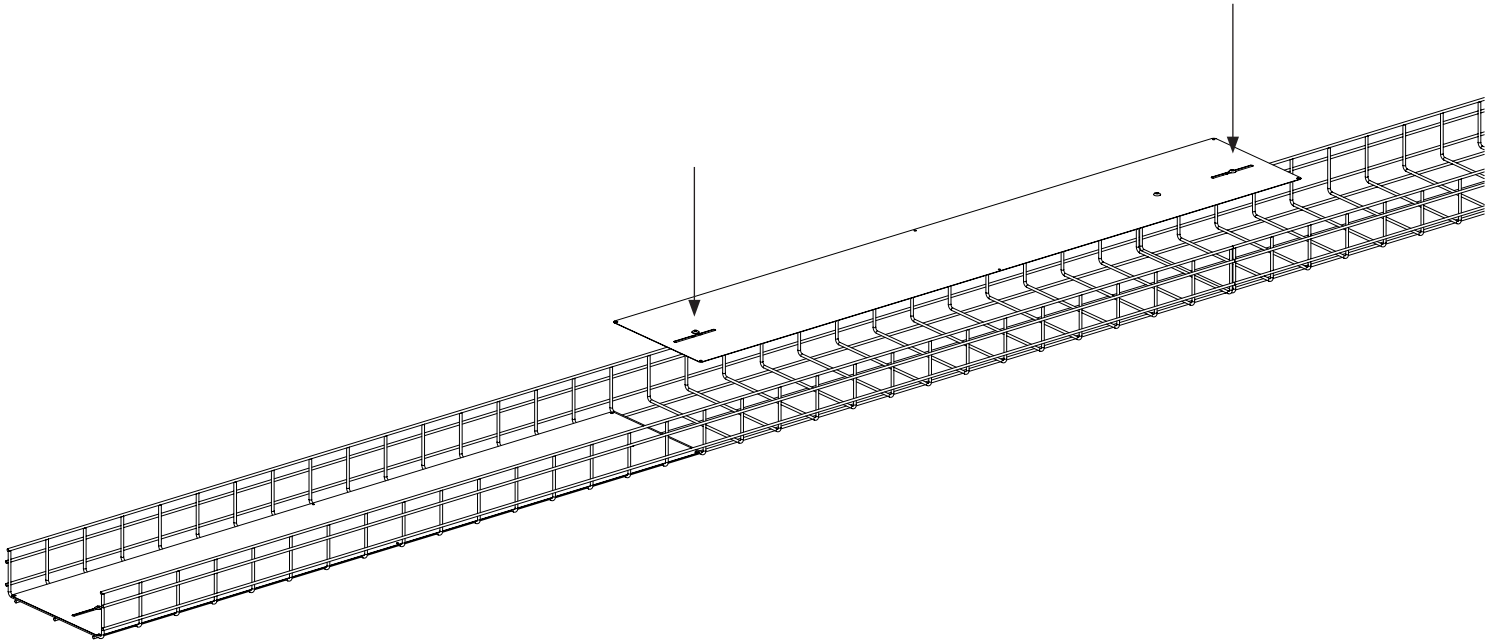
Loosely install 2 clips into the slots of the Tray Liner and place onto Pathway.



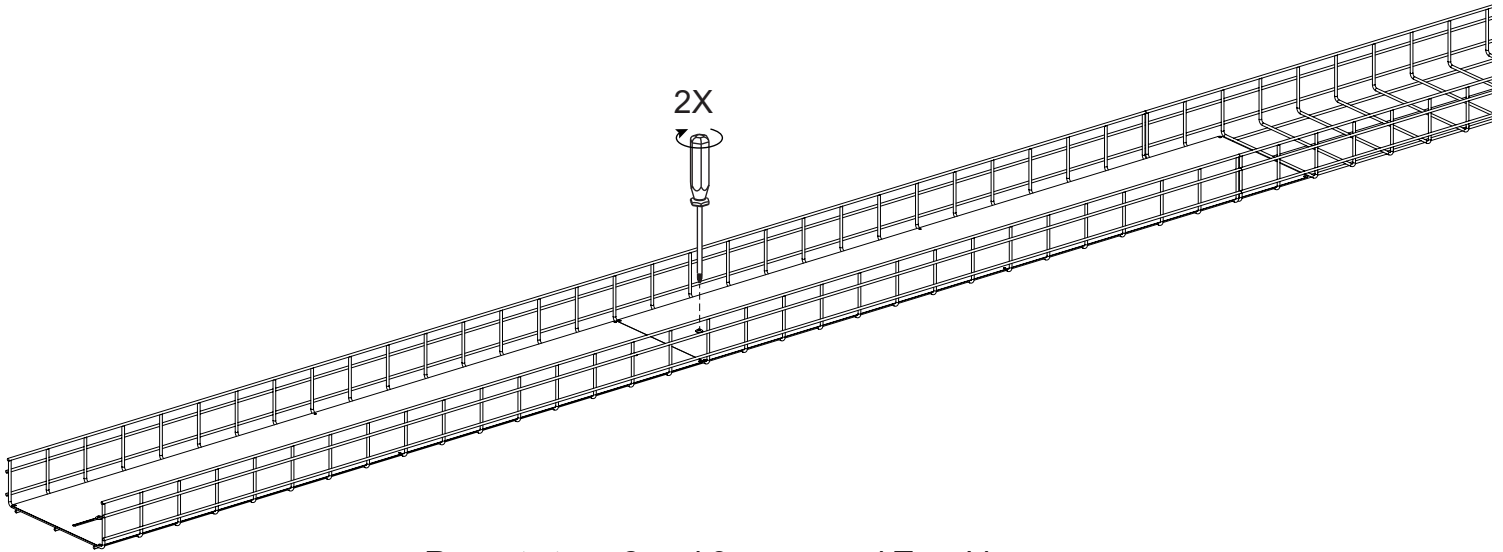
Slide the 2 clips onto the cross wires of the pathway.



Tighten the screws to a torque of 75 lbs-IN (8.5 N-m) to ensure effective bonding.



Repeat step 1, butting the second Tray Liner up to the previously installed Tray Liner.



Repeat steps 2 and 3 on second Tray Liner.