

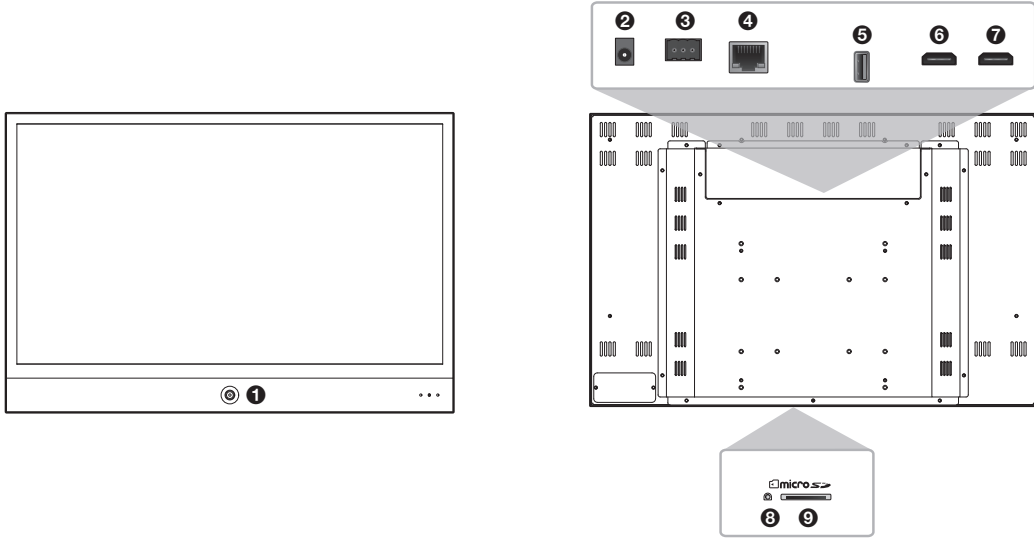
Quick Start Guide

SMT-3231PV/SMT-3221PV/SMT-2731PV/SMT-2721PV

Package Contents

Monitor / Quick Start Guide / Alarm terminal block / Remote Controller / Battery / Power Inverter Harness

Names and functions of each part

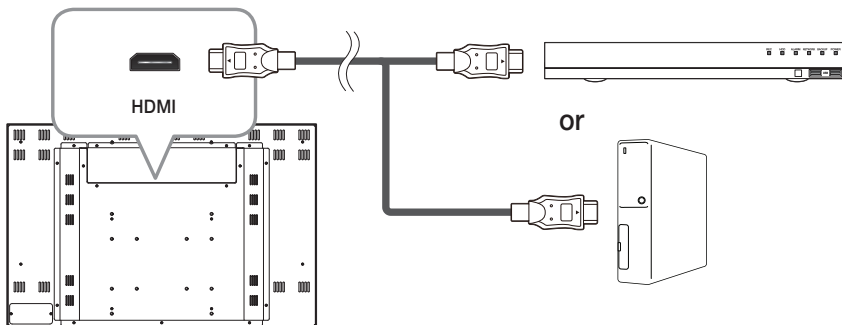


- ❶ Lens
- ❷ DC 24V
- ❸ ALARM
- ❹ HPoE
- ❺ USB
- ❻ HDMI1
- ❼ HDMI2
- ❽ RESET
- ❾ Micro SD card slot

※ PIP/PBP mode supports only the SMT-2731PV, SMT-3231PV

Connecting external devices

- Connecting the HDMI cable



- Connecting the LAN cable

